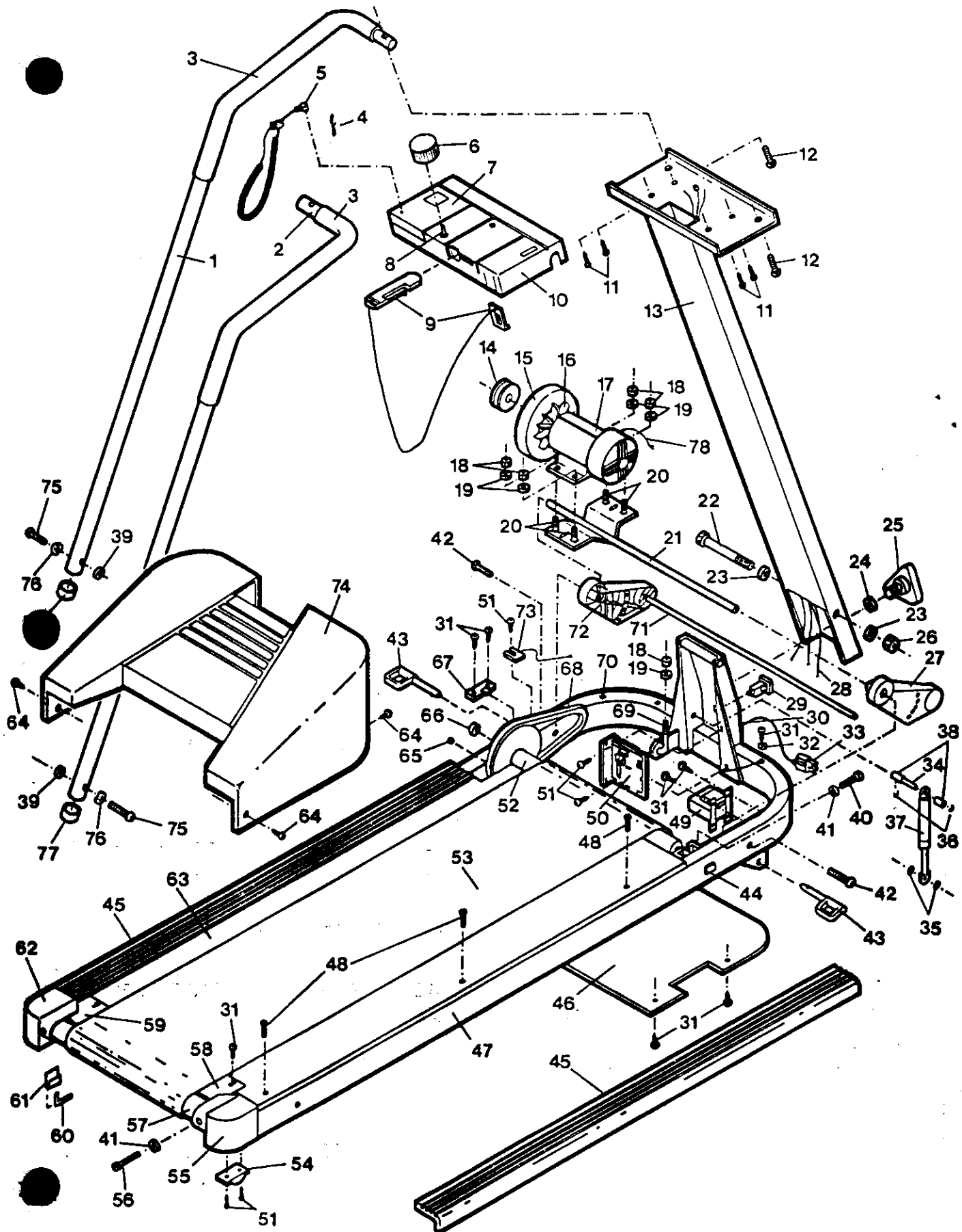


# EXPLODED DRAWING - Model No. 831.296382

Rev. 10/90

Specifications are subject to change without notice.



MODEL NUMBER: 29638  
 VERSION: 02  
 PRODUCT NAME: 29638  
 PRODUCT DESC:

MODEL/PART BOOK LISTING

PAGE 1  
 INI023P1  
 RUN DATE: 2/08/97  
 RUN TIME: 7:38:15

KEY NUMBER	PART NUMBER	DESCRIPTION	QUANTITY
1	102180	LEFT SIDE RAIL W/FOAM	1
	.	104651 LEFT SIDE RAIL	1
	.	041068 FOAM GRIP	1
	.	040132 ENDCAP	1
2	102181	RIGHT SIDE RAIL W/FOAM	1
	.	101105 RIGHT SIDE RAIL	1
	.	041068 FOAM GRIP	1
	.	040132 ENDCAP	1
3	041068	FOAM GRIP	1
4	054013	CLOTHES CLIP	2
5	119946	PULSE EARCLIP	1
6	100014	SPEED CONTROL KNOB	1
7	128684	ELECTRONIC MONITOR	1
8	031122	SPEED POTENTIOMETER ASSY	1
9	070853	SAFETY KEY/CLIP	1
10	102476	CONSOLE	1
11	013322	CONSOLE MOUNTING SCREW	1
12	013522	SHORT SIDE RAIL BOLT	4
13	007100	UPRIGHT POST	2
14	100967	MOTOR PULLEY	1
15	021048	FLYWHEEL	1
16	031226	FAN	1
17	105796	MOTOR ASSEMBLY	1
	.	101629 MOTOR	1
	.	104906 PULLEY/FLYWHL/FAN	1
18	012082	MOTOR NUT	1
19	101630	MOTOR WASHER	5
20	013445	MOTOR BOLT	5
21	100582	SWIVEL SHAFT	4
22	013485	HINGE BOLT	1
23	014132	HINGE WASHER	2
24	014156	LOCK KNOB WASHER	2
25	017088	LOCK KNOB	1
26	012149	LOCK NUT	1
27	101754	RIGHT INCLINE LEG	1
28	031231	ON/OFF WIRE	1
29	031036	CIRCUIT BREAKER	1
30	019084	GROMMET	1
31	013162	SCREW	1
32	014157	STAR WASHER	21
33	031229	POWER CORD	1
34	101865	SHOCK PIN	1
35	012133	PUSH NUT	1
36	054016	E-CLIP	2
37	101140	INCLINE SHOCK	2
38	101869	SHAFT SPACER	1
39	014086	SIDE RAIL WASHER	2
40	013275	FRONT ROLLER ADJ. BOLT	2
41	014063	ADJUSTMENT WASHER	1
42	101627	SWIVER SHAFT BOLT	3
43	015055	HITCH PIN	2
44	041043	HOOD CUSHION	2
45	010175	FOOT RAIL	2
46	101867	SAFETY COVER	1

MODEL NUMBER: 29638  
 VERSION: 02  
 PRODUCT NAME: 29638  
 PRODUCT DESC:

MODEL/PART BOOK LISTING

PAGE 2  
 INI023P1  
 RUN DATE: 2/08/97  
 RUN TIME: 7:38:15

KEY NUMBER	PART NUMBER	DESCRIPTION	QUANTITY
47	NSP	FRAME	1
48	013494	LARGE SCREW	6
49	031238	CHOKE	1
50	129854	CONTROLLER W/RI	1
51	013300	SMALL SCREW	5
52	103074	FRONT ROLLER/PULLEY ASSY.	1
53	126254	WALKING BELT ASSEMBLY	1
.	.	124284 WALKING BELT	1
.	.	127860 NAIL	12
.	.	110585 REPLACEMENT INSTR.	1
54	005040	RUBBER PAD	2
55	101360	RIGHT ROLLER BRACKET	1
56	013206	REAR ADJUSTMENT BOLT	2
57	070084	REAR ROLLER	1
58	.	SEE #59	0
59	010206	ROLLER GUARD	2
60	045010	ALLEN WRENCH	1
61	016028	WRENCH CLAMP	1
62	101359	LEFT ROLLER BRACKET	1
63	053025	WALKING PLATFORM	1
64	013511	MOTOR HOOD SCREW	4
65	100498	SENSOR MAGNET	1
66	019110	ROLLER BUSHING	1
67	016050	ROLLER LOCK	1
68	025043	V-BELT	1
69	103855	J-BOLT	1
70	016055	SENSOR WIRE CLIP	4
71	101644	LEG SHAFT	1
72	101753	LEFT FRONT LEG	1
73	115569	SENSOR WIRE/REED SWITCH	1
74	009126	MOTOR HOOD	1
75	013575	LONG SIDE RAIL BOLT	2
76	014094	FORMED WASHER	2
77	040132	SIDE RAIL ENDCAP	2
78	NOT USED		0
#	100959	FRAME DECAL	2
#	NLA	HOOD DECAL	1
#	102718	MONITOR OPERATION GUIDE	1
#	103295	OWNERS MANUAL	1
#	103482	LITERATURE PACKET	1
.	.	103295 OWNERS MANUAL	1
.	.	102718 MON. OPER. GUIDE	1
.	.	033007 PULSE EARCLIP	1
.	.	054013 CLOTHES CLIP	1
.	.	031203 SWITCH KEY	1
.	.	017088 LOCK KNOB	1
.	.	014156 LOCK KNOB WASHER	1
.	.	100566 HARDWARE KIT	1
.	.	016028 WRENCH CLIP	1
.	.	045010 ALLEN WRENCH	1
.	.	013575 2" SDRAIL BOLT	2
.	.	013522 1" SDRAIL BOLT	2
.	.	014094 FORMED WASHER	2
.	.	014086 FLAT WASHER	2