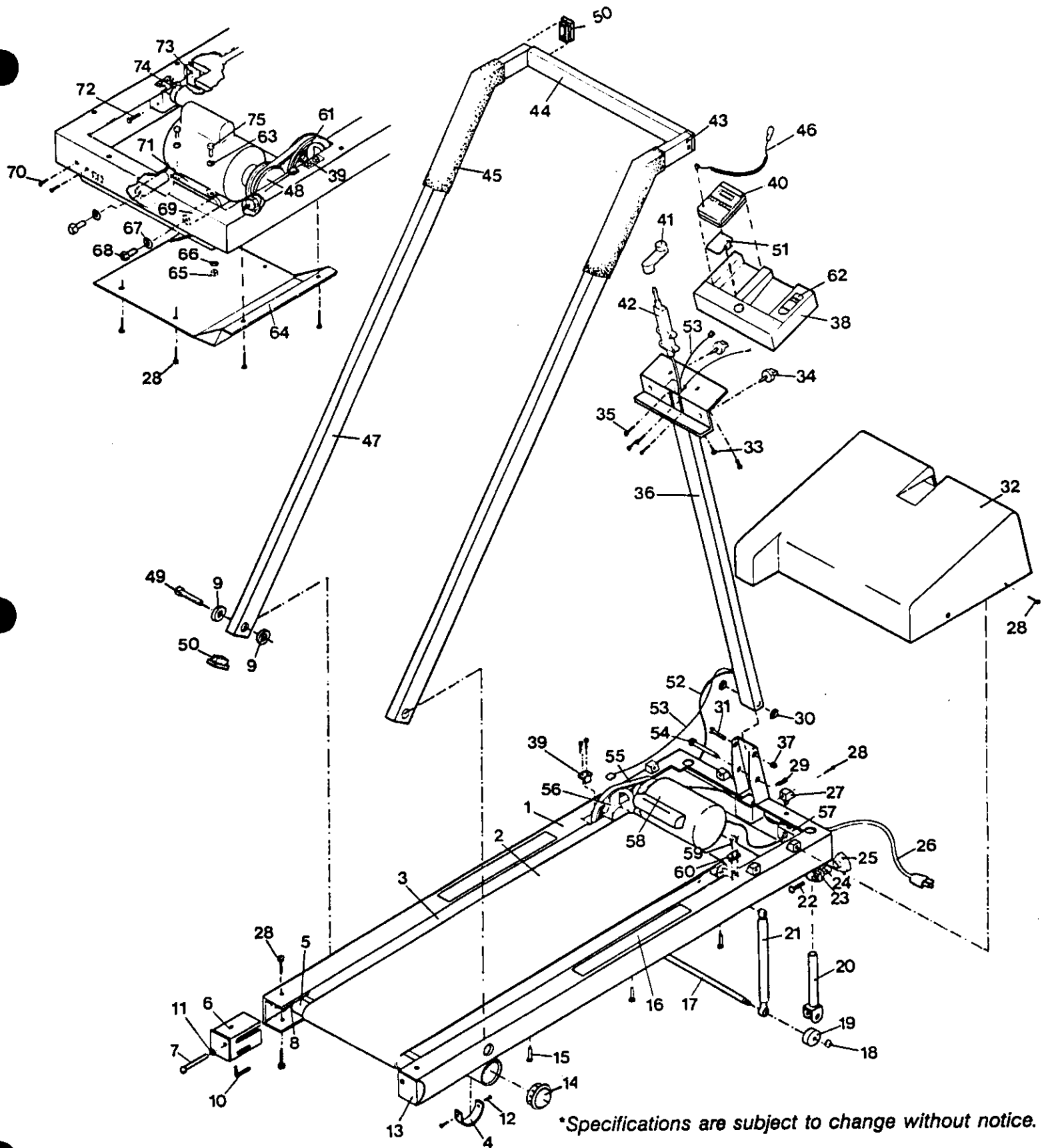


EXPLODED DRAWING - MODEL NO. 831.296420



MODEL NUMBER: 29642
VERSION: 00
PRODUCT NAME: LIFESTYLER 2000
PRODUCT DESC: TREADMILL

MODEL/PART BOOK LISTING

PAGE 1
INI023P1
RUN DATE: 4/17/96
RUN TIME: 15:06:54

KEY NUMBER	PART NUMBER	DESCRIPTION	QUANTITY
1	NSP	FRAME	1
2	125415	WALKING BELT	1
3	053007	WALKING PLATFORM	1
4	051023	RUBBER FOOT PAD	2
5	070084	REAR ROLLER	1
6	008167	LEFT BELT ADJ. BRACKET	1
7	013206	BELT ADJUSTMENT BOLT	2
8	019104	REAR ROLLER SPACER	2
9	014086	HANDRAIL PIVOT WASHER	4
10	045010	ALLEN WRENCH	1
11	014063	BELT ADJUSTMENT WASHER	2
12	013162	SMALL SCREW	12
13	008168	RIGHT BELT ADJ. BRACKET	1
14	040113	REAR LEG ENDCAP	2
15	013270	PLATFORM BOLT	6
16	NLA	GRIP TAPE	2
17	049047	FRONT LEG AXLE	1
18	012085	ACORN NUT	2
19	052012	FRONT LEG WHEEL	2
20	005011	FRONT LEG	2
21	043012	SHOCK	1
22	013207	CLAMP BOLT	2
23	016001	ALUMINUM CLAMP	2
24	019045	CLAMP SPACER	2
25	017027	CLAMP KNOB	2
26	031229	POWER CORD	1
27	008148	MOTOR HOOD ANCHOR	6
28	.	SEE KEY# 12	0
29	015043	COTTER PIN	1
30	014079	PIVOT WASHER	2
31	013310	PIVOT BOLT	1
32	NLA	MOTOR HOOD	1
33	013415	CONSOLE HOUSING BOLT	2
34	017081	HANDRAIL LOCK KNOB	2
35	013322	SPEED CONTROL BOLT	4
36	NLA	FRONT POST	1
37	012081	PIVOT NUT	1
38	NLA	ELECTRONIC CONSOLE HOOD	1
39	070192	FRONT ROLLER LOCK	2
40	130461	ELECTRONIC CONSOLE	1
41	017066	SPEED CONTROL CRANK	1
42	026021	SPEED CONTROL ASSEMBLY	1
43	013235	HANDRAIL BOLT	4
44	003057	HANDRAIL CROSSBAR	1
45	041019	FOAM GRIP	2
46	119946	PULSE/CLOTHES CLIP ASSY.	1
47	NLA	HANDRAIL	1
48	020051	VARIABLE SPEED PULLEY	1
49	013375	HANDRAIL PIVOT BOLT	2
50	040094	HANDRAIL ENDCAP	4
51	033091	BATTERY COVER	1
52	031088	ON/OFF SWITCH WIRE	1
53	115569	ELECTRONIC SENSOR WIRE	1
54	015038	SHOCK BOLT	1

MODEL NUMBER: 29642
VERSION: 00
PRODUCT NAME: LIFESTYLER 2000
PRODUCT DESC: TREADMILL

MODEL/PART BOOK LISTING

PAGE 2
INI023P1
RUN DATE: 4/17/96
RUN TIME: 15:06:54

KEY NUMBER	PART NUMBER	DESCRIPTION	QUANTITY
55	100410	V-BELT	1
56	.	SEE KEY# 74	1
57	031146	ELECTRONIC CONNECTION BOX	1
58	107834	MOTOR	1
59	013213	ROLLER LOCK BOLT	4
60	.	SEE KEY# 39	0
61	100498	SENSOR MAGNET	1
62	070660	ON/OFF SWITCH ASSEMBLY	1
63	014041	MOTOR MOUNT WASHER	4
64	010083	MOTOR GUARD	1
65	012082	LOCKNUT	4
66	014066	LOCK WASHER	8
67	.	SEE KEY# 66	0
68	013212	SLIDE RAIL BOLT	2
69	049011	MOTOR SLIDE RAIL	2
70	.	SEE KEY# 35	0
71	NLA	MOTOR MOUNT PLATE/BUSHING	0
72	013275	FRONT ROLLER ADJ BOLT	1
73	019320	SUPPORT BLOCK	6
74	103167	FRONT/ROLLER PULLEY	1
75	013211	MOTOR MOUNT BOLT	4
.	.	NON-ILLUSTRATED PARTS:	0
#	NLA	MOTOR HOOD DECAL	1
#	089026	MONITOR OPERATION GUIDE	1
#	046078	USER'S MANUAL, REV 6/88	1
#	.	LITERATURE PACKET	1
.	.	046078 OM, REV DATE 6/88	1
.	.	089026 MON. OPER. GUIDE	1
.	.	119946 PULSE/CLOTHES CLIP	1
.	.	045010 ALLEN WRENCH	1
.	.	016028 WRENCH CLIP	1