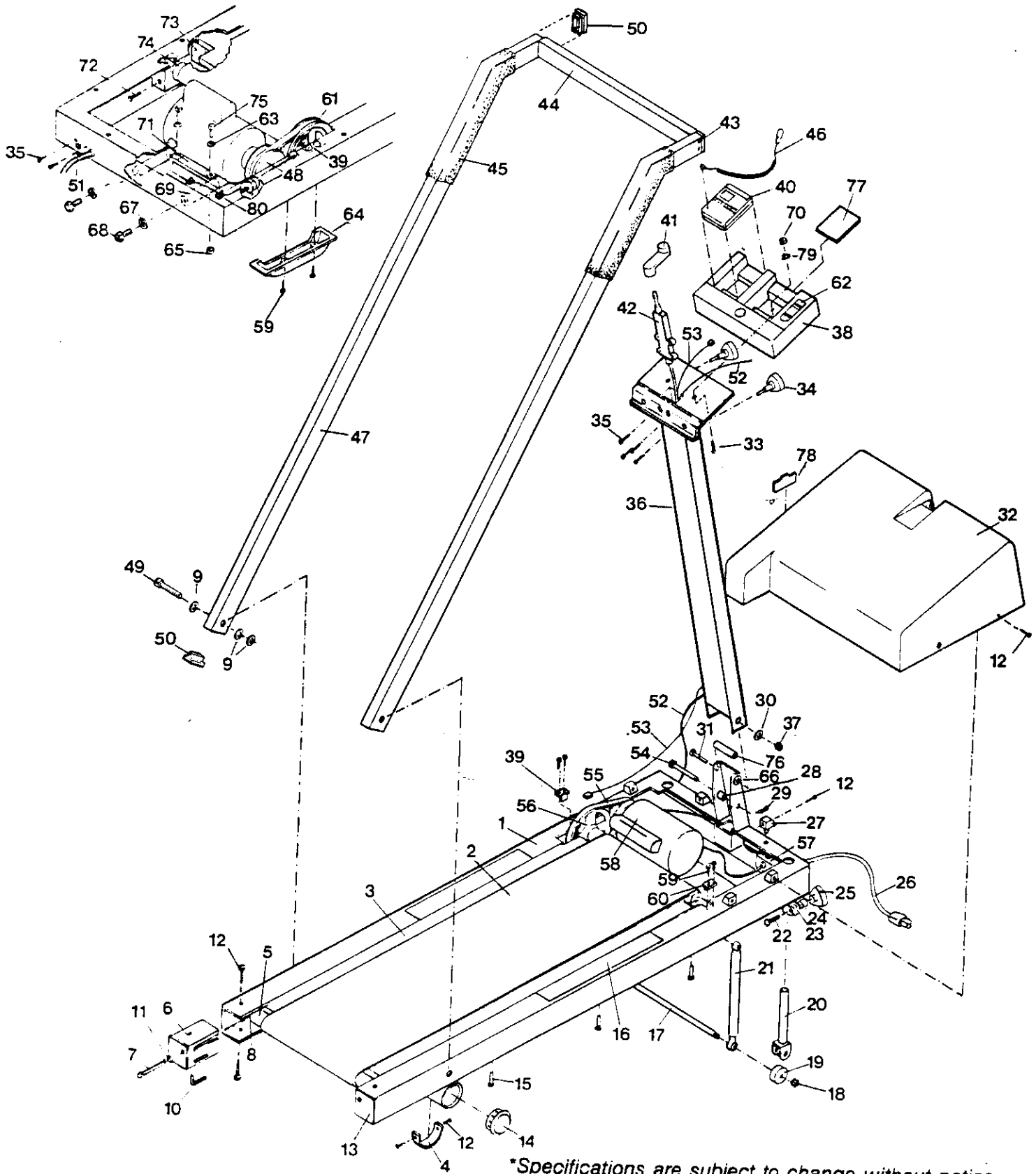


EXPLODED DRAWING - Model No. 831.296421



**Specifications are subject to change without notice.*

Replacement parts may be ordered by calling customer service toll-free at 1-800-999-3756 (in Canada 1-800-824-8949) during regular business hours: 8 a.m. - 5 p.m., Mon.-Fri., Mountain Standard Time. When ordering parts please use the product name, model number, serial number, part description and key number.

MODEL NUMBER: 29642
VERSION: 01
PRODUCT NAME: LIFESTYLER 2000
PRODUCT DESC: TREADMILL

MODEL/PART BOOK LISTING

PAGE 1
INI023P1
RUN DATE: 8/29/96
RUN TIME: 14:53:05

KEY NUMBER	PART NUMBER	DESCRIPTION	QUANTITY
1	NSP	FRAME	1
2	125415	WALKING BELT	1
3	053007	WALKING PLATFORM	1
4	051023	RUBBER FOOT PAD	2
5	070084	REAR ROLLER	1
6	008167	LEFT ADJUSTMENT BRACKET	1
7	013206	ADJUSTMENT BOLT	2
8	019104	REAR ROLLER SPACER	2
9	014086	HANDRAIL PIVOT WASHER	6
10	045010	ALLEN WRENCH	1
11	014063	ADJUSTMENT WASHER	2
12	013162	SCREW	14
13	008168	RIGHT ADJUSTMENT BRACKET	1
14	040113	REAR LEG ENDCAP	2
15	013270	PLATFORM BOLT	6
16	NLA	GRIP TAPE	2
17	049047	FRONT LEG AXLE	1
18	012085	ACORN NUT	2
19	052012	FRONT LEG WHEEL	2
20	005038	FRONT LEG	2
21	043012	HYDRAULIC SHOCK	1
22	013207	CLAMP BOLT	2
23	016001	ALUMINUM CLAMP	2
24	019045	CLAMP SPACER	2
25	017027	TRIANGULAR CLAMP KNOB	2
26	031229	POWER CORD	1
27	008148	MOTOR HOOD ANCHOR	6
28	019090	SHOCK SPACER	2
29	015043	COTTER PIN	1
30	014079	FRONT POST PIVOT WASHER	2
31	013310	FRONT POST PIVOT BOLT	1
32	NLA	MOTOR HOOD	1
33	013415	CONSOLE HOUSING BOLT	2
34	017081	HANDRAIL LOCKING KNOB	2
35	013322	SPEED CONTROL MTG. BOLT	4
36	NLA	FRONT POST	1
37	012037	FRONT POST PIVOT NUT	1
38	NLA	ELECTRONIC CNSL. HOUSING	1
39	070192	LEFT ROLLER LOCK	1
40	130461	ELECTRONIC MONITOR	1
41	017066	SPEED CONTROL CRANK	1
42	026021	SPEED CONTROL ASSEMBLY	1
43	013235	HANDRAIL BOLT	4
44	003057	HANDRAIL CROSSBAR	1
45	041019	FOAM GRIP	2
46	119946	PULSE MONITOR CLIP	1
47	NLA	HANDRAIL	2
48	020051	VARIABLE SPEED PULLEY	1
49	013375	HANDRAIL PIVOT BOLT	2
50	040094	HANDRAIL ENDCAP	4
51	031036	CIRCUIT BREAKER	1
52	031088	ON/OFF SWITCH WIRE	1
53	115569	SENSOR WIRE/REED SWITCH	1
54	015038	HYDRAULIC SHOCK BOLT	1

MODEL NUMBER: 29642
VERSION: 01
PRODUCT NAME: LIFESTYLER 2000
PRODUCT DESC: TREADMILL

MODEL/PART BOOK LISTING

PAGE 2
INI023P1
RUN DATE: 8/29/96
RUN TIME: 14:53:05

KEY NUMBER	PART NUMBER	DESCRIPTION	QUANTITY
55	100410	V-BELT	1
56	NSP	FRONT PULLEY SEE #74	1
57	031146	ELECTRONIC CONNECTION BOX	1
58	.	MOTOR	1
	.	DOES YOUR MOTOR ADJUST BY	0
	.	SLIDE OR SWIVEL?	0
	107834	107834 SLIDE MOTOR	1
	110850	110850 SWIVEL MOTOR	1
59	013213	BOLT	6
60	070192	RIGHT ROLLER LOCK	1
61	100498	SENSOR MAGNET	1
62	031125	ON/OFF SWITCH PADDLE	1
63	014041	MOTOR MOUNT WASHER	4
64	NLA	PULLEY GUARD	1
65	012082	NUT	4
66	014101	WASHER	2
67	014066	SIDE RAIL WASHER	4
68	013212	SIDE RAIL BOLT	4
69	049011	MOTOR SLIDE RAIL	2
70	012090	CONSOLE HOUSING NUT	2
71	NLA	MOTOR MOUNT PLATE	1
72	013275	FRONT ROLLER ADJ. BOLT	1
73	019220	PLASTIC SUPPORT	6
74	103167	FRONT ROLLER/PULLEY	1
75	013211	MOTOR MOUNT BOLT	4
76	019194	PIVOT BOLT BUSHING	1
77	009093	CONSOLE HOUSING PAD	1
78	088009	INCLINE BUBBLE LEVEL	1
79	014105	STAR WASHER	2
80	016017	WIRE CLIP	3
.	.	NON-ILLUSTRATED PARTS	0
#	019228	SLIDE PLATE BUSHING	4
#	016028	WRENCH CLIP	1
#	044298	FRAME DECAL	2
#	044345	HOOD DECAL	1
#	127471	MONITOR OPERATION GUIDE	1
#	046078	OWNERS MANUAL REV 10/88	1
.	.	LITERATURE PACKET	1
.	.	046078 OM. REV DATE 10/88	1
.	.	089026 MON. OPER. GUIDE	1
.	.	(SEE ELECTRONIC SHEETS)	0
.	.	119946 PULSE EARCLIP	1
.	.	033023 BATTERY	1
.	.	045010 ALLEN WRENCH	1
.	.	016028 WRENCH CLIP	1
.	.	047017 CONSUMER NOTICE	1
.	.	(ALLEN WRENCH)	0
.	.	047087 CONSUMER NOTICE	1
.	.	(INCLINE LEVEL	0
.	.	ASSY. INSTRUCTION)	0
.	.	062035 VELCRO	1
.	.	103164 CONSUMER NOTICE	1