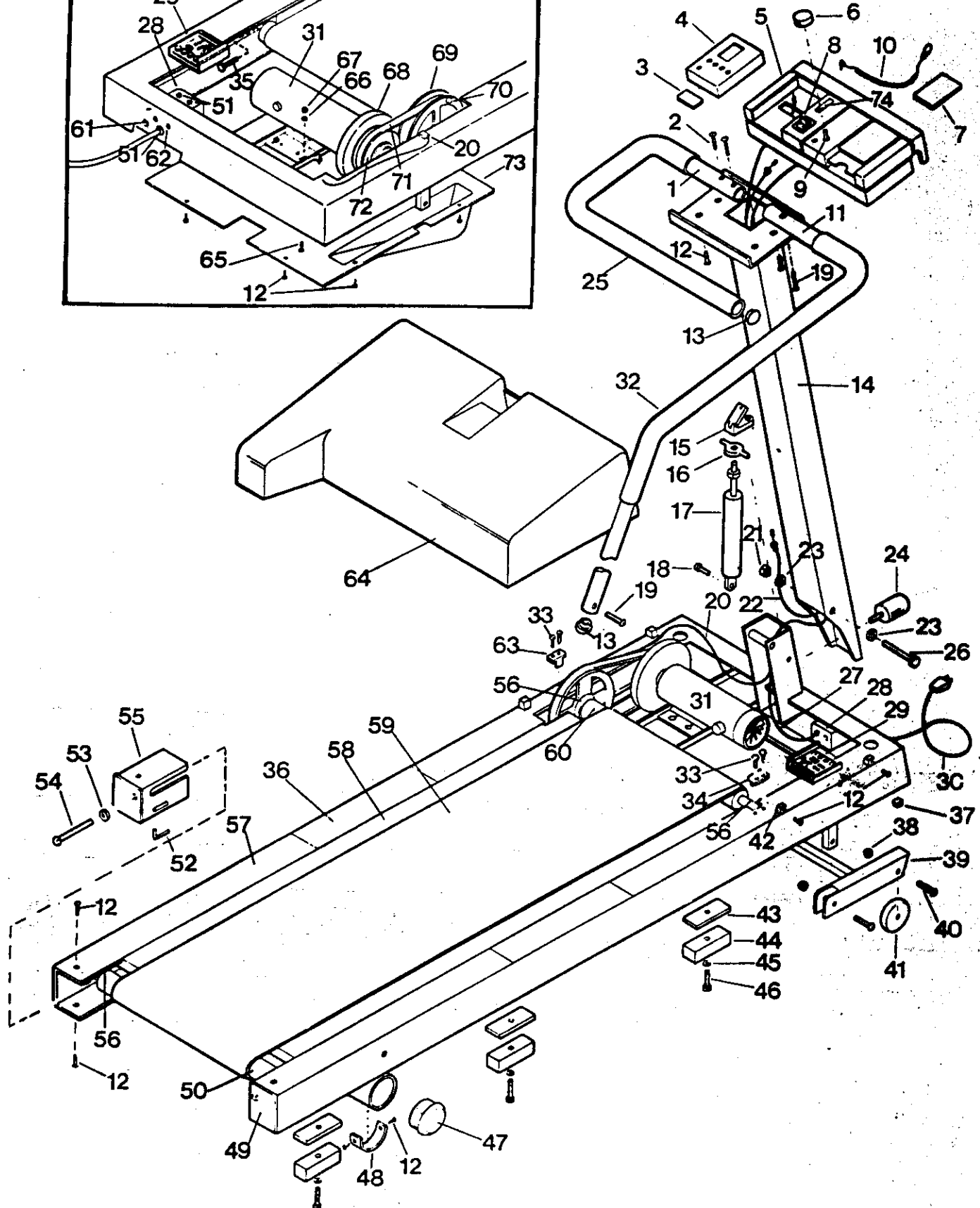
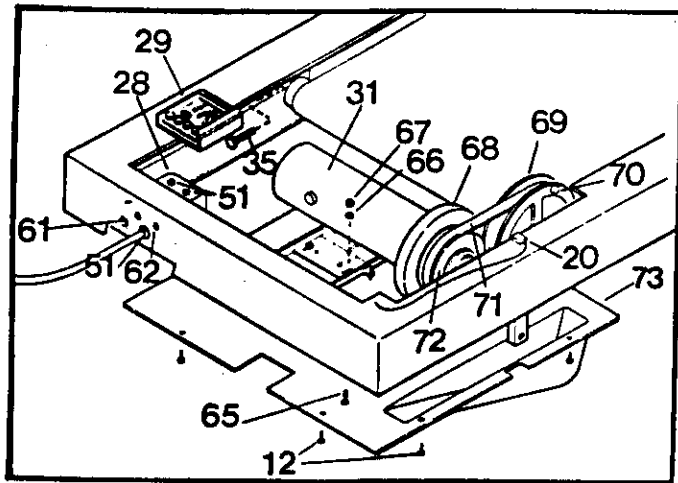


EXPLODED DRAWING - Model No. 831.296441



Specifications are subject to change.

MODEL NUMBER: 29644
VERSION: 01
PRODUCT NAME:
PRODUCT DESC:

MODEL/PART BOOK LISTING

PAGE 1
INI023P1
RUN DATE: 1/29/97
RUN TIME: 17:35:22

KEY NUMBER	PART NUMBER	DESCRIPTION	QUANTITY
1	NLA	HANDRAIL	1
2	013369	HANDRAIL SCREW	2
3	033106	BATTERY COVER	1
4	100668	ELECTRONIC CONSOLE	1
5	009084	CONSOLE HOUSING	1
6	100014	SPEED KNOB	1
7	031094	SAFETY CARD	1
8	109791	INCLINE LEVER W/CN	1
.	.	088003 INCLINE LEVER	1
.	.	125151 FASTENER	1
.	.	109783 CN-ASSY INSTRUCT.	1
9	031121	POTENTIOMETER ASSEMBLY	1
10	119946	PULSE MONITOR CLIP	1
11	NLA	SIDE RAIL	1
12	013162	SCREW	24
13	040062	HANDRAIL CAP	1
14	007041	HANDRAIL UPRIGHT	1
15	088004	LIFT CYLINDER RELEASE	1
16	008149	THREADED PIN	1
17	118391	LIFT CYLINDER	1
18	015045	CYLINDER PIN	1
19	013365	SIDE RAIL BOLT	2
20	115569	SENSOR WIRE	1
21	012037	PIVOT NUT	1
22	088005	INCLINE CABLE	1
23	014079	PIVOT WASHER	2
24	100014	LOCK KNOB	1
25	102541	HANDRAIL FOAM GRIP	1
26	013366	PIVOT BOLT	1
27	031093	ON/OFF SWITCH WIRE	1
28	NLA	CONNECTION BOX	1
29	104607	CONTROLLER	1
30	031229	POWER CORD	1
31	105481	MOTOR	1
32	041045	SIDE RAIL FOAM GRIP	1
33	013213	ROLLER LOCK BOLT	4
34	070192	RIGHT ROLLER LOCK	1
35	013275	FRONT ROLLER	1
36	NLA	GRIP TAPE	2
37	NLA	RUBBER BUMPER	2
38	012082	LOCKNUT	4
39	NLA	INCLINE LEG	2
40	013390	LEG BOLT	4
41	052014	WHEEL	2
42	008148	HOOD MOUNT ANCHOR	6
43	085003	RUBBER FITTING	6
44	NLA	WOOD SUPPORT	6
45	014066	SUPPORT WASHER	6
46	013270	SUPPORT BOLT	6
47	040113	REAR LEG ENDCAP	2
48	051023	RUBBER PAD	2
49	008168	RIGHT BELT ADJ. BRACKET	1
50	022043	REAR ROLLER	1
51	NSP	GROMMET	1

MODEL NUMBER: 29644
 VERSION: 01
 PRODUCT NAME:
 PRODUCT DESC:

MODEL/PART BOOK LISTING

PAGE 1 2
 INI023P1
 RUN DATE: 1/29/97
 RUN TIME: 17:35:22

KEY NUMBER	PART NUMBER	DESCRIPTION	QUANTITY
52	045010	ALLEN WRENCH	1
53	014063	ADJUSTMENT BRACKET WASHER	3
54	013206	BELT ADJUSTMENT BOLT	2
55	008167	LEFT BELT ADJ. BRACKET	1
56	019197	ROLLER BUSHING	4
57	NSP	FRAME	1
58	053017	WOOD PLATFORM	1
59	126256	WALKING BELT W/RI	1
60	070339	FRONT ROLLER/PULLEY	1
61	031090	CIRCUIT BREAKER	1
62	013294	CONNECTION BOX SCREW	2
63	070192	LEFT ROLLER LOCK	1
64	NLA	MOTOR HOOD	1
65	013414	MOTOR MOUNT BOLT	4
66	014041	MOTOR MOUNT WASHER	4
67	012082	MOTOR MOUNT NUT	4
68	NLA	FLYWHEEL	1
69	.	SEE #60	0
70	100498	MAGNET	1
71	025043	V-BELT	1
72	.	MOTOR PULLEY SEE KEY#31	1
73	040117	SAFETY COVER	1
74	088001	INCLINE INDICATOR	1
#	088002	INCLINE INDICATOR HOUSING	1
#	014086	WASHER	1
#	012108	HANDLEBAR MOUNTING NUT	2
#	015044	COTTER PIN	1
#	040132	SIDE RAIL ENDCAP	1
#	014094	FORMED WASHER	1
#	013322	CONSOLE MOUNT SCREW	1
#	031238	CHOKE	1
#	031101	EXTENSION WIRE	1
#	044298	FRAME DECAL	1
#	NLA	MOTOR HOOD DECAL	1
#	089006	MONITOR OPERATION GUIDE	1
#	046079	OWNERS MANUAL	1
.	.	LITERATURE PACKET	1
.	.	046079 OWNERS MANUAL	1
.	.	089006 MON. OPER. GUIDE	1
.	.	054013 CLOTHES CLIP	1
.	.	033007 PULSE EARCLIP	1
.	.	033023 9 VOLT BATTERY	1
.	.	031094 SAFETY CARD	1
.	.	070750 HARDWARE KIT	1
.	.	016028 WRENCH CLIP	1
.	.	045010 ALLEN WRENCH	1
.	.	013460 SIDE RAIL BOLT	1
.	.	014094 FORMED WASHER	2
.	.	014086 FLAT WASHER	2