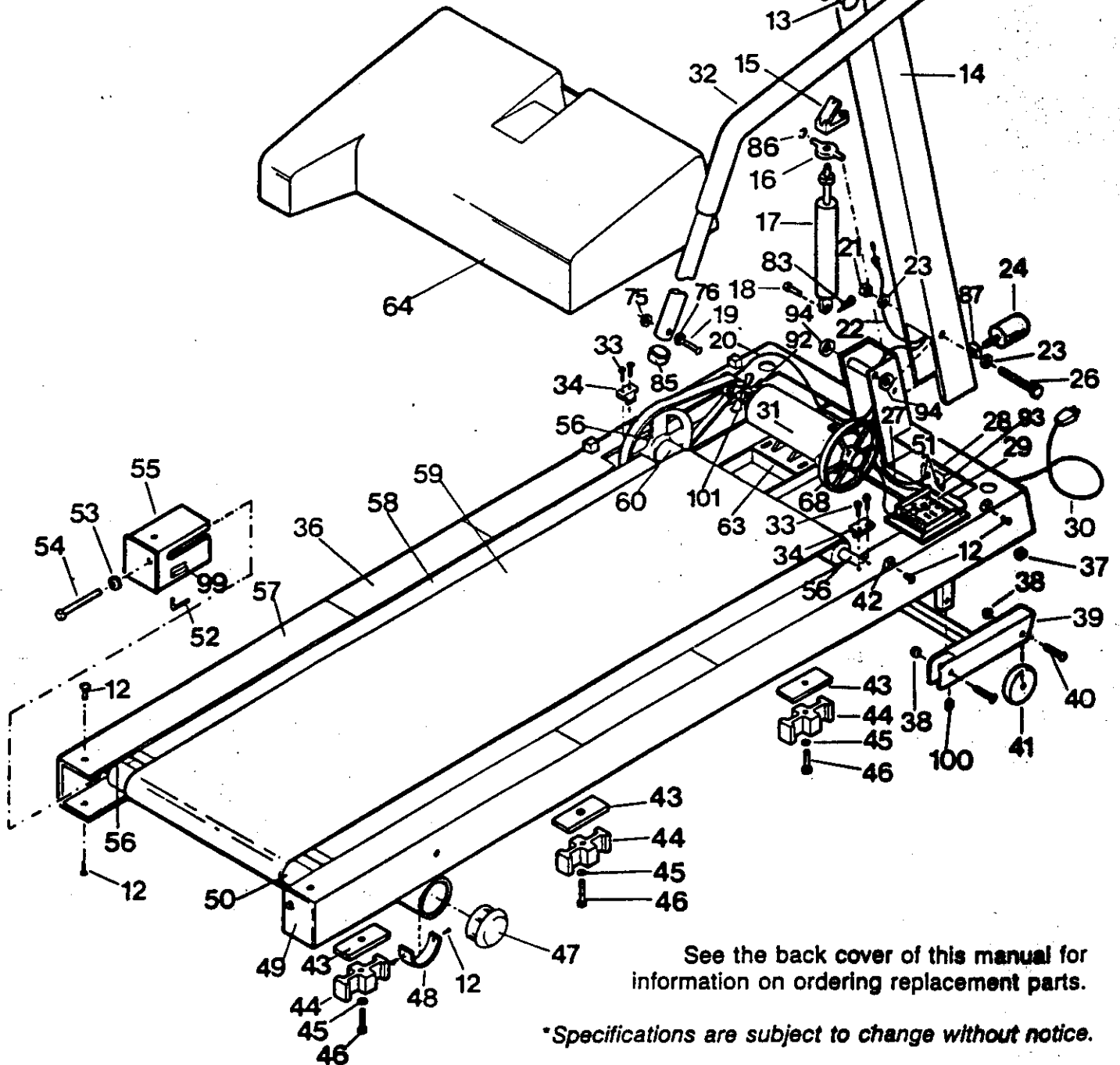
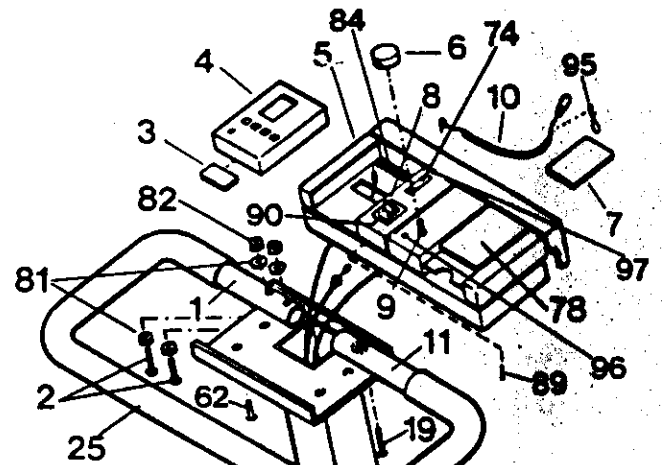
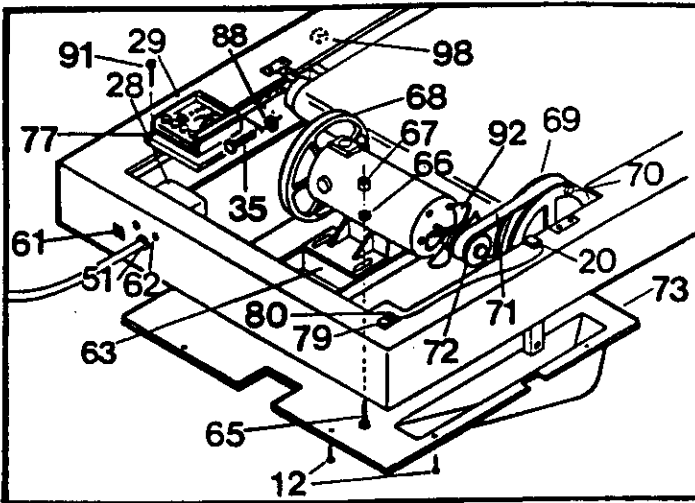


EXPLODED DRAWING - Model No. 831.296443



See the back cover of this manual for information on ordering replacement parts.

*Specifications are subject to change without notice.

MODEL NUMBER: 29644
VERSION: 03
PRODUCT NAME: LIFESTYLER
PRODUCT DESC:

MODEL/PART BOOK LISTING

PAGE 1

INT023P1

RUN DATE: 3/22/97

RUN TIME: 9:42:47

| KEY NUMBER | PART NUMBER | DESCRIPTION | QUANTITY |
|------------|-------------|--------------------------|----------|
| 1 | NLA | HANDRAIL | 1 |
| 2 | 013369 | HANDRAIL BOLT | 2 |
| 3 | 033091 | BATTERY COVER | 1 |
| 4 | 100668 | ELECTRONIC MONITOR | 1 |
| 5 | 009123 | CONSOLE | 1 |
| 6 | 100014 | SPEED CONTROL KNOB | 1 |
| 7 | 031094 | SAFETY CARD | 1 |
| 8 | 109791 | INCLINE LEVER W/CN | 1 |
| . | . | 088003 INCLINE LEVER | 1 |
| . | . | 125151 FASTENER | 1 |
| . | . | 109783 CN-ASSY INSTRUCT. | 1 |
| 9 | 031121 | POTENTIOMETER ASSEMBLY | 1 |
| 10 | 119946 | PULSE MONITOR CLIP | 1 |
| 11 | NLA | SIDE RAIL | 1 |
| 12 | 013162 | SMALL SCREW | 22 |
| 13 | 040119 | HANDRAIL CAP | 1 |
| 14 | 007041 | HANDRAIL UPRIGHT | 1 |
| 15 | 088004 | LIFT CYLINDER RELEASE | 1 |
| 16 | 008149 | THREADED PIN | 1 |
| 17 | 118391 | LIFT CYLINDER | 1 |
| 18 | 015045 | CYLINDER PIN | 1 |
| 19 | 013460 | SIDE RAIL BOLT | 2 |
| 20 | 115569 | SENSOR WIRE | 1 |
| 21 | 012081 | PIVOT NUT | 1 |
| 22 | 088005 | INCLINE CABLE | 1 |
| 23 | 014079 | PIVOT WASHER | 2 |
| 24 | 017056 | LOCK KNOB | 1 |
| 25 | NLA | HANDRAIL FOAM GRIP | 1 |
| 26 | 013368 | PIVOT BOLT | 1 |
| 27 | 031093 | ON/OFF SWITCH | 1 |
| 28 | NLA | JUNCTION BOX | 1 |
| 29 | 104607 | CONTROLLER | 1 |
| 30 | 031229 | POWER CORD | 1 |
| 31 | 105481 | MOTOR | 1 |
| 32 | 041045 | SIDE RAIL FOAM GRIP | 1 |
| 33 | 013213 | ROLLER LOCK SCREW | 4 |
| 34 | 070192 | FRONT ROLLER LOCK | 1 |
| 35 | 013275 | FRONT ADJUSTMENT BOLT | 1 |
| 36 | NLA | GRIP TAPE | 2 |
| 37 | 019183 | RUBBER BUMPER | 2 |
| 38 | 012108 | LOCKNUT | 4 |
| 39 | NLA | INCLINE LEG | 1 |
| 40 | 013399 | LEG BOLT | 4 |
| 41 | 052014 | WHEEL | 2 |
| 42 | 008148 | HOOD MOUNT ANCHOR | 4 |
| 43 | 085003 | RUBBER PLATFORM PAD | 6 |
| 44 | 019220 | SUPPORT BLOCK | 6 |
| 45 | 014066 | SUPPORT WASHER | 6 |
| 46 | 013270 | SUPPORT BOLT | 6 |
| 47 | 040113 | REAR LEG ENDCAP | 2 |
| 48 | 051023 | RUBBER FOOT PAD | 2 |
| 49 | 008168 | RIGHT BELT ADJ. BRACKET | 1 |
| 50 | 022043 | REAR ROLLER | 1 |
| 51 | 019084 | LARGE GROMMET | 4 |

MODEL NUMBER: 29644
 VERSION: 03
 PRODUCT NAME: LIFESTYLER
 PRODUCT DESC:

MODEL/PART BOOK LISTING

PAGE 2

FN1023P1

RUN DATE: 3/22/97
 RUN TIME: 9:42:47

| KEY NUMBER | PART NUMBER | DESCRIPTION | QUANTITY |
|------------|-------------|---------------------------|----------|
| 52 | 045010 | ALLEN WRENCH | 1 |
| 53 | 014063 | ADJUSTMENT BRACKET WASHER | 2 |
| 54 | 013206 | BELT ADJUSTMENT BOLT | 2 |
| 55 | 008167 | LEFT BELT ADJ. BRACKET | 1 |
| 56 | 019190 | ROLLER BUSHING | 4 |
| 57 | NSP | FRAME | 1 |
| 58 | 053017 | WOOD PLATFORM | 1 |
| 59 | 126256 | WALKING BELT W/RI | 1 |
| 60 | 070339 | FRONT ROLLER/PULLEY | 1 |
| 61 | 031090 | CIRCUIT BREAKER | 1 |
| 62 | 013322 | SCREW | 6 |
| 63 | 019224 | MOTOR MOUNT SPACER | 1 |
| 64 | NLA | MOTOR HOOD | 1 |
| 65 | 013391 | MOTOR MOUNT BOLT | 4 |
| 66 | 014041 | MOTOR MOUNT WASHER | 4 |
| 67 | 012082 | MOTOR MOUNT NUT | 4 |
| 68 | NLA | FLYWHEEL | 1 |
| 69 | . | SEE #60 | 0 |
| 70 | 100498 | MAGNET | 1 |
| 71 | 025043 | V-BELT | 1 |
| 72 | 020043 | MOTOR PULLEY | 1 |
| 73 | 040114 | SAFETY COVER | 1 |
| 74 | 088001 | INCLINE INDICATOR | 1 |
| 75 | 014086 | SIDE RAIL WASHER | 1 |
| 76 | 014094 | FORMED WASHER | 1 |
| 77 | NLA | ALUMINUM HEAT SINK | 1 |
| 78 | NLA | SAFETY SWITCH ASSEMBLY | 1 |
| 79 | 016017 | ADHESIVE TIE BLOCK | 4 |
| 80 | 016029 | CABLE TIE | 4 |
| 81 | 014086 | HANDRAIL WASHER | 4 |
| 82 | 012108 | HANDRAIL NUT | 2 |
| 83 | 015043 | COTTER PIN | 1 |
| 84 | 062002 | FASTENER STRIP | 1 |
| 85 | 040132 | SIDE RAIL ENDCAP | 1 |
| 86 | 054016 | E-CLIP | 2 |
| 87 | 014087 | LOCK KNOB WASHER | 1 |
| 88 | 014063 | FRONT ROLLER WASHER | 1 |
| 89 | 013413 | INDICATOR MOUNTING SCREW | 1 |
| 90 | 088010 | LEVER HOUSING | 1 |
| 91 | 013300 | SINK SCREW | 3 |
| 92 | 031027 | FAN | 1 |
| 93 | 031101 | EXTENSION WIRE | 1 |
| 94 | 014101 | PIVOT WASHER | 2 |
| 95 | 054013 | CLOTHES CLIP | 1 |
| 96 | NLA | ROUND INDICATOR LIGHT | 1 |
| 97 | 013421 | BUBBLE SCREW | 1 |
| 98 | 129740 | PLATFORM BUMPER | 6 |
| 99 | 016028 | WRENCH CLIP | 1 |
| 100 | 014106 | INCLINE LEG WASHER | 1 |
| 101 | NLA | FAN BUSHING | 1 |
| # | 044298 | FRAME DECAL | 2 |
| # | NLA | MOTOR HOOD DECAL | 1 |
| # | 089006 | MONITOR OPERATION GUIDE | 1 |
| # | 046185 | OWNERS MANUAL | 1 |

MODEL NUMBER: 29644
VERSION: 03
PRODUCT NAME: LIFESTYLER
PRODUCT DESC:

MODEL/PART BOOK LISTING

RUN DATE: 3/22/97
RUN TIME: 9:42:47

| KEY NUMBER | PART NUMBER | DESCRIPTION | QUANTITY |
|------------|-------------|-------------------------|----------|
| | 070787 | LITERATURE PACKET | 1 |
| | | 046185 OWNERS MANUAL | 1 |
| | | 089006 MON. OPER. GUIDE | 1 |
| | | 033007 PULSE EARCLIP | 1 |
| | | 054013 CLOTHES CLIP | 1 |
| | | 031094 SAFETY CARD | 1 |
| | | 033023 9 VOLT BATTERY | 1 |
| | | 070750 HARDWARE KIT | 1 |
| | | 016028 WRENCH CLIP | 1 |
| | | 045010 ALLEN WRENCH | 1 |
| | | 013460 SIDE RAIL BOLT | 2 |
| | | 014094 FORMED WASHER | 1 |
| | | 014086 FLAT WASHER | 1 |