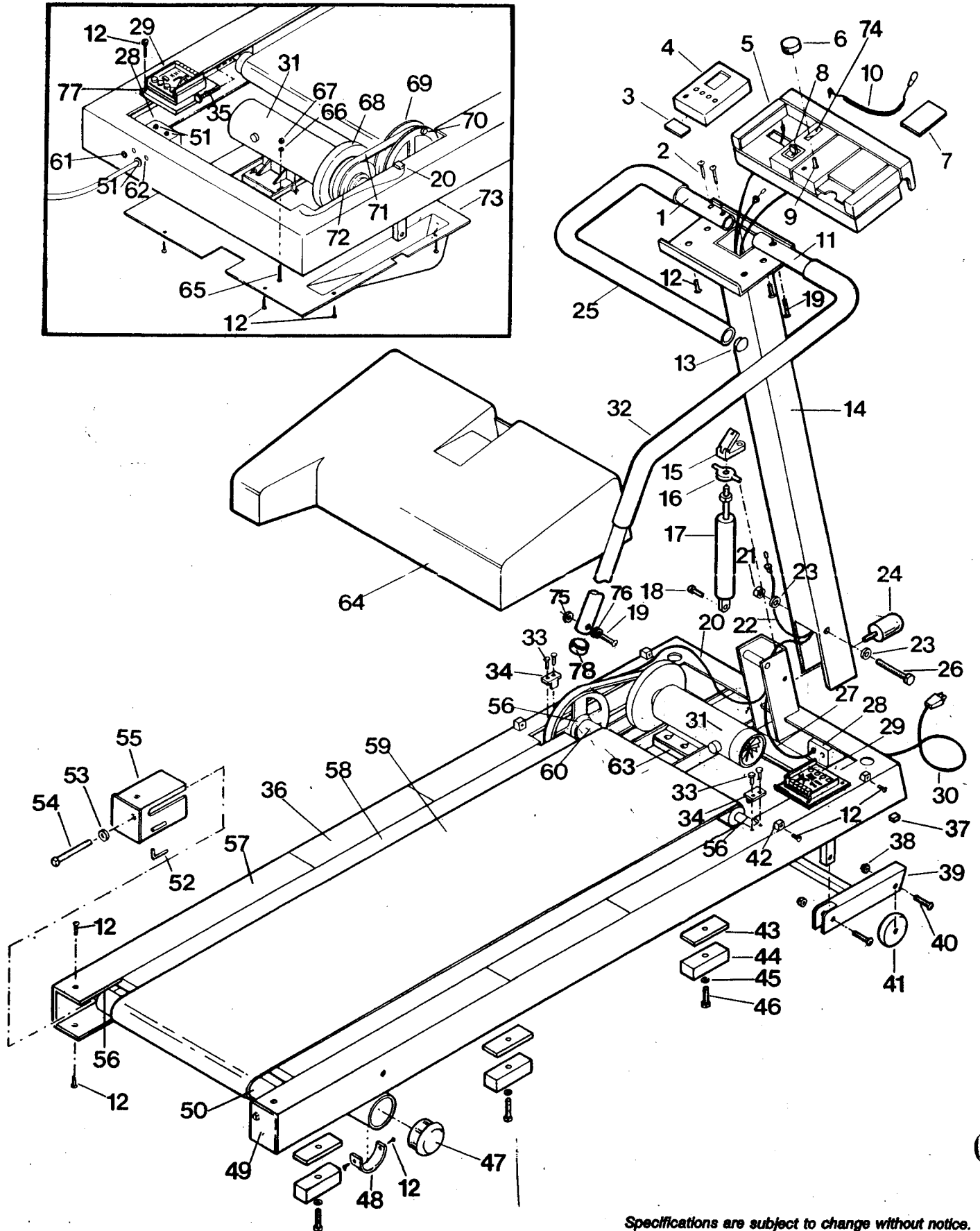


EXPLODED DRAWING - Model No. 831.296442



PART LIST - Model No. 831.296442

Key No.	Qty.	Description	Key No.	Qty.	Description
1	1	Handrail	39	1	Incline Leg
2	2	Handrail Screw	40	4	Leg Bolt
3	1	Battery Cover	41	2	Wheel
4	1	Electronic Console	42	4	Hood Mount Anchor
5	1	Console Housing	43	6	Rubber Fitting
6	1	Speed Knob	44	6	Wood Support
7	1	Safety Card	45	6	Support Washer
8	1	Incline Control	46	6	Support Bolt
9	1	Potentiometer Assembly	47	2	Rear Leg Endcap
10	1	Pulse Monitor Clip	48	2	Rubber Pad
11	1	Side Rail	49	1	Right Belt Adjustment Bracket
12	23	Screw	50	1	Rear Roller
13	1	Handrail Cap	51	3	Grommet
14	1	Handrail Upright	52	1	Allen Wrench
15	1	Lift Cylinder Release	53	2	Adjustment Bracket Washer
16	1	Threaded Pin	54	2	Belt Adjustment Bolt
17	1	Lift Cylinder	55	1	Left Belt Adjustment Bracket
18	1	Cylinder Pin	56	4	Roller Bushing
19	2	Side Rail Bolt	57	1	Frame
20	1	Sensor Wire	58	1	Wood Platform 053017
21	1	Pivot Nut	59	1	Walking Belt
22	1	Incline Cable	60	1	Front Roller
23	2	Pivot Washer	61	1	Circuit Breaker
24	1	Upright Locking Knob	62	2	Connection Box Screw
25	1	Handrail Foam Grip	63	1	Wood Spacer
26	1	Pivot Bolt	64	1	Motor Hood
27	1	On/Off Switch Wire	65	4	Motor Mount Bolt
28	1	Connection Box	66	4	Motor Mount Washer
29	1	Controller	67	4	Motor Mount Nut
30	1	Power Cord	68	1	Flywheel
31	1	Motor 105491	69	1	Roller Pulley
32	1	Side Rail Foam Grip	70	1	Magnet
33	4	Roller Lock Bolt	71	1	V-Belt
34	2	Front Roller Lock	72	1	Motor Pulley
35	1	Front Roller Bolt	73	1	Safety Cover
36	2	Grip Tape	74	1	Incline Indicator
37	2	Rubber Bumper	75	1	Pivot Washer
38	4	Locknut	76	1	Rounded Washer
			77	1	Aluminum Heat Sink
				1	Owner's Manual
				1	Electronics Operation Guide

Replacement parts may be ordered by calling customer service toll-free at 1-800-999-3756 (in Canada 1-800-824-8949) during regular business hours: 8 a.m. - 5 p.m., Mon.-Fri., Mountain Standard Time. When ordering parts please use the product name, model number, serial number, part description and key number.