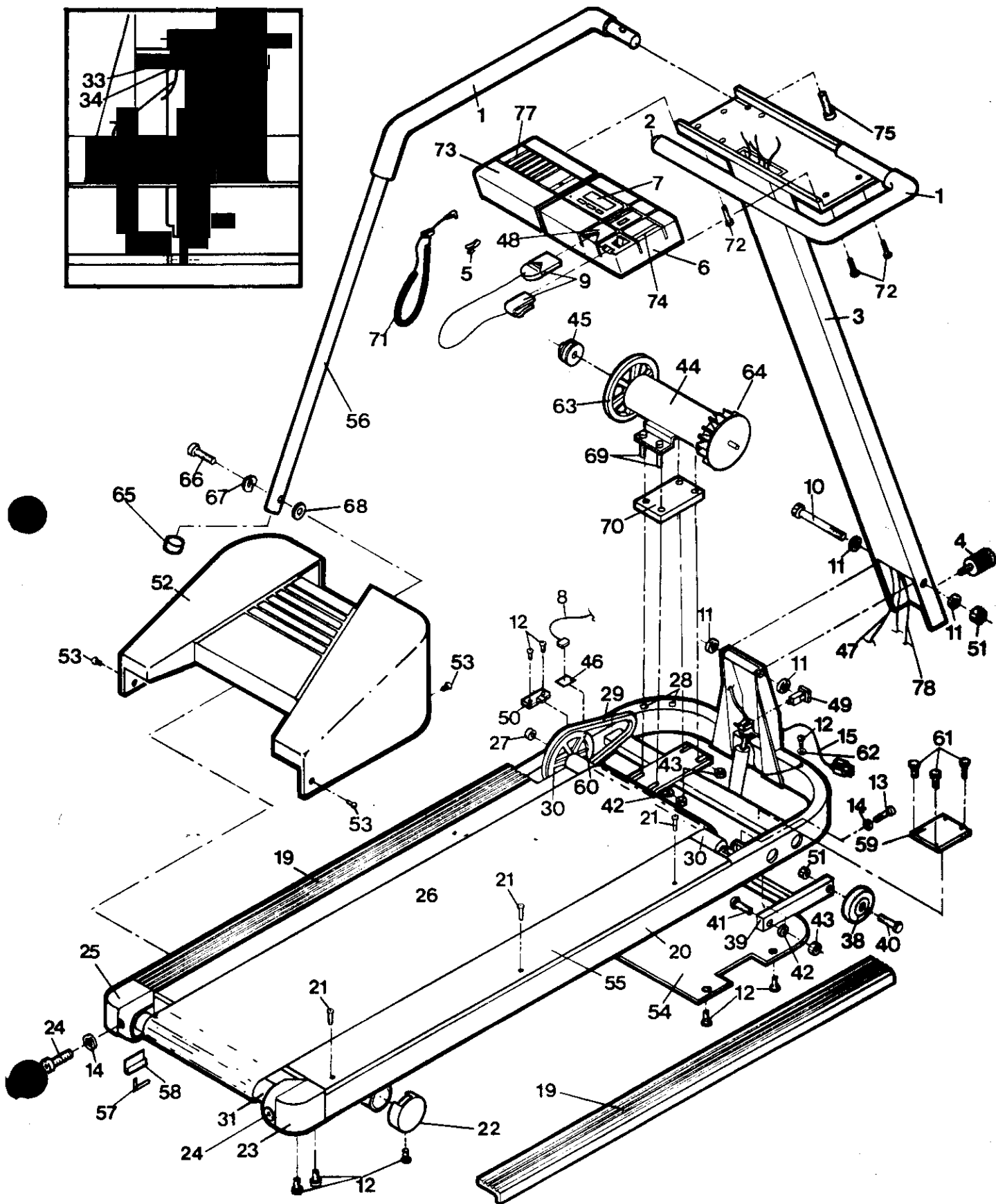
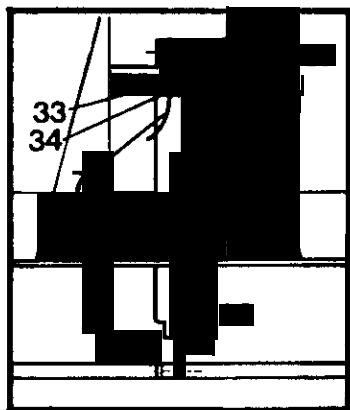


# EXPLODED DRAWING - Model No. 831.296451

Rev. 8/89

## INCLINE SHOCK ASSEMBLY

\*Specifications are subject to change without notice.



MODEL NUMBER: 29645  
VERSION: 01  
PRODUCT NAME: LIFESTYLER  
PRODUCT DESC:

MODEL/PART BOOK LISTING

PAGE 1

INI023P1

RUN DATE: 3/22/97

RUN TIME: 9:43:07

KEY NUMBER	PART NUMBER	DESCRIPTION	QUANTITY
1	NLA	HANDRAIL FOAM GRIP	1
1A	041068	SIDE RAIL FOAM GRIP	1
2	040119	ENDCAP	1
3	NLA	UPRIGHT POST	1
4	017088	LOCK KNOB	1
5	054013	CLOTHES CLIP	1
6	102858	CONSOLE	1
7	104455	ELECTRONIC MONITOR	1
8	115569	SENSOR WIRE/REED SWITCH	1
9	070843	SAFETY CARD/CLIP	1
10	013485	HINGE BOLT	1
11	014132	HINGE WASHER	4
12	013162	SMALL SCREW	5
13	013275	FRONT ROLLER ADJ. BOLT	1
14	014063	WASHER	3
15	031229	POWER CORD	1
16	043036	SHOCK	1
17	008204	SHOCK MOUNTING BRACKET	1
18	088004	SHOCK RELEASE MECHANISM	1
19	010175	FOOT RAIL	2
20	NSP	FRAME	1
21	013494	LARGE SCREW	6
22	040156	REAR LEG CAP	2
23	101360	RIGHT ROLLER BRACKET	1
24	013206	REAR ROLLER ADJ. BOLT	2
25	101359	LEFT ROLLER BRACKET	1
26	126255	WALKING BELT ASSEMBLY	1
		124299 WALKING BELT	1
		107109 NAIL	12
		110237 REPLACEMENT INSTR.	1
27	019110	FRONT ROLLER BUSHING	1
28	016055	SENSOR WIRE CLIP	4
29	100410	V-BELT	1
30	070339	FRONT ROLLER/PULLEY ASSY.	1
31	070084	REAR ROLLER	1
32	019084	GROMMET	1
33	014153	LARGE WASHER	1
34	059019	SHOCK CUSHION	1
35	015045	CLEVIS PIN	1
36	015043	COTTER PIN	1
37	012133	PUSH NUT	1
38	052014	WHEEL	2
39	004160	LIFT FRAME	1
40	013501	WHEEL MOUNTING BOLT	2
41	013500	LIFT FRAME MOUNTING BOLT	2
42	014041	FLAT WASHER	6
43	012082	FRAME LOCKNUT	6
44	105481	MOTOR	1
45	020043	MOTOR PULLEY	1
46	062035	REED SWITCH FASTENER	1
47	031207	SWITCH WIRE	1
48	070844	ON/OFF SWITCH ASSEMBLY	1
49	109383	CIRCUIT BREAKER, 12AMP	1
50	016050	ROLLER LOCK	1

MODEL NUMBER: 29645  
 VERSION: 01  
 PRODUCT NAME: LIFESTYLER  
 PRODUCT DESC:

MODEL/PART BOOK LISTING

IN1023P1  
 RUN DATE: 3/22/97  
 RUN TIME: 9:43:07

KEY NUMBER	PART NUMBER	DESCRIPTION	QUANTITY
51	012149	LOCKNUT	3
52	009126	MOTOR HOOD	1
53	013511	MOTOR HOOD SCREW	4
54	104530	SAFETY COVER	1
55	053028	WALKING PLATFORM	1
56	104651	SIDE RAIL	1
57	045010	ALLEN WRENCH	1
58	016028	WRENCH CLIP	1
59	031189	MOTOR CONTROLLER	1
60	100498	SENSOR MAGNET	1
61	013300	CONTROLLER MTG. SCREW	3
62	014142	STAR WASHER	1
63	NLA	FLYWHEEL	1
64	031227	FAN	1
65	040132	SIDERAIL ENDCAP	1
66	013460	SIDERAIL BOLT	1
67	014094	FORMED WASHER	1
68	014086	FLAT WASHER	1
69	013391	MOTOR BOLT	4
70	NLA	MOTOR MOUNT SPACER	1
71	119946	PULSE/CLOTHES CLIP ASSY.	1
72	013322	CONSOLE SCREW	6
73	070855	AUTO SPEED CONSOLE	1
74	088015	INCLINE BUBBLE	1
75	013522	SIDERAIL BOLT	1
76	088006	INCLINE CABLE	1
77	017094	AUTO CONTROL KNOB	9
78	031196	SPEED POTENTIOMETER WIRE	1
79	017096	MANUAL CONTROL KNOB	1
*	089036	ELECTRONIC MONITOR GIUDE	1
*	046245	OWNERS MANUAL	1
	070838	LITERATURE PACKET	1
		046245 OWNERS MANUAL	1
		089036 MON. OPER. GUIDE	1
		101508 PULSE EARCLIP	1
		054013 CLOTHES CLIP	1
		031201 SAFETY CARD	1
		017088 LOCK KNOB	1
		014156 LOCK KNOB WASHER	1
		047119 CONSUMER NOTICE	1
		047120 CONSUMER NOTICE	1
		047125 ASSY. INSTRUCTIONS	1
		075046 HARDWARE KIT	1
		016028 WRENCH CLIP	1
		045010 ALLEN WRENCH	1
		013575 2" SDRAIL BOLT	1
		013522 1" SDRAIL BOLT	1
		014086 FLAT WASHER	1
		014094 FORMED WASHER	1