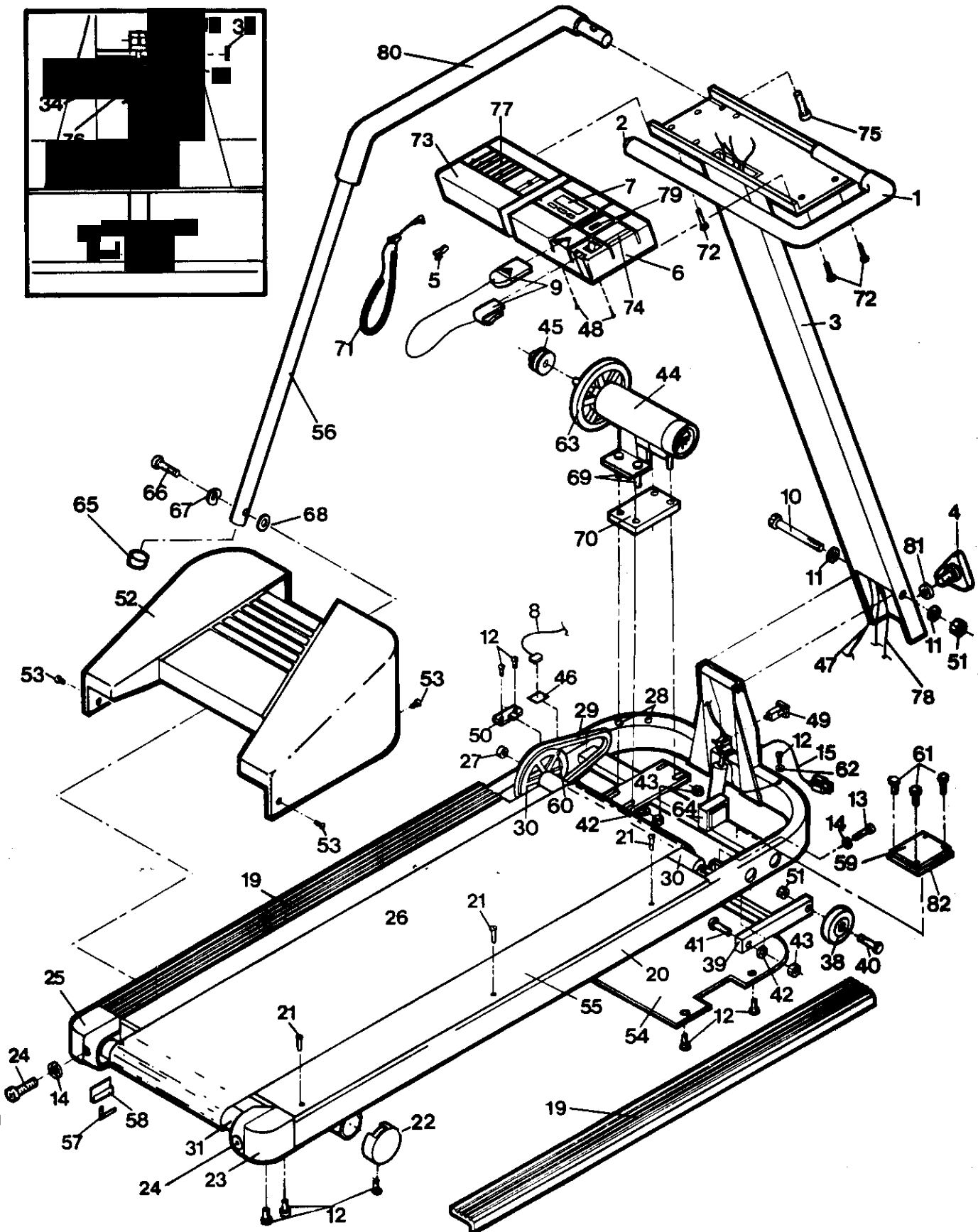
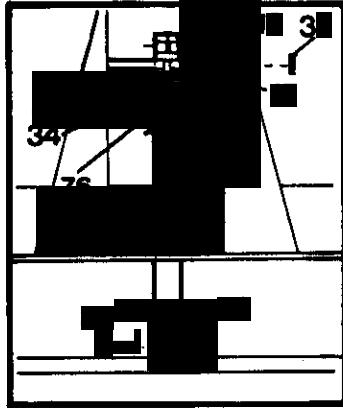


EXPLODED DRAWING - Model No. 831.296454

Rev. 10/89

*Specifications are subject to change without notice.

INCLINE SHOCK ASSEMBLY



MODEL NUMBER: 29645
VERSION: 04
PRODUCT NAME: LIFESTYLER 3100
PRODUCT DESC: TREADMILL

MODEL/PART BOOK LISTING

PAGE 1
INI023P1
RUN DATE: 6/19/96
RUN TIME: 13:27:58

KEY NUMBER	PART NUMBER	DESCRIPTION	QUANTITY
1	041042	FOAM GRIP	1
2	040119	ENDCAP	1
3	NLA	UPRIGHT POST	1
4	017088	LOCK KNOB	1
5	054013	CLOTHES CLIP	1
6	102858	CONSOLE	1
7	032083	ELECTRONIC MONITOR	1
8	115569	SENSOR WIRE/REED SWITCH	1
9	070843	SAFETY CARD/CLIP	1
10	013485	HINGE BOLT	1
11	014132	HINGE WASHER	1
12	013162	SMALL SCREW	0
13	013275	FRONT ROLLER ADJ. BOLT	1
14	014063	WASHER	1
15	031229	POWER CORD	1
16	043036	SHOCK	1
17	008204	SHOCK MOUNTING BRACKET	1
18	088004	SHOCK RELEASE MECHANISM	1
19	010175	FOOT RAIL	1
20	NSP	FRAME	1
21	013494	LARGE SCREW	1
22	040156	REAR LEG CAP	1
23	101360	RIGHT ROLLER BRACKET	1
24	013206	REAR ROLLER ADJ. BOLT	1
25	101359	LEFT ROLLER BRACKET	1
26	126255	WALKING BELT ASSEMBLY	1
.	.	124299 WALKING BELT	0
.	.	107109 NAIL	12
.	.	110237 REPLACEMENT INSTR.	1
27	019190	FRONT ROLLER BUSHING	1
28	016055	SENSOR WIRE CLIP	1
29	100410	V-BELT	1
30	070339	FRONT ROLLER/PULLEY ASSY.	1
31	070084	REAR ROLLER	1
32	019084	GROMMET	1
33	014153	LARGE WASHER	1
34	059019	SHOCK CUSHION	1
35	015045	CLEVIS PIN	1
36	015043	COTTER PIN	1
37	012133	PUSH NUT	1
38	052014	WHEEL	1
39	004160	LIFT FRAME	1
40	013501	WHEEL MOUNTING BOLT	1
41	013500	LIFT FRAME MOUNTING BOLT	1
42	014041	FLAT WASHER	1
43	012082	FRAME LOCKNUT	1
44	105481	MOTOR	1
45	.	MOTOR PULLEY SEE KEY#44	1
46	062035	REED SWITCH FASTENER	1
47	031231	SWITCH WIRE	1
48	013551	MONITOR SCREW	1
49	031036	CIRCUIT BREAKER	1
50	016050	ROLLER LOCK	1
51	012149	LOCKNUT	1

MODEL NUMBER: 29645
 VERSION: 04
 PRODUCT NAME: LIFESTYLER 3100
 PRODUCT DESC: TREADMILL

MODEL/PART BOOK LISTING

PAGE 2
 INI023P1
 RUN DATE: 6/19/96
 RUN TIME: 13:27:58

KEY NUMBER	PART NUMBER	DESCRIPTION	QUANTITY
52	009126	MOTOR HOOD	1
53	013511	MOTOR HOOD SCREW	1
54	104530	SAFETY COVER	1
55	053028	WALKING PLATFORM	1
56	104651	SIDERAIL	1
57	045010	ALLEN WRENCH	1
58	016028	WRENCH CLIP	1
59	031213	MOTOR CONTROLLER	1
60	100498	SENSOR MAGNET	1
61	013300	CONTROLLER MTG. SCREW	1
62	014157	STAR WASHER	1
63	NLA	FLYWHEEL	1
64	031238	CHOKE	1
65	040132	SIDERAIL ENDCAP	1
66	013460	SLOT HEAD BOLT	1
67	014094	FORMED WASHER	1
68	014086	FLAT WASHER	1
69	013454	MOTOR BOLT	1
70	019259	MOTOR MOUNT SPACER	1
71	119946	PULSE MONITOR CLIP	1
72	013322	CONSOLE SCREW	1
73	033194	AUTO SPEED CONSOLE	1
74	088015	INCLINE BUBBLE	1
75	013522	SIDERAIL BOLT	1
76	088006	INCLINE CABLE	1
77	017094	AUTO CONTROL KNOB	9
78	031196	SPEED POTENTIOMETER WIRE	1
79	017096	MANUAL CONTROL KNOB	1
80	041068	SIDERAIL FOAM GRIP	1
81	014156	LOCK KNOB WASHER	1
#	044566	FRAME DECAL	2
#	044572	MOTOR HOOD DECAL	1
#	089036	MONITOR OPERATION GUIDE	1
#	046244	OWNERS MANUAL	1
	092004	LITERATURE PACKET	1
.		046244 OWNERS MANUAL	1
.		089036 MON. OPER. GUIDE	1
.		047119 CONSUMER NOTICE	1
.		047120 CONSUMER NOTICE	1
.		033007 PULSE EARCLIP	1
.		054013 CLOTHES CLIP	1
.		031201 SAFETY CARD	1
.		017088 LOCK KNOB	1
.		014156 LOCK KNOB WASHER	1
.		047125 ASSY. INSTRUCTIONS	1
.		075046 HARDWARE KIT	1
.		016028 WRENCH CLIP	1
.		045010 ALLEN WRENCH	1
.		013575 2" BOLT	1
.		013522 1" BOLT	1
.		014086 FLAT WASHER	1
.		014094 FORMED WASHER	1