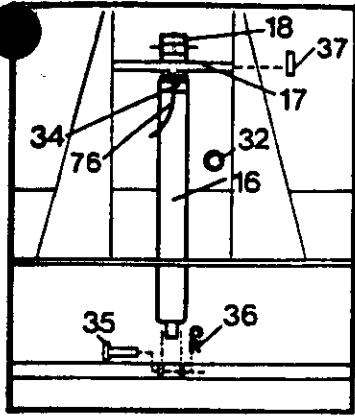


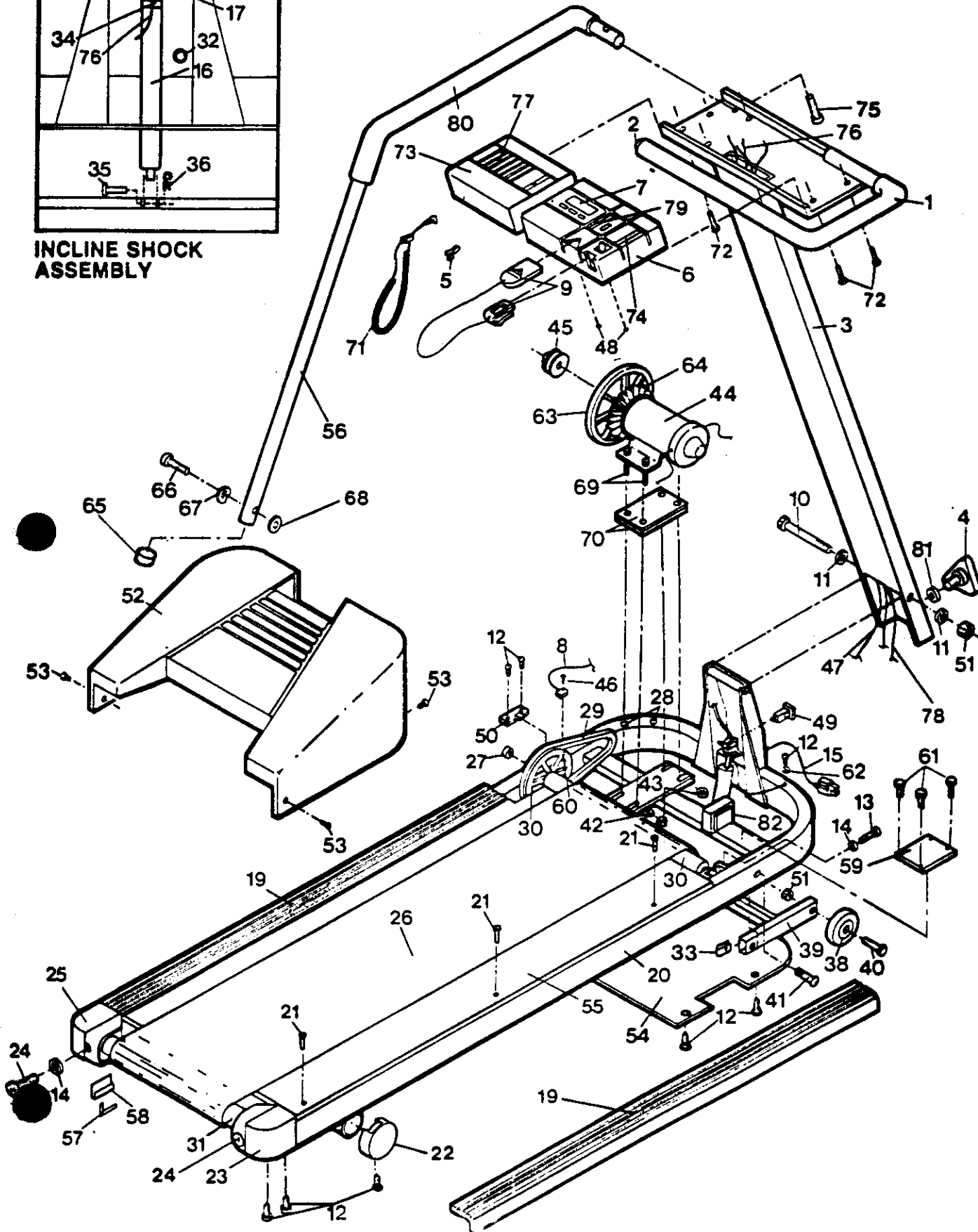
# EXPLODED DRAWING - Model No. 831.296457

Rev. 3/90

\*Specifications are subject to change without notice.



**INCLINE SHOCK ASSEMBLY**



MODEL NUMBER: 29645  
VERSION: 07  
PRODUCT NAME: LIFESTYLER 3100PS  
PRODUCT DESC: PROGRAMMABLE SPEED

MODEL/PART BOOK LISTING

PAGE 1  
INI023P1

KEY NUMBER	PART NUMBER	DESCRIPTION	QUANTITY
1	041042	FOAM GRIP	1
2	040119	ENDCAP	1
3	007096	UPRIGHT POST	1
4	017088	LOCK KNOB	1
5	054013	CLOTHES CLIP	1
6	009148	CONSOLE	1
7	032083	ELECTRONIC MONITOR	1
8	033208	SENSOR WIRE/REED SWITCH	1
9	070843	SAFETY CARD/CLIP	1
10	013485	HINGE BOLT	1
11	014132	HINGE WASHER	2
12	013162	SMALL SCREW	17
13	013275	FRONT ROLLER ADJ. BOLT	1
14	014063	WASHER	3
15	031229	POWER CORD	1
16	043036	SHOCK	1
17	008204	SHOCK MOUNTING BRACKET	1
18	088004	SHOCK RELEASE MECHANISM	1
19	010175	FOOT RAIL	2
20	NSP	FRAME	1
21	013494	LARGE SCREW	6
22	040156	REAR LEG CAP	2
23	008195	RIGHT ROLLER BRACKET	1
24	013206	REAR ROLLER ADJ. BOLT	2
25	008194	LEFT ROLLER BRACKET	1
26	025058	WALKING BELT	1
27	019190	FRONT ROLLER BUSHING	1
28	016055	SENSOR WIRE CLIP	4
29	025055	V-BELT	1
30	022056	FRONT ROLLER/PULLEY ASSY. (MUST BE SENT PRESSED TOGETHER, NSP SEPARATELY)	1 0
	.	022044 ROLLER	1
	.	020031 PULLEY	1
31	070084	REAR ROLLER	1
32	019084	GROMMET	1
33	012179	U-NUT	2
34	059019	SHOCK CUSHION	1
35	015045	CLEVIS PIN	1
36	015043	COTTER PIN	1
37	012133	PUSH PIN	1
38	052014	WHEEL	2
39	004160	LIFT FRAME	1
40	013581	WHEEL MOUNTING BOLT	2
41	013561	LIFT FRAME MOUNTING BOLT	2
42	014041	FLAT WASHER	4
43	012082	FRAME LOCKNUT	4
44	105592	MOTOR ASSEMBLY	1
	.	101629 MOTOR	1
	.	104905 PULLEY/FLYWHL/FAN	1
	.	105235 MOTOR MT. BRACKET	1
45	020064	MOTOR PULLEY	1
46	013300	REED SWITCH SCREW	1
47	031231	SWITCH WIRE	1

MODEL NUMBER: 29645  
 VERSION: 07  
 PRODUCT NAME: LIFESTYLER 3100PS  
 PRODUCT DESC: PROGRAMMABLE SPEED

MODEL/PART BOOK LISTING

PAGE 2  
 INI023P1

KEY NUMBER	PART NUMBER	DESCRIPTION	QUANTITY
48	013551	MONITOR SCREW	2
49	031036	CIRCUIT BREAKER	1
50	016050	ROLLER LOCK	1
51	012149	LOCKNUT	3
52	009126	MOTOR HOOD	1
53	013511	MOTOR HOOD SCREW	4
54	040189	SAFETY COVER	1
55	053028	WALKING PLATFORM	1
56	003069	SIDE RAIL	1
57	045010	ALLEN WRENCH	1
58	016028	TOOL CLAMP	1
59	031189	MOTOR CONTROLLER	1
60	033066	SENSOR MAGNET	1
61	013300	CONTROLLER MOUNTING SCREW	3
62	014157	STAR WASHER	1
63	021048	FLYWHEEL	1
64	031226	FAN	1
65	040132	SIDERAIL ENDCAP	1
66	013575	LONG SIDE RAIL BOLT	1
67	014094	FORMED WASHER	1
68	014086	FLAT WASHER	1
69	013454	MOTOR BOLT	4
70	019259	MOTOR MOUNT SPACER	2
71	101508	PULSE MONITOR CLIP	1
72	013322	CONSOLE SCREW	6
73	070855	AUTO SPEED CONSOLE	1
74	088015	INCLINE BUBBLE	1
75	013522	SHORT SIDE RAIL BOLT	1
76	088005	INCLINE CABLE	1
77	017094	AUTO CONTROL KNOB	9
78	031196	SPEED POTENTIOMETER WIRE	1
79	017096	MANUAL CONTROL KNOB	1
80	041068	SIDE RAIL FOAM GRIP	1
81	014156	LOCK KNOB WASHER	1
82	031238	CHOKE	1
#	077012	KEY STOCK	1
#	044572	HOOD DECAL	1
#	044566	FRAME DECAL	2
#	089036	ELECTRONIC MONITOR GUIDE	1
#	100028	OWNERS MANUAL	1
	100027	LITERATURE PACKET	1
.	.	100028 OWNERS MANUAL	1
.	.	089036 MON. OPER. GUIDE	1
.	.	101508 PULSE EARCLIP	1
.	.	054013 CLOTHES CLIP	1
.	.	031201 SAFETY CARD	1
.	.	017088 LOCK KNOB	1
.	.	014156 LOCK KNOB WASHER	1
.	.	075046 HARDWARE KIT	1
.	.	016028 TOOL CLAMP	1
.	.	045010 ALLEN WRENCH	1
.	.	013575 2" BOLT	1
.	.	013522 1" BOLT	1
.	.	014094 FORMED WASHER	1

MODEL NUMBER: 29645

MODEL/PART BOOK LISTING

PAGE 3  
IWI023P1

VERSION: 07

PRODUCT NAME: LIFESTYLER 3100PS

PRODUCT DESC: PROGRAMMABLE SPEED

KEY NUMBER	PART NUMBER	DESCRIPTION	QUANTITY
	.	014086 FLAT WASHER	1