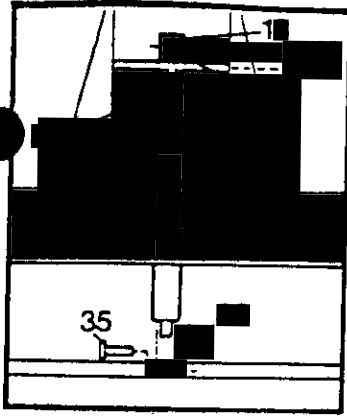


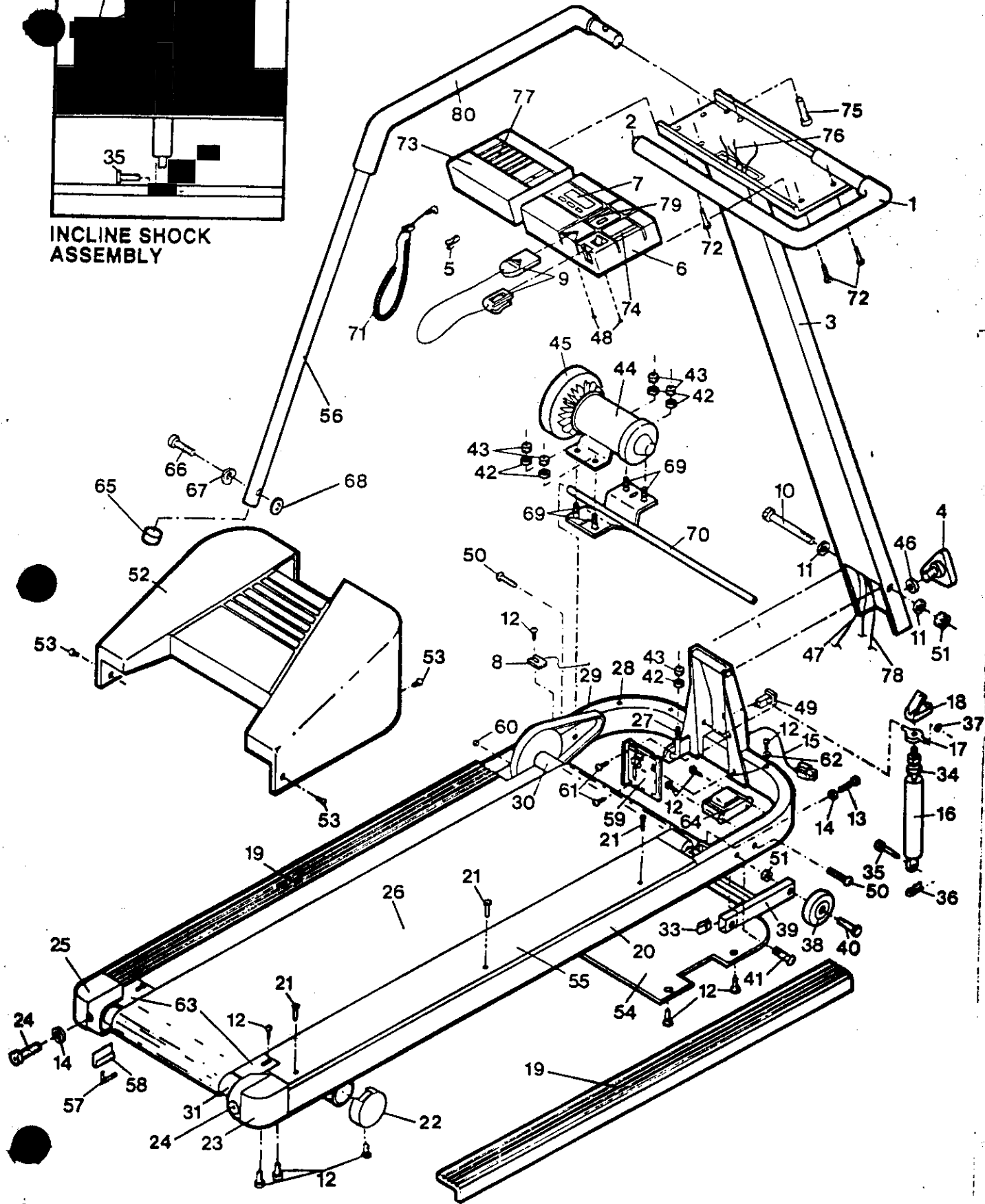
# EXPLODED DRAWING - Model No. 831.296459

Rev. 12/90

\*Specifications are subject to change without notice.



INCLINE SHOCK ASSEMBLY



MODEL NUMBER: 29645  
VERSION: 09  
PRODUCT NAME: 29645  
PRODUCT DESC:

MODEL/PART BOOK LISTING

PAGE 1

III023P1

RUN DATE: 2/08/97

RUN TIME: 7:38:59

KEY NUMBER	PART NUMBER	DESCRIPTION	QUANTITY
1	102541	FOAM GRIP	1
2	040119	ENDCAP	1
3	NLA	UPRIGHT POST	1
4	017088	LOCK KNOB	1
5	054013	CLOTHES CLIP	1
6	102858	CONSOLE	1
7	100696	ELECTRONIC MONITOR	1
8	115569	SENSOR WIRE/REED SWITCH	1
9	070843	SAFETY CARD/CLIP	1
10	013485	HINGE BOLT	1
11	014132	HINGE WASHER	2
12	013162	SMALL SCREW	21
13	013275	FRONT ROLLER ADJ. BOLT	1
14	014063	WASHER	3
15	031229	POWER CORD	1
16	043036	SHOCK	1
17	008204	SHOCK MOUNTING BRACKET	1
18	088004	SHOCK RELEASE MECHANISM	1
19	010175	FOOT RAIL	2
20	NSP	FRAME	1
21	100691	LARGE SCREW	6
22	040156	REAR LEG CAP	2
23	101360	RIGHT ROLLER BRACKET	1
24	013206	REAR ROLLER ADJ. BOLT	1
25	101359	LEFT ROLLER BRACKET	1
26	126255	WALKING BELT ASSEMBLY	1
.	.	124299 WALKING BELT	1
.	.	107109 NAIL	12
.	.	110237 REPLACEMENT INSTR.	1
27	103855	J-BOLT	1
28	016055	SENSOR WIRE CLIP	4
29	102789	V-BELT	1
30	102599	FRONT ROLLER/PULLEY ASSY.	1
31	070084	REAR ROLLER	1
32	019084	GROMMET	1
33	012179	U-NUT	2
34	059019	SHOCK CUSHION	1
35	101639	CLEVIS PIN	1
36	015043	COTTER PIN	1
37	012133	PUSH NUT	1
38	052014	WHEEL	2
39	101391	LIFT FRAME	1
40	013581	WHEEL MOUNTING BOLT	2
41	013561	LIFT FRAME MOUNTING BOLT	2
42	101630	WASHER	5
43	012082	NUT	5
44	103997	MOTOR ASSEMBLY	1
45	100147	PULLEY/FLYWHEEL/FAN	1
46	014156	LOCK KNOB WASHER	1
47	031231	SWITCH WIRE	1
48	013509	MONITOR SCREW	2
49	031036	CIRCUIT BREAKER	1
50	101627	SHAFT BOLT	2
51	012149	LOCKNUT	3

MODEL NUMBER: 29645  
VERSION: 09  
PRODUCT NAME: 29645  
PRODUCT DESC:

MODEL/PART BOOK LISTING

INI023P1  
RUN DATE: 2/08/97  
RUN TIME: 7:38:59

KEY NUMBER	PART NUMBER	DESCRIPTION	QUANTITY
52	103948	MOTOR HOOD W/DECAL	1
	.	009126 MOTOR HOOD	1
	.	044572 MOTOR HOOD DECAL	1
53	013511	MOTOR HOOD SCREW	4
54	104530	SAFETY COVER	1
55	053025	WALKING PLATFORM	1
56	102180	SIDE RAIL W/FOAM GRIP	1
	.	104651 SIDE RAIL	1
	.	041068 FOAM GRIP	1
	.	040132 ENDCAP	1
57	045010	ALLEN WRENCH	1
58	016028	WRENCH CLIP	1
59	129854	MOTOR CONTROLLER W/RI	1
60	100498	SENSOR MAGNET	1
61	013300	CONTROLLER MOUNTING SCREW	1
62	014157	STAR WASHER	1
63	010206	ROLLER GUARD	1
64	031238	CHOKE	1
65	040132	SIDE RAIL ENDCAP	1
66	013575	LONG SIDE RAIL BOLT	1
67	014094	FORMED WASHER	1
68	014086	FLAT WASHER	1
69	013445	MOTOR BOLT	1
70	102087	SHAFT	1
71	119946	PULSE MONITOR CLIP	1
72	013322	CONSOLE SCREW	6
73	103830	AUTO SPEED CONSOLE	1
74	088015	INCLINE BUBBLE	1
75	013522	SHORT SIDERAIL BOLT	1
76	088005	INCLINE CABLE	1
77	017094	AUTO CONTROL KNOB	9
78	031196	SPEED POTENTIOMETER WIRE	1
79	017096	MANUAL CONTROL KNOB	1
80	041068	SIDE RAIL FOAM GRIP	1
#	103536	HOOD DECAL	1
#	100959	FRAME DECAL	2
#	089036	MONITOR OPERAITON GUIDE	1
#	104031	OWNERS MANUAL	1
	104054	LITERATURE PACKET	1
	.	104031 OWNERS MANUAL	1
	.	089036 MON. OPER. GUIDE	1
	.	033007 PULSE CLIP	1
	.	054013 CLOTHES CLIP	1
	.	031201 SAFETY CARD	1
	.	017088 LOCK KNOB	1
	.	014156 LOCK KNOB WASHER	1
	.	075046 HARDWARE KIT	1
	.	016028 WRENCH CLIP	1
	.	045010 ALLEN WRENCH	1
	.	013575 2" BOLT	1
	.	013522 1" BOLT	1
	.	014094 FORMED WASHER	1
	.	014086 FLAT WASHER	1