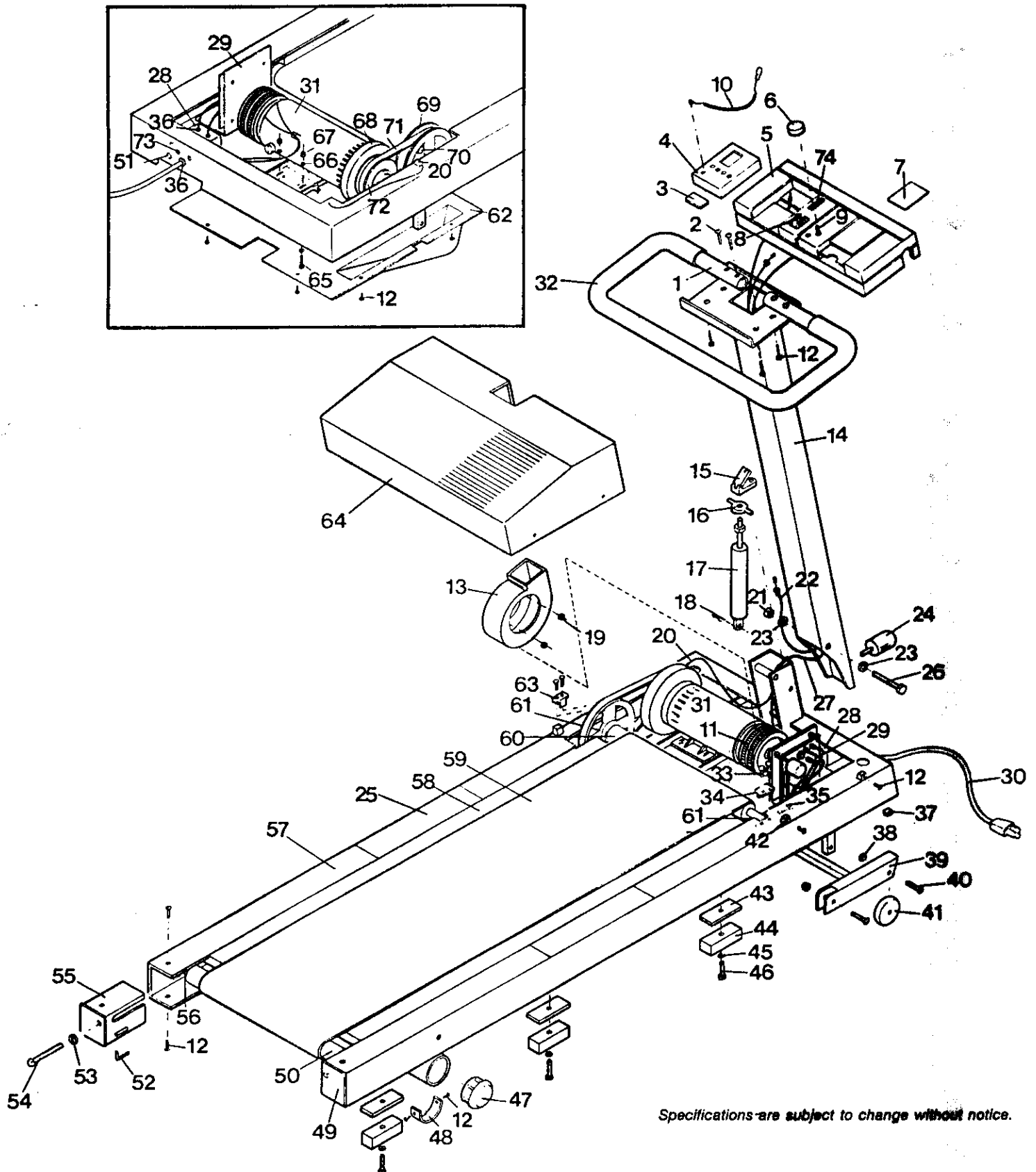


# EXPLODED DRAWING - Model No. 831.296461



Specifications are subject to change without notice.

Replacement parts may be ordered by calling our Customer Service Department toll-free at 1-800-824-3109 (in Canada, 1-800-824-8949) during regular business hours: Monday - Friday, 8 a.m. - 5 p.m. Mountain Standard Time. When ordering parts please use the product name, model number, serial number, part description and key number.

MODEL NUMBER: 29646  
VERSION: 01  
PRODUCT NAME:  
PRODUCT DESC:

MODEL/PART BOOK LISTING

PAGE 1  
INT023P1  
RUN DATE: 1/29/97  
RUN TIME: 7:35:49

KEY NUMBER	PART NUMBER	DESCRIPTION	QUANTITY
1	007048	HANDRAIL	1
2	013369	HANDRAIL SCREW	2
3	033091	BATTERY COVER	1
4	100668	ELECTRONIC CONSOLE	1
5	NLA	CONSOLE HOUSING	1
6	100014	SPEED KNOB	1
7	031094	SAFETY CARD	2
8	109791	INCLINE CONTROL	1
9	031121	POTENTIOMETER ASSEMBLY	1
10	119946	PUSLE MONITOR CLIP	1
11	031106	FAN	1
12	013162	SMALL SCREW	22
13	NLA	FAN SHROUD SET	1
14	007041	HANDRAIL UPRIGHT	1
15	088004	LIFT CYLINDER RELEASE	1
16	008149	SHOCK MOUNT BRACKET	1
17	043026	LIFT CYLINDER	1
18	015045	CYLINDER PIN	1
19	054023	SHROUD CLIP	2
20	115569	MONITOR WIRE	1
21	012081	PIVOT NUT	1
22	088005	INCLINE CABLE	1
23	014079	PIVOT WASHER	1
24	017056	LOCK KNOB	1
25	NLA	GRIP TAPE	1
26	013368	PIVOT BOLT	1
27	031093	ON/OFF SWITCH WIRE	1
28	NLA	CONNECTION BOX	1
29	031142	CONTROLLER	1
.	.	(SEND 031173 W/4-013300	0
.	.	FOR REPLACEMENT)	0
30	031229	POWER CORD	1
31	111341	MOTOR	1
32	041045	HANDRAIL FOAM GRIP	1
33	013213	ROLLER LOCK BOLT	4
34	070192	RIGHT ROLLER LOCK	1
.	.	016027 CLAMP	1
.	.	040069 CAP	1
35	013275	FRONT ROLLER BOLT	1
36	019084	RUBBER GROMMET	1
37	059019	RUBBER STOPPER	1
38	012108	LOCK NUT	4
39	NLA	INCLINE LEG	1
40	013399	LEG BOLT	4
41	052014	WHEEL	2
42	008148	HOOD MOUNTING BRACKET	6
43	085003	RUBBER FITTING	6
44	019220	PLASTIC SUPPORT	6
45	014067	SUPPORT WASHER	6
46	013270	SUPPORT BOLT	6
47	040113	REAR LEG ENDCAP	2
48	051023	RUBBER PAD	2
49	008168	RIGHT BELT ADJ. BRACKET	1
50	070340	REAR ROLLER	1

MODEL NUMBER: 29646  
 VERSION: 01  
 PRODUCT NAME:  
 PRODUCT DESC:

MODEL/PART BOOK LISTING

RUN DATE: 1/29/97

RUN TIME: 17:35:49

KEY NUMBER	PART NUMBER	DESCRIPTION	QUANTITY
51	109382	CIRCUIT BREAKER	1
52	045010	ALLEN WRENCH	1
53	014063	ADJUSTMENT BRACKET WASHER	2
54	013206	BELT ADJUSTMENT BOLT	2
55	008167	LEFT BELT ADJ. BRACKET	1
56	019190	REAR ROLLER BUSHING	1
57	NSP	FRAME	2
58	053018	WOOD PLATFORM	1
59	125410	WALKING BELT	1
60	070384	FRONT ROLLER/PULLEY ASSY.	1
61	019190	RIGHT ROLLER BUSHING	1
62	NLA	SAFETY COVER	1
63	070192	LEFT ROLLER LOCK	1
64	NLA	MOTOR HOOD W/DECAL	1
65	013391	MOTOR MOUNT BOLT	4
66	014041	MOTOR MOUNT WASHER	4
67	012082	MOTOR MOUNT NUT	4
68	021014	FLYWHEEL	1
69	NSP	ROLLER PULLEY (SEE #60)	0
70	100498	MAGNET	1
71	025035	V-BELT	1
72	100967	MOTOR PULLEY	1
73	013322	CONNECTION BOX SCREW	1
74	088001	INCLINE INDICATOR	1
#	015043	COTTER PIN	1
#	014015	LOCK KNOB WASHER	1
#	014063	FRONT ROLLER WASHER	1
#	014153	WASHER	1
#	NLA	FRAME DECAL	2
#	NLA	MOTOR HOOD DECAL	1
#	054016	E-CLIP	2
#	019173	PLATFORM BUMPER	6
#	019172	MOTOR MOUNT BOARD	1
#	013288	FLYWHEEL SET SCREW	1
#	NLA	FAN SHROUD BUMPER	3
#	019173	CONTROLLER BUMPER	2
#	013440	FAN HOUSING SCREW	2
#	014088	FAN HOUSING STAR WASHER	2
#	013284	CONTROLLER MOUNTING SCREW	2
#	014086	HANDLEBAR MOUNTING WASHER	4
#	012108	HANDLEBAR MOUNTING NUT	4
#	013322	CONSOLE MOUNTING SCREW	4
#	NLA	CARD SWITCH ASSEMBLY	1
#	NLA	LEVEL ADJUSTMENT SCREW	1
#	031109	EXTENSION WIRE	1
#	089006	MONITOR OPERATION GUIDE	1
#	046083	OWNERS MANUAL	1
#	070387	LITERATURE PACKET	1
.	.	046083 OWNERS MANUAL	1
.	.	089006 MON. OPER. GUIDE	1
.	.	045010 ALLEN WRENCH	1
.	.	016028 WRENCH CLIP	1
.	.	033007 PULSE EARCLIP	1
.	.	054013 CLOTHES CLIP	1

MODEL NUMBER: 29646  
VERSION: 01  
PRODUCT NAME:  
PRODUCT DESC:

MODEL/PART BOOK LISTING

PAGE 11  
IN2023E1

RUN DATE: 1/29/97  
RUN TIME: 17:35:49

KEY NUMBER	PART NUMBER	DESCRIPTION	QUANTITY
.	.	033023 BATTERY	1
.	.	033091 BATTERY COVER (ON CONSOLE)	1
.	.	031094 SAFETY CARD	0
.	.	*--THIS IS AN ESTIMATED COST!!!!	1
.	.		0