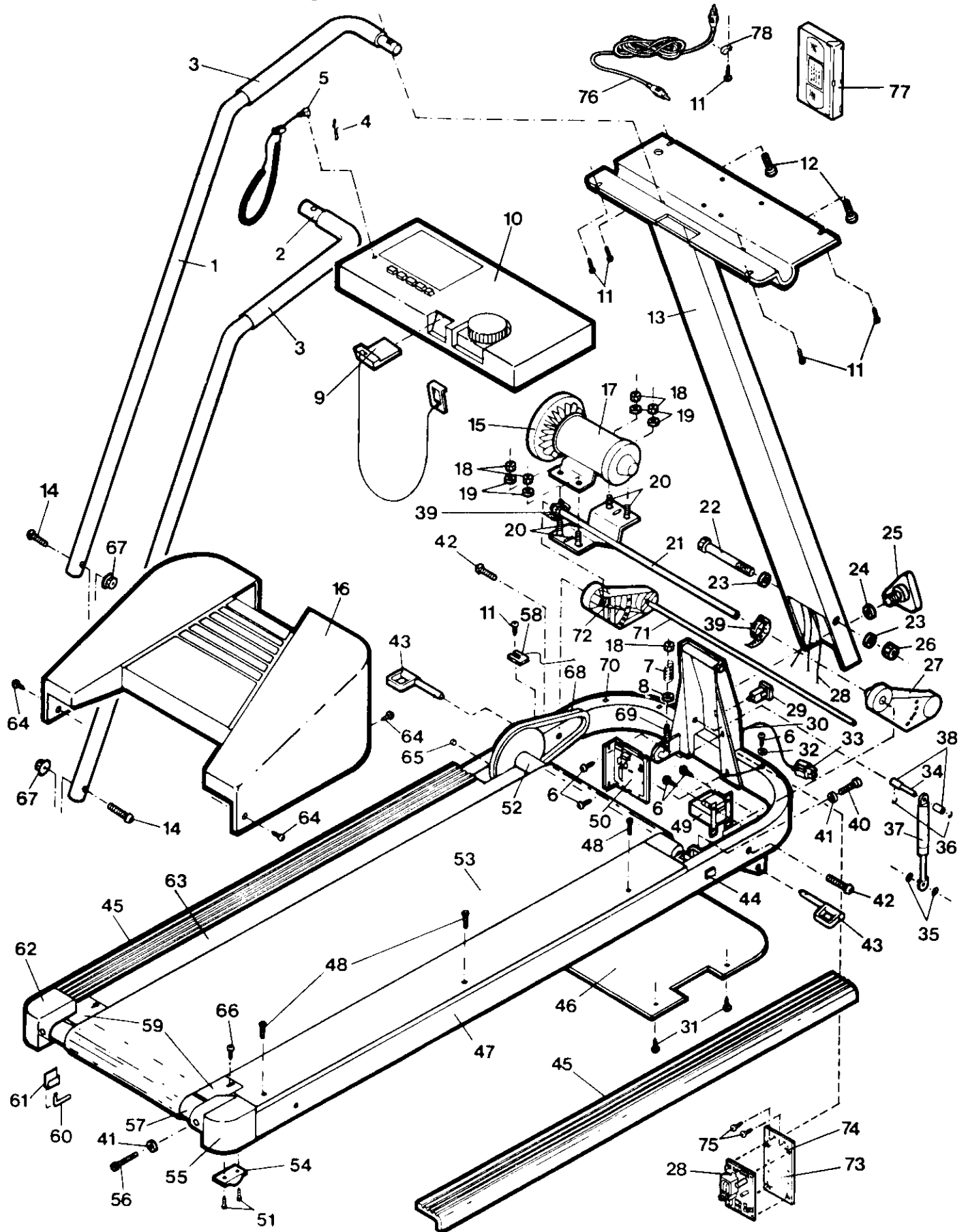


EXPLODED DRAWING- Model No. 831.296600

Rev. 8/91

Specifications are subject to change without notice.



MODEL NUMBER: 29660
 VERSION: 00
 PRODUCT NAME: 29660
 PRODUCT DESC:

MODEL/PART BOOK LISTING

PAGE 1
 IN1023P1

RUN DATE: 2/08/97
 RUN TIME: 7:40:38

KEY NUMBER	PART NUMBER	DESCRIPTION	QUANTITY
1	106284	LEFT SIDE RAIL W/FOAM	1
	.	104651 LEFT SIDE RAIL	1
	.	103423 FOAM GRIP	1
2	106285	RIGHT SIDE RAIL W/FOAM	1
	.	104653 RIGHT SIDE RAIL	1
	.	103423 FOAM GRIP	1
3	103423	SIDE RAIL FOAM GRIP	2
4	054013	CLOTHES CLIP	1
5	119946	PULSE/CLOTHES CLIP ASSY.	1
6	013423	SMALL SCREW	5
7	104514	MOTOR TENSION SPRING	1
8	014041	MOTOR TENSION WASHER	1
9	106593	SAFETY KEY/CLIP	1
10	106890	CONSOLE	1
11	104626	SCREW	6
12	104634	SHORT SIDE RAIL BOLT	2
13	105597	UPRIGHT POST	1
14	105722	LONG SIDE RAIL BOLT	2
15	100147	PULLEY/FLYWHEEL/FAN	1
16	106892	MOTOR HOOD W/DECAL	1
	.	009126 MOTOR HOOD	1
	.	105613 MOTOR HOOD DECAL	1
17	121876	MOTOR	1
18	012082	MOTOR NUT	5
19	101630	MOTOR WASHER	4
20	013445	MOTOR BOLT	4
21	102087	SWIVEL SHAFT	1
22	104925	HINGE BOLT	1
23	014087	HINGE WASHER	2
24	014156	LOCK KNOB WASHER	1
25	017088	LOCK KNOB	1
26	012108	HINGE NUT	1
27	101754	RIGHT INCLINE LEG	1
28	106278	POWER SUPPLY BOARD	0
29	031036	CIRCUIT BREAKER	1
30	019084	GROMMET	1
31	104623	PLASTIC FASTENER	12
32	014157	STAR WASHER	1
33	031229	POWER CORD	1
34	015047	SHOCK PIN	1
35	012133	PUSH NUT	2
36	054016	E-CLIP	2
37	101140	INCLINE SHOCK	1
38	101605	SHAFT SPACER	2
39	016029	HOSE CLAMP	2
40	013275	FRONT ROLLER ADJ. BOLT	1
41	014127	ADJUSTMENT WASHER	1
42	104624	SWIVEL SHAFT BOLT	2
43	100298	HITCH PIN	2
44	041043	HOOD CUSHION	4
45	010175	FOOT RAIL	2
46	104531	SAFETY COVER	1
47	NSP	FRAME	1
48	100691	LARGE SCREW	6

MODEL NUMBER: 29660
 VERSION: 00
 PRODUCT NAME: 29660
 PRODUCT DESC:

MODEL/PART BOOK LISTING

RUN DATE: 2/08/97
 RUN TIME: 7:40:38

KEY NUMBER	PART NUMBER	DESCRIPTION	QUANTITY
49	031238	CHOKE	1
50	129854	CONTROLLER W/RI	1
51	013300	PAD SCREW	4
52	102599	FRONT ROLLER/PULLEY ASSY.	1
53	126255	WALKING BELT ASSEMBLY	1
54	005040	RUBBER PAD	2
55	101360	RIGHT ROLLER BRACKET	1
56	013206	REAR ROLLER ADJ. BOLT	2
57	070084	REAR ROLLER	1
58	124434	SENSOR WIRE/REED SWITCH	1
59	010206	ROLLER GUARD	2
60	045010	ALLEN WRENCH	1
61	016028	WRENCH CLIP	1
62	101359	LEFT ROLLER BRACKET	1
63	053025	WALKING PLATFORM	1
64	104621	MOTOR HOOD SCREW	4
65	100498	SENSOR MAGNET	1
66	013141	ROLLER GUARD SCREW	2
67	105477	FLANGE NUT	2
68	102789	BELT	1
69	103855	J-BOLT	1
70	016055	SENSOR WIRE CLIP	4
71	101644	LEG SHAFT	1
72	101753	LEFT INCLINE LEG	1
73	106261	POWER SUPPLY MTG. PLATE	1
74	125819	PLASTIC CLIP	4
75	013162	MOUNTING SCREW	2
76	105617	TV CABLE	1
77	NLA	VIDEO TAPE	1
78	106562	CABLE CLAMP	1
#	105575	FRAME DECAL	2
#	105613	MOTOR HOOD DECAL	1
#	105615	OWNERS MANUAL	1
#	105614	LITERATURE PACKET	1
.	.	105615 OWNERS MANUAL	1
.	.	101508 PULSE EARCLIP	1
.	.	054013 CLOTHES CLIP	1
.	.	017088 LOCK KNOB	1
.	.	014156 LOCK KNOB WASHER	1
.	.	NLA VIDEO TAPE	1
.	.	105617 TV CABLE	1
.	.	106562 CABLE CLAMP	1
.	.	104626 SCREW	1
.	.	29650 SILICONE	1
.	.	105605 HARDWARE KIT	0
.	.	016028 WRENCH CLIP	1
.	.	045010 ALLEN WRENCH	1
.	.	105722 3" BOLT	1
.	.	104634 1" BOLT	1
.	.	105477 FLANGE NUT	1
#	.	*--THIS IS AN ESTIMATED	0
#	.	COST!!!!	0