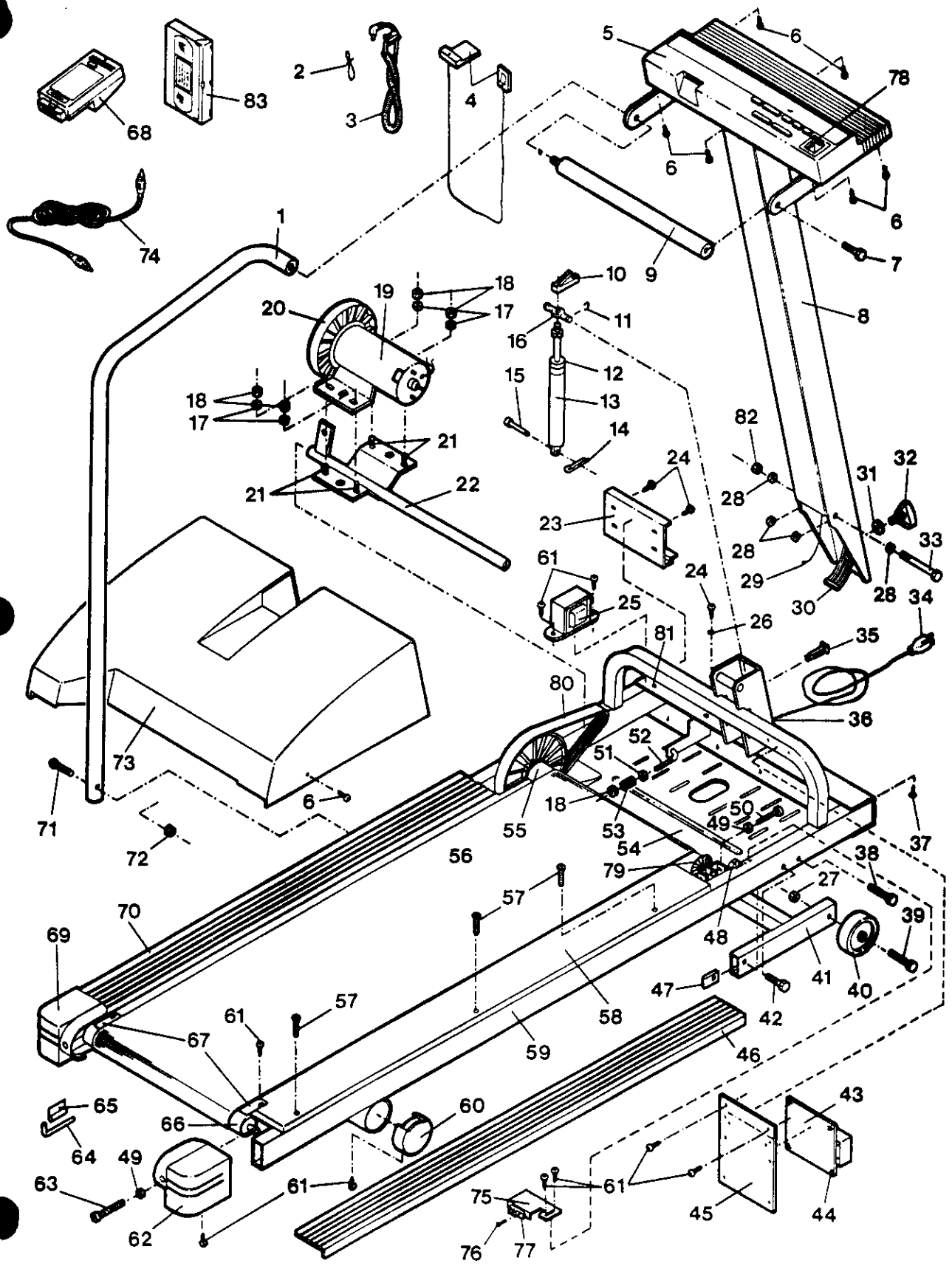


LIFESTYLER 6.0 MPH

PART LIST—Model No. 831.297120

Rev. 2/92



MODEL NUMBER: 29712
VERSION: 00
PRODUCT NAME: LIFESTYLER 6.0
PRODUCT DESC:

MODEL/PART BOOK LISTING

PAGE 1
INI023P1
RUN DATE: 3/22/97
RUN TIME: 9:45:23

KEY NUMBER	PART NUMBER	DESCRIPTION	QUANTITY
1	106116	SIDE RAIL	1
2	054013	CLOTHES CLIP	1
3	119946	PULSE/CLOTHES CLIP ASSY.	1
4	106337	SAFETY KEY/CLIP	1
5	107375	CONSOLE ASSEMBLY	1
6	104626	CONSOLE SCREW	10
7	104581	HANDRAIL BOLT	1
8	107446	UPRIGHT POST	1
9	105713	HANDRAIL	1
10	088004	CYLINDER RELEASE	1
11	054016	E-CLIP	1
12	059019	LIFT CUSHION	1
13	043036	LIFT CYLINDER	1
14	106334	COTTER PIN	1
15	101639	CYLINDER PIN	1
16	008149	CYLINDER MOUNTING BRACKET	1
17	101630	MOTOR MOUNT WASHER	4
18	012082	MOTOR MOUNT NUT	5
19	121876	MOTOR	1
19A	103997	MTR/PULY/FLY/FAN ASSEMBLY	1
20	100147	PULLEY/FLYWHEEL/FAN	1
21	013445	MOTOR MOUNT BOLT	4
22	102087	MOTOR MOUNT SWIVEL SHAFT	1
23	129861	CONTROLLER W/RI	1
24	013423	SCREW	3
25	031238	CHOKE	1
26	014157	GROUND WASHER	1
27	012108	WHEEL NUT	2
28	014079	PIVOT WASHER	4
29	088005	INCLINE CABLE	1
30	106816	WIRE HARNESS	1
31	014156	LOCK KNOB WASHER	1
32	017088	LOCK KNOB	1
33	013368	PIVOT BOLT	1
34	031229	POWER CORD	1
35	109383	CIRCUIT BREAKER, 12AMP	1
36	019084	GROMMET	1
37	104623	PLASTIC PIN	12
38	104624	SWIVEL SHAFT BOLT	2
39	103045	WHEEL BOLT	2
40	052014	FRONT WHEEL	2
41	101391	INCLINE LEG	1
42	013293	INCLINE LEG BOLT	2
43	108094	POWER SUPPLY BOARD W/CLIP	1
		106333 POWER SUPPLY BOARD	1
		125819 PLASTIC CLIPS	4
44	125819	PLASTIC STAND-OFF CLIPS	4
45	106550	POWER SUPPLY PLATE	1
46	107406	RIGHT FOOT RAIL	1
47	012179	U-NUT	2
48	008148	HOOD MOUNT ANCHOR	4
49	014127	BELT ADJUSTMENT WASHER	3
50	013275	FRONT ROLLER ADJ. BOLT	1
51	014041	TENSION WASHER	1

MODEL NUMBER: 29712
 VERSION: 00
 PRODUCT NAME: LIFESTYLER 6.0
 PRODUCT DESC:

MODEL/PART BOOK LISTING

PAGE 2
 INI023P1
 RUN DATE: 3/22/97
 RUN TIME: 9:45:23

KEY NUMBER	PART NUMBER	DESCRIPTION	QUANTITY
52	103855	J-BOLT	1
53	104514	TENSION SPRING	1
54	104649	SAFETY COVER	1
55	107595	FR RLR/PULLEY/DISC ASSY.	1
56	126255	WALKING BELT ASSEMBLY	1
57	100691	PLATFORM SCREW	6
58	053025	WALKING PLATFORM	1
59	NSP	FRAME	1
60	040156	REAR LEG ENDCAP	2
61	013162	SMALL SCREW	12
62	101362	RIGHT ROLLER BRACKET	1
63	013206	REAR ROLLER ADJ. BOLT	2
64	045010	ALLEN WRENCH	1
65	016028	WRENCH CLIP	1
66	070084	REAR ROLLER	1
67	010206	ROLLER GUARD	2
68	105462	VIDEO TRACK MODULE	1
69	101361	LEFT ROLLER BRACKET	1
70	107405	LEFT FOOT RAIL	1
71	105722	SIDE RAIL BOLT	1
72	105477	SIDE RAIL NUT	1
73	106810	MOTOR HOOD W/DECALS	1
.	.	100642 MOTOR HOOD	1
.	.	105577 MOTOR HOOD DECAL	1
.	.	107500 WIRE DIAGRAM	1
74	105617	TV CABLE	1
75	107447	SWITCH BRACKET	1
76	013088	SWITCH SCREW	1
77	102955	PHOTO INTERRUPT SWITCH	1
78	109791	INCLINE LEVER W/CN	1
.	.	088003 INCLINE LEVER	1
.	.	125151 FASTENER	1
.	.	109783 CN-ASSY INSTRUCT.	1
79	107594	SPEED DISC ASSEMBLY	1
.	.	107513 SPEED DISC	1
.	.	103617 MOUNTING TAPE	1
.	.	NOTE: IF THE SPEED DISC	0
.	.	IS NOT DAMAGED, JUST SEND	0
.	.	THE MOUNTING TAPE AND THE	0
.	.	ASSEMBLY INSTRUCTIONS BY	0
.	.	ORDERING PART #109903.	0
80	101004	BELT	1
81	016055	WIRE CLIP	1
82	012081	PIVOT NUT	1
83	NLA	VIDEO TAPE	1
.	.	NON-ILLUSTRATED PARTS:	0
#	NLA	MOTOR BRUSHES	0
#	100916	SILICONE	1
#	105575	FRAME DECAL	2
#	105577	MOTOR HOOD DECAL	1
#	107122	PART/LIST DIAGRAM	1
#	107120	OWNERS MANUAL	1
.	.	NOTE: IF WHEN ORDERING	0
.	.	THE OM THE CUSTOMER NEEDS	0

MODEL NUMBER: 29712
 VERSION: 00
 PRODUCT NAME: LIFESTYLER 6.0
 PRODUCT DESC:

MODEL/PART BOOK LISTING

PAGE 3
 1023P1
 RUN DATE: 8/22/97
 RUN TIME: 9:45:23

KEY NUMBER	PART NUMBER	DESCRIPTION	QUANTITY
.	.	THE PART LIST/DWG INSERT	0
.	.	ALSO ORDER 107122.	0
.	107463	LITERATURE PACKET	1
.	.	107120 OWNERS MANUAL	1
.	.	107122 PART LIST/DIAGRAM	1
.	.	101508 PULSE EARCLIP	1
.	.	054013 CLOTHES CLIP	1
.	.	017088 LOCK KNOB	1
.	.	014156 LOCK KNOB WASHER	1
.	.	29650 SILICONE	1
.	.	105458 HARDWARE KIT	1
.	.	016028 WRENCH CLIP	1
.	.	045010 ALLEN WRENCH	1
.	.	105722 SIDE RAIL BOLT	1
.	.	105477 SIDE RAIL NUT	2
.	.	NOTE: THIS ADDITIONAL	0
.	.	INFORMATION CAN ALSO BE	0
.	.	FOUND ON THE WIRING	0
.	.	DIAGRAM UNDER THE MOTOR	0
.	.	HOOD.	0
.	107500	WIRE DIAGRAM DECAL	1
.	102633	PHOTO INTERRUPT JUMP WIRE	1
.	105564	MOTOR/CONTRLR JUMPER WIRE	1
.	102247	BLACK JUMPER WIRE	1
.	103823	WHITE JUMPER WIRE	1
.	102634	GROUND JUMPER WIRE	1
.	103825	BLACK JUMPER WIRE	1
.	103824	WHITE JUMPER WIRE	1