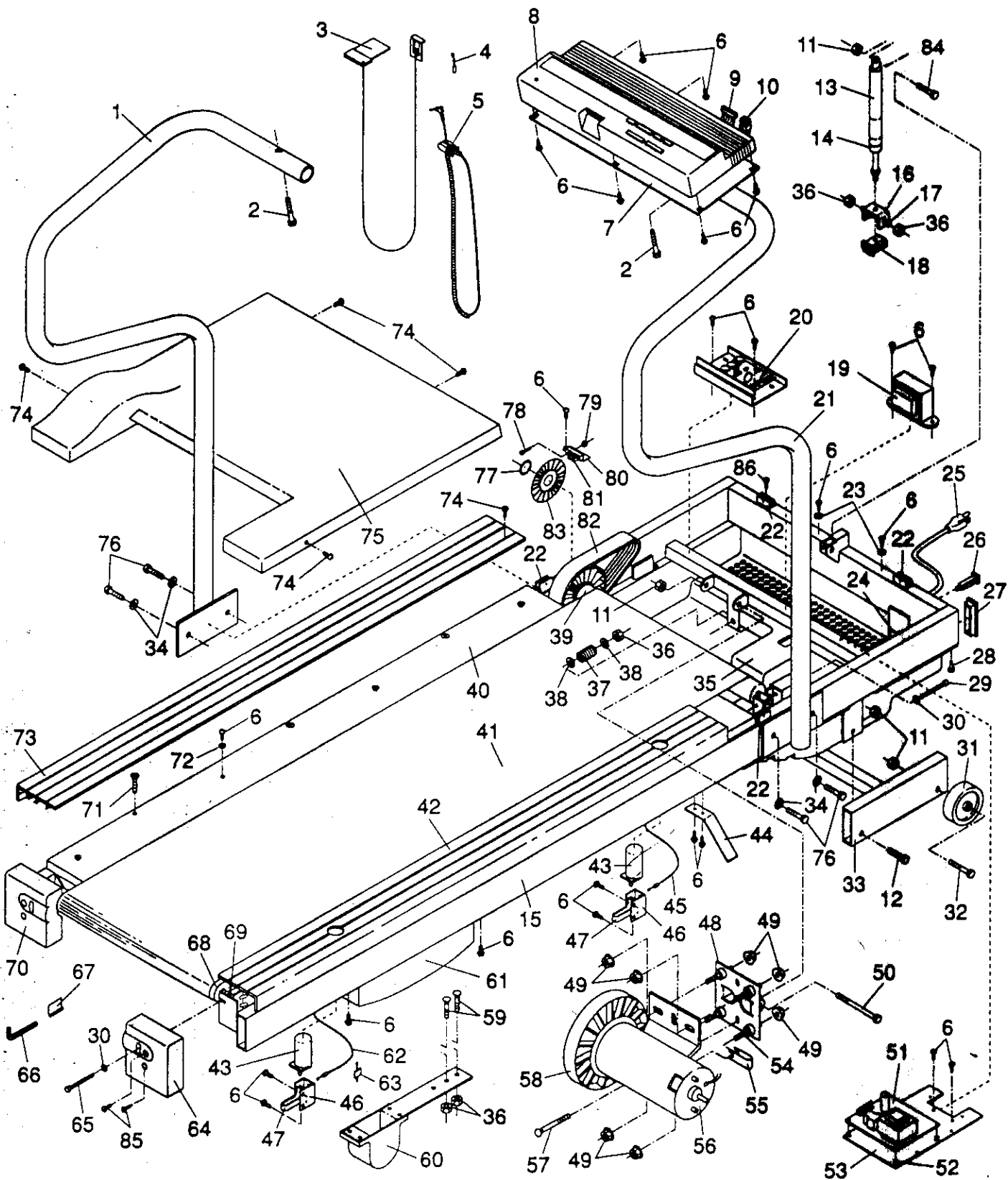


EXPLODED DRAWING—Model No. 831.297080

Rev. 11/92



MODEL NUMBER: 29708
 VERSION: 00
 PRODUCT NAME: LIFESTYLER 8.0 ESP
 PRODUCT DESC:

MODEL/PART BOOK LISTING

PAGE 1
 INI023P1
 RUN DATE: 3/22/97
 RUN TIME: 9:45:09

KEY NUMBER	PART NUMBER	DESCRIPTION	QUANTITY
1	109244	LEFT SIDERAIL	1
2	013293	SIDERAIL BOLT, 1.75"	2
3	106337	SAFETY KEY/CLIP	1
4	054013	CLOTHES CLIP	1
5	119946	PULSE/CLOTHES CLIP ASSY.	1
6	108080	SMALL SCREW	35
7	112583	CONSOLE PLATE *	1
8	111441	CONSOLE *	1
9	109251	SHORT WIRE HARNESS	2
10	109252	SIDERAIL WIRE HARNESS	1
11	012108	LOCKNUT	5
12	013564	INCLINE LEG BOLT	2
13	111436	INCLINE SHOCK *	1
14	059019	RUBBER BUMPER	1
15	NSP	FRAME	1
16	110848	SHOCK BRACKET *	1
17	013303	LOWER SHOCK BOLT	2
18	110846	SHOCK RELEASE *	1
19	031238	CHOKE	1
20	129861	CONTROLLER W/CN	1
21	109246	RIGHT SIDERAIL	1
22	109095	HOOD ANCHOR	4
23	014157	GROUND WASHER	2
24	019084	GROMMET	1
25	031229	POWER CORD	1
26	109382	CIRCUIT BREAKER	1
27	109269	FRAME ENDCAP	2
28	104623	SAFETY COVER PIN	10
29	106615	FRONT ROLLER ADJ. BOLT	1
30	014127	ROLLER ADJUSTMENT WASHER	3
31	052014	FRONT WHEEL	2
32	105329	WHEEL BOLT	2
33	110752	INCLINE LEG *	1
34	014087	SIDERAIL WASHER	4
35	108603	SAFETY COVER	1
36	012082	NUT	7
37	104514	TENSION SPRING	1
38	014041	TENSION WASHER	2
39	111437	FR RLR/SLV/PULY/DISK ASY*	1
40	124609	WALKING PLATFORM ASSEMBLY	1
.	.	124608 WALKING PLATFORM	1
.	.	127860 NAIL	12
.	.	110585 CN-ASSY INSTRUCT.	1
.	.	NOTE: THIS ASSEMBLY HAS	0
.	.	BEEN CHANGED FROM THE	0
.	.	ORIGINAL WAXED BOARD	0
41	130475	WALKING BELT ASSEMBLY	1
42	112552	RIGHT DECK RAIL *	1
43	125244	INCLINE LEVER/KNOB ASSY	2
44	109265	BELT GUIDE	2
45	110928	SHORT INCLINE CABLE *	1
46	114926	INCLINE KNOB BRACKET	2
47	.	SEE KEY# 43	2
48	110589	MOTOR MOUNT PLATE W/CN *	1

MODEL NUMBER: 29708
 VERSION: 00
 PRODUCT NAME: LIFESTYLER B.0 ESP
 PRODUCT DESC:

MODEL/PART BOOK LISTING

PAGE 2
 INI023P1
 RUN DATE: 3/22/97
 RUN TIME: 9:45:09

KEY NUMBER	PART NUMBER	DESCRIPTION	QUANTITY
.	.	109242 MOTOR MOUNT PLATE	1
.	.	110587 CN-ASSY INSTRUCT.	1
49	105477	MOTOR MOUNT NUT	8
50	101263	MOTOR PIVOT BOLT	1
51	108094	POWER SUPPLY BOARD	1
52	125819	PLASTIC STAND-OFF	4
53	109438	MOUNTING PLATE	1
54	108473	MOTOR ISOLATOR	4
55	108474	GROUND STRAP	1
56	110286	MOTOR ASSEMBLY	1
.	.	124183 MOTOR	1
.	.	122470 CN-MOTOR CHANGE	1
.	.	116878 HARDWARE KIT	1
.	.	110285 CN-ASSY INSTRUCT.	1
56A	110674	MOTOR/PULY/FLY/FAN ASSY. *	1
.	.	124183 MOTOR	1
.	.	108276 PULY/FLWH/FAN ASSY	1
.	.	110285 CN-ASSY INSTRUCT.	1
.	.	122470 CN-MOTOR CHANGE	1
.	.	116878 HARDWARE KIT	1
57	013207	CARRIAGE BOLT	1
58	108276	PULLEY/FLYWHEEL/FAN ASSY.	1
59	110926	CUSHION SPRING BOLT	4
60	111432	CUSHION SPRING FOOT *	2
61	110568	CUSHION COVER	2
62	110929	LONG INCLINE CABLE *	1
63	102585	WIRE TIE	2
64	108470	RIGHT ENDCAP	1
65	105444	REAR ROLLER ADJ. BOLT	2
66	045010	ALLEN WRENCH	1
67	016028	TOOL CLAMP	1
68	109788	REAR ROLLER W/CN *	1
.	.	105264 REAR ROLLER	1
.	.	103847 CN-ASSY INSTRUCT.	1
69	105000	REAR ROLLER SPACER	2
70	108469	LEFT ENDCAP	1
71	100691	PLATFORM SCREW	6
72	109278	DECK RAIL WASHER	8
73	112551	LEFT DECK RAIL *	1
74	108404	HOOD/DECK RAIL SCREW	6
75	111443	MOTOR HOOD W/DECAL *	1
.	.	108433 MOTOR HOOD	1
.	.	110756 MOTOR HOOD DECAL	1
.	.	110757 WIRE DIAGRAM DECAL	1
76	116068	SIDERAIL BOLT	4
77	108778	SPEED DISK RETAINER	1
78	102959	SWITCH BOLT	1
79	012152	SWITCH NUT	1
80	109103	SPEED SWITCH BRACKET	1
81	102955	OPTIC SWITCH	1
82	106939	BELT	1
83	111444	SPEED DISK ASSEMBLY *	1
.	.	110398 SPEED DISK	1
.	.	108778 DISK RETAINER	1

MODEL NUMBER: 29708
 VERSION: 00
 PRODUCT NAME: LIFESTYLER 8.0 ESP
 PRODUCT DESC:

MODEL/PART BOOK LISTING

PAGE 3
 INI023P1
 RUN DATE: 3/22/97
 RUN TIME: 9:45:09

KEY NUMBER	PART NUMBER	DESCRIPTION	QUANTITY
		111445 CONSUMER NOTICE	1
84	101639	SHOCK PIN	1
85	013300	ENDCAP SCREW	4
86	101049	HOOD TAB SCREW	4
.	.	NON-ILLUSTRATED PARTS:	0
*	106334	COTTER PIN	1
*	110756	MOTOR HOOD DECAL *	1
*	110757	WIRE DIAGRAM DECAL *	1
*	110886	CUSHION DECAL	1
*	105575	FRAME DECAL	1
*	110758	OWNER'S MANUAL	1
	110759	LITERATURE PACKET	1
.	.	110758 OWNER'S MANUAL	1
.	.	112589 PULSE EARCLIP	1
.	.	109282 HARDWARE KIT	1
.	.	016028 WRENCH CLIP	1
.	.	045010 ALLEN WRENCH	1
.	.	014087 FLAT WASHER	4
.	.	104063 1.75" SDRL BOLT	4
.	.	013293 1.75" SDRL BOLT	2
.	.	014041 WASHER	2
.	.	*--THESE ARE ESTIMATED	0
.	.	COSTS!!!!	0