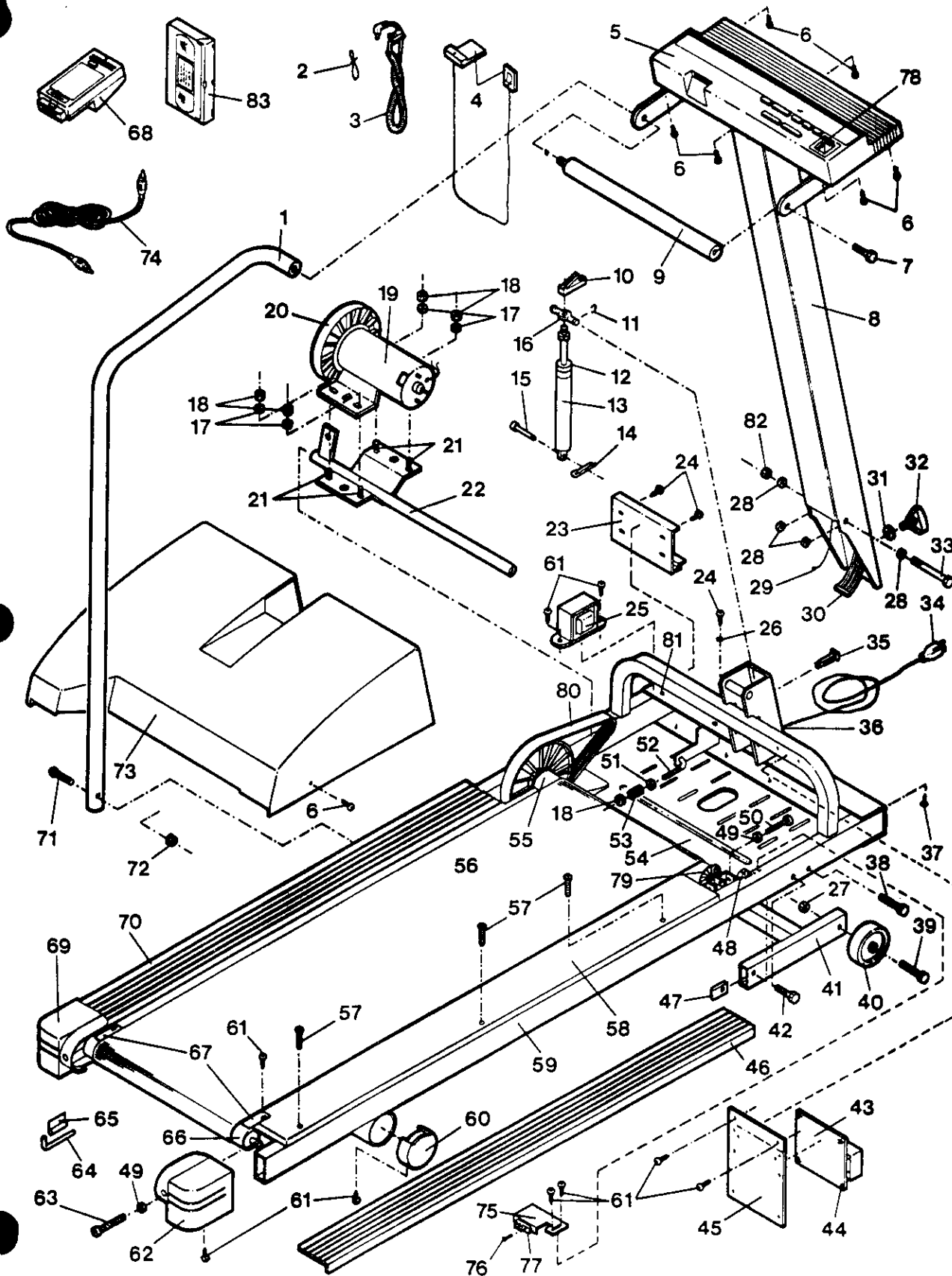


LIFESTYLER 6.0 MPH

PART LIST—Model No. 831.297120

Rev. 2/92



MODEL NUMBER: 29712
VERSION: 00
PRODUCT NAME: LIFESTYLER 6.0
PRODUCT DESC:

MODEL/PART BOOK LISTING

PAGE 1
INI023P1
RUN DATE: 3/22/97
RUN TIME: 9:45:23

| KEY NUMBER | PART NUMBER | DESCRIPTION | QUANTITY |
|------------|-------------|---------------------------|----------|
| 1 | 106116 | SIDE RAIL | 1 |
| 2 | 054013 | CLOTHES CLIP | 1 |
| 3 | 119946 | PULSE/CLOTHES CLIP ASSY. | 1 |
| 4 | 106337 | SAFETY KEY/CLIP | 1 |
| 5 | 107375 | CONSOLE ASSEMBLY | 1 |
| 6 | 104626 | CONSOLE SCREW | 10 |
| 7 | 104581 | HANDRAIL BOLT | 1 |
| 8 | 107446 | UPRIGHT POST | 1 |
| 9 | 105713 | HANDRAIL | 1 |
| 10 | 088004 | CYLINDER RELEASE | 1 |
| 11 | 054016 | E-CLIP | 1 |
| 12 | 059019 | LIFT CUSHION | 1 |
| 13 | 043036 | LIFT CYLINDER | 1 |
| 14 | 106334 | COTTER PIN | 1 |
| 15 | 101639 | CYLINDER PIN | 1 |
| 16 | 008149 | CYLINDER MOUNTING BRACKET | 1 |
| 17 | 101630 | MOTOR MOUNT WASHER | 4 |
| 18 | 012082 | MOTOR MOUNT NUT | 5 |
| 19 | 121876 | MOTOR | 1 |
| 19A | 103997 | MTR/PULY/FLY/FAN ASSEMBLY | 1 |
| 20 | 100147 | PULLEY/FLYWHEEL/FAN | 1 |
| 21 | 013445 | MOTOR MOUNT BOLT | 4 |
| 22 | 102087 | MOTOR MOUNT SWIVEL SHAFT | 1 |
| 23 | 129861 | CONTROLLER W/RI | 1 |
| 24 | 013423 | SCREW | 3 |
| 25 | 031238 | CHOKE | 1 |
| 26 | 014157 | GROUND WASHER | 1 |
| 27 | 012108 | WHEEL NUT | 2 |
| 28 | 014079 | PIVOT WASHER | 4 |
| 29 | 088005 | INCLINE CABLE | 1 |
| 30 | 106816 | WIRE HARNESS | 1 |
| 31 | 014156 | LOCK KNOB WASHER | 1 |
| 32 | 017088 | LOCK KNOB | 1 |
| 33 | 013368 | PIVOT BOLT | 1 |
| 34 | 031229 | POWER CORD | 1 |
| 35 | 109383 | CIRCUIT BREAKER, 12AMP | 1 |
| 36 | 019084 | GROMMET | 1 |
| 37 | 104623 | PLASTIC PIN | 12 |
| 38 | 104624 | SWIVEL SHAFT BOLT | 2 |
| 39 | 103045 | WHEEL BOLT | 2 |
| 40 | 052014 | FRONT WHEEL | 2 |
| 41 | 101391 | INCLINE LEG | 1 |
| 42 | 013293 | INCLINE LEG BOLT | 2 |
| 43 | 108094 | POWER SUPPLY BOARD W/CLIP | 1 |
| | | 106333 POWER SUPPLY BOARD | 1 |
| | | 125819 PLASTIC CLIPS | 4 |
| 44 | 125819 | PLASTIC STAND-OFF CLIPS | 4 |
| 45 | 106550 | POWER SUPPLY PLATE | 1 |
| 46 | 107406 | RIGHT FOOT RAIL | 1 |
| 47 | 012179 | U-NUT | 2 |
| 48 | 008148 | HOOD MOUNT ANCHOR | 4 |
| 49 | 014127 | BELT ADJUSTMENT WASHER | 3 |
| 50 | 013275 | FRONT ROLLER ADJ. BOLT | 1 |
| 51 | 014041 | TENSION WASHER | 1 |

MODEL NUMBER: 29712
 VERSION: 00
 PRODUCT NAME: LIFESTYLER 6.0
 PRODUCT DESC:

MODEL/PART BOOK LISTING

PAGE 2
 INI023P1
 RUN DATE: 3/22/97
 RUN TIME: 9:45:23

| KEY NUMBER | PART NUMBER | DESCRIPTION | QUANTITY |
|------------|-------------|---------------------------|----------|
| 52 | 103855 | J-BOLT | 1 |
| 53 | 104514 | TENSION SPRING | 1 |
| 54 | 104649 | SAFETY COVER | 1 |
| 55 | 107595 | FR RLR/PULLEY/DISC ASSY. | 1 |
| 56 | 126255 | WALKING BELT ASSEMBLY | 1 |
| 57 | 100691 | PLATFORM SCREW | 6 |
| 58 | 053025 | WALKING PLATFORM | 1 |
| 59 | NSP | FRAME | 1 |
| 60 | 040156 | REAR LEG ENDCAP | 2 |
| 61 | 013162 | SMALL SCREW | 12 |
| 62 | 101362 | RIGHT ROLLER BRACKET | 1 |
| 63 | 013206 | REAR ROLLER ADJ. BOLT | 2 |
| 64 | 045010 | ALLEN WRENCH | 1 |
| 65 | 016028 | WRENCH CLIP | 1 |
| 66 | 070084 | REAR ROLLER | 1 |
| 67 | 010206 | ROLLER GUARD | 2 |
| 68 | 105462 | VIDEO TRACK MODULE | 1 |
| 69 | 101361 | LEFT ROLLER BRACKET | 1 |
| 70 | 107405 | LEFT FOOT RAIL | 1 |
| 71 | 105722 | SIDE RAIL BOLT | 1 |
| 72 | 105477 | SIDE RAIL NUT | 1 |
| 73 | 106810 | MOTOR HOOD W/DECALS | 1 |
| . | . | 100642 MOTOR HOOD | 1 |
| . | . | 105577 MOTOR HOOD DECAL | 1 |
| . | . | 107500 WIRE DIAGRAM | 1 |
| 74 | 105617 | TV CABLE | 1 |
| 75 | 107447 | SWITCH BRACKET | 1 |
| 76 | 013088 | SWITCH SCREW | 1 |
| 77 | 102955 | PHOTO INTERRUPT SWITCH | 1 |
| 78 | 109791 | INCLINE LEVER W/CN | 1 |
| . | . | 088003 INCLINE LEVER | 1 |
| . | . | 125151 FASTENER | 1 |
| . | . | 109783 CN-ASSY INSTRUCT. | 1 |
| 79 | 107594 | SPEED DISC ASSEMBLY | 1 |
| . | . | 107513 SPEED DISC | 1 |
| . | . | 103617 MOUNTING TAPE | 1 |
| . | . | NOTE: IF THE SPEED DISC | 0 |
| . | . | IS NOT DAMAGED, JUST SEND | 0 |
| . | . | THE MOUNTING TAPE AND THE | 0 |
| . | . | ASSEMBLY INSTRUCTIONS BY | 0 |
| . | . | ORDERING PART #109903. | 0 |
| 80 | 101004 | BELT | 1 |
| 81 | 016055 | WIRE CLIP | 1 |
| 82 | 012081 | PIVOT NUT | 1 |
| 83 | NLA | VIDEO TAPE | 1 |
| . | . | NON-ILLUSTRATED PARTS: | 0 |
| # | NLA | MOTOR BRUSHES | 0 |
| # | 100916 | SILICONE | 1 |
| # | 105575 | FRAME DECAL | 2 |
| # | 105577 | MOTOR HOOD DECAL | 1 |
| # | 107122 | PART/LIST DIAGRAM | 1 |
| # | 107120 | OWNERS MANUAL | 1 |
| . | . | NOTE: IF WHEN ORDERING | 0 |
| . | . | THE OM THE CUSTOMER NEEDS | 0 |

MODEL NUMBER: 29712
 VERSION: 00
 PRODUCT NAME: LIFESTYLER 6.0
 PRODUCT DESC:

MODEL/PART BOOK LISTING

PAGE 3
 1023P1
 RUN DATE: 8/22/97
 RUN TIME: 9:45:23

| KEY NUMBER | PART NUMBER | DESCRIPTION | QUANTITY |
|------------|-------------|---------------------------|----------|
| . | . | THE PART LIST/DWG INSERT | 0 |
| . | . | ALSO ORDER 107122. | 0 |
| . | 107463 | LITERATURE PACKET | 1 |
| . | . | 107120 OWNERS MANUAL | 1 |
| . | . | 107122 PART LIST/DIAGRAM | 1 |
| . | . | 101508 PULSE EARCLIP | 1 |
| . | . | 054013 CLOTHES CLIP | 1 |
| . | . | 017088 LOCK KNOB | 1 |
| . | . | 014156 LOCK KNOB WASHER | 1 |
| . | . | 29650 SILICONE | 1 |
| . | . | 105458 HARDWARE KIT | 1 |
| . | . | 016028 WRENCH CLIP | 1 |
| . | . | 045010 ALLEN WRENCH | 1 |
| . | . | 105722 SIDE RAIL BOLT | 1 |
| . | . | 105477 SIDE RAIL NUT | 2 |
| . | . | NOTE: THIS ADDITIONAL | 0 |
| . | . | INFORMATION CAN ALSO BE | 0 |
| . | . | FOUND ON THE WIRING | 0 |
| . | . | DIAGRAM UNDER THE MOTOR | 0 |
| . | . | HOOD. | 0 |
| . | 107500 | WIRE DIAGRAM DECAL | 1 |
| . | 102633 | PHOTO INTERRUPT JUMP WIRE | 1 |
| . | 105564 | MOTOR/CONTRLR JUMPER WIRE | 1 |
| . | 102247 | BLACK JUMPER WIRE | 1 |
| . | 103823 | WHITE JUMPER WIRE | 1 |
| . | 102634 | GROUND JUMPER WIRE | 1 |
| . | 103825 | BLACK JUMPER WIRE | 1 |
| . | 103824 | WHITE JUMPER WIRE | 1 |