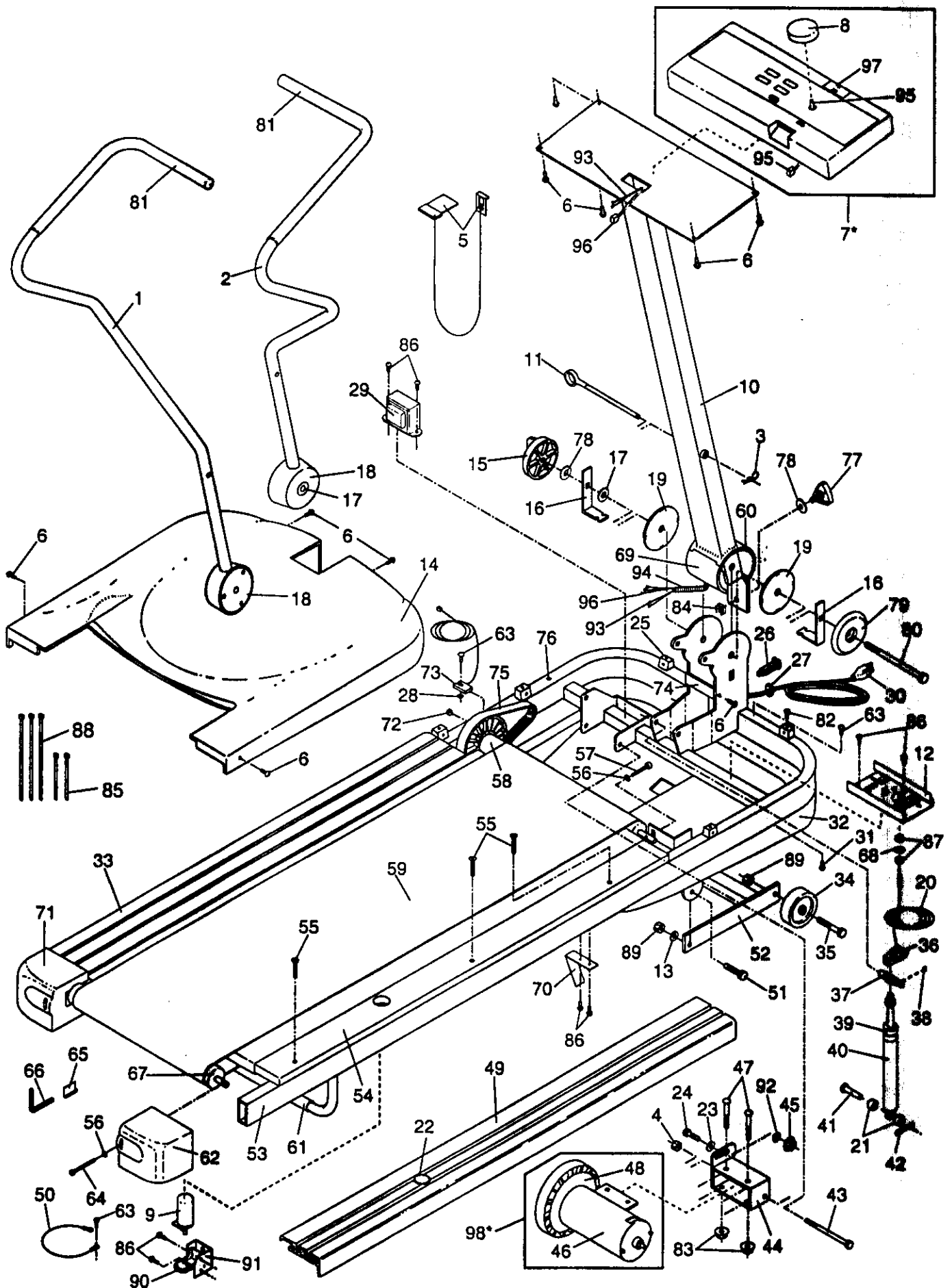


EXPLODED DRAWING—Model No. 831.297231

Rev. 9/95



MODEL NUMBER: 29723
VERSION: 01
PRODUCT NAME: CROSSWALK
PRODUCT DESC:

MODEL/PART BOOK LISTING

PAGE 1
INI023P1
RUN DATE: 3/22/97
RUN TIME: 9:46:25

KEY NUMBER	PART NUMBER	DESCRIPTION	QUANTITY
.	.	CROSSWALK TREADMILL	0
1	122635	LT UPPR BODYARM W/FOAM	1
2	122636	RT UPPR BODYARM W/FOAM	1
3	015044	HAIRPIN COTTER	1
4	012108	MOTOR SWIVEL NUT	1
5	114575	SAFETY KEY/CLIP	1
6	108404	SCREW	10
7	127726	CONSOLE	1
8	110000	SPEED CONTROL KNOB	1
9	126242	FOOT INCLINE KNOB	1
10	121266	UPRIGHT	1
11	121544	LOCK PIN	1
12	133681	CONTROLLER	1
13	124009	INCLINE LEG WASHER	2
14	125263	MOTOR HOOD	1
15	116693	RESISTANCE CONTROL	1
16	110193	FRICTION BRACKET	2
17	014087	FLAT WASHER	2
18	122634	UPPER BODY ARM HOUSING	2
19	112286	FRICTION PLATE	2
20	124301	INCLINE CABLE	1
21	126155	SHOCK SPACER	2
22	126243	INCLINE KNOB SLEEVE	1
23	122812	TENSION WASHER	1
24	013547	TENSION BOLT	1
25	113106	HOOD BRACKET	5
26	109382	CIRCUIT BREAKER	1
27	124695	GROMMET	1
28	014157	REED SWITCH WASHER	1
29	031238	CHOKE	1
30	124669	POWER CORD	1
31	013162	SAFETY COVER SCREW	8
32	125790	SAFETY COVER	1
33	125264	LEFT FOOT RAIL W/FASTENER	1
34	052014	FRONT WHEEL	2
35	117806	WHEEL BOLT	2
36	118202	SHOCK RELEASE	1
37	115672	SHOCK BRACKET	1
38	054016	E-CLIP	1
39	059019	SHOCK CUSHION	1
40	111436	INCLINE SHOCK	1
41	106616	SHOCK PIN	1
42	106334	COTTER PIN	1
43	107503	MOTOR PIVOT BOLT	1
44	122632	MOTOR MOUNT BRACKET	1
45	120867	MOTOR TENSION NUT	1
46	124100	MOTOR	1
47	123385	MOTOR BOLT	2
48	112825	PULLEY/FLYWHEEL/FAN	1
49	125265	RIGHT FOOT RAIL W/FASTENR	1
50	114261	MOTOR GROUND WIRE	1
51	121446	INCLINE LEG BOLT	2
52	121109	INCLINE LEG	1
53	NSP	FRAME	1

MODEL NUMBER: 29723
 VERSION: 01
 PRODUCT NAME: CROSSWALK
 PRODUCT DESC:

MODEL/PART BOOK LISTING

PAGE 2
 INI023P1

RUN DATE: 3/22/97
 RUN TIME: 9:46:25

KEY NUMBER	PART NUMBER	DESCRIPTION	QUANTITY
54	125266	WALKING PLATFORM	1
55	100691	PLATFORM SCREW	6
56	014127	ROLLER ADJUST WASHER	3
57	112609	FRONT ROLLER ADJUST BOLT	1
58	126110	FRONT ROLLER/PULLEY	1
59	124098	WALKING BELT	1
60	121267	UPRIGHT COVER, LONG	1
61	110407	REAR LEG PAD	1
62	125268	RIGHT ENDCAP	1
63	013300	REED SWITCH SCREW	3
64	105444	REAR ROLLER ADJUST BOLT	2
65	016028	WRENCH CLIP	1
66	045010	ALLEN WRENCH	1
67	110245	REAR ROLLER	1
68	014066	CABLE WASHER	1
69	121268	UPRIGHT COVER, SHORT	1
70	124318	BELT GUIDE	2
71	125267	LEFT ENDCAP	1
72	100498	MAGNET	1
73	115569	REED SWITCH/SENSOR WIRE	1
74	121272	MECHANISM COVER	1
75	118016	BELT	1
76	016055	WIRE CLIP	2
77	017088	LOCK KNOB	1
78	014156	LOCK KNOB/CONTROL WASHER	2
79	121269	MECHANISM COVER	1
80	109515	PIVOT BOLT	1
81	112023	UPPER BDY ARM FOAM GRIP	2
82	101049	HOOD BRACKET SCREW	5
83	105477	MOTOR NUT	2
84	111869	CAGE NUT	1
85	016029	4" CABLE TIE	2
86	120630	BELT GUIDE/BRACKET SCREW	10
87	012146	CABLE NUT	2
88	016057	8" CABLE TIE	3
89	012056	NUT	4
90	116435	INCLINE LEVER	1
91	124302	INCLINE KNOB BRACKET	1
92	014117	MOTOR TENSION STAR WASHER	1
93	124615	UPRIGHT WIRE HARNESS	1
94	113203	6" CABLE LOOM	1
95	129416	POTENTIOMETER	1
96	124703	POT WIRE	1
97	110402	BATTERY COVER	1
98	124151	MTR/PULY/FLWH/FAN	1
.	.	NON-ILLUSTRATED PARTS	0
*	NLA	BATTERY	2
*	116131	POWER BOARD WIRE HARNESS	1
*	114011	4" BLACK WIRE, M/F	1
*	107771	8" WHITE WIRE, M/F	1
*	125245	TECH SHEET	1
*	123945	TECH SHEET ENVELOPE	1
*	127860	FASTENERS	12
*	110196	FRAME DECAL	2

MODEL NUMBER: 29723
VERSION: 01
PRODUCT NAME: CROSSWALK
PRODUCT DESC:

MODEL/PART BOOK LISTING

PAGE 3
INI023P1
RUN DATE: 3/22/97
RUN TIME: 9:46:25

KEY NUMBER	PART NUMBER	DESCRIPTION	QUANTITY
#	110081	MOTOR HOOD DECAL	1
#	125824	USER'S MANUAL	1
#	125825	LITERATURE PACKET	1
.	125824	USER'S MANUAL	1
.	017088	LOCK KNOB	1
.	112817	HARDWARE KIT	1
.	016028	CLAMP	1
.	045010	3/16" ALLEN WRENCH	1
.	014156	3/8" FLAT WASHER	1
.	.	** - THESE ARE ESTIMATED	0
.	.	COST!!	0