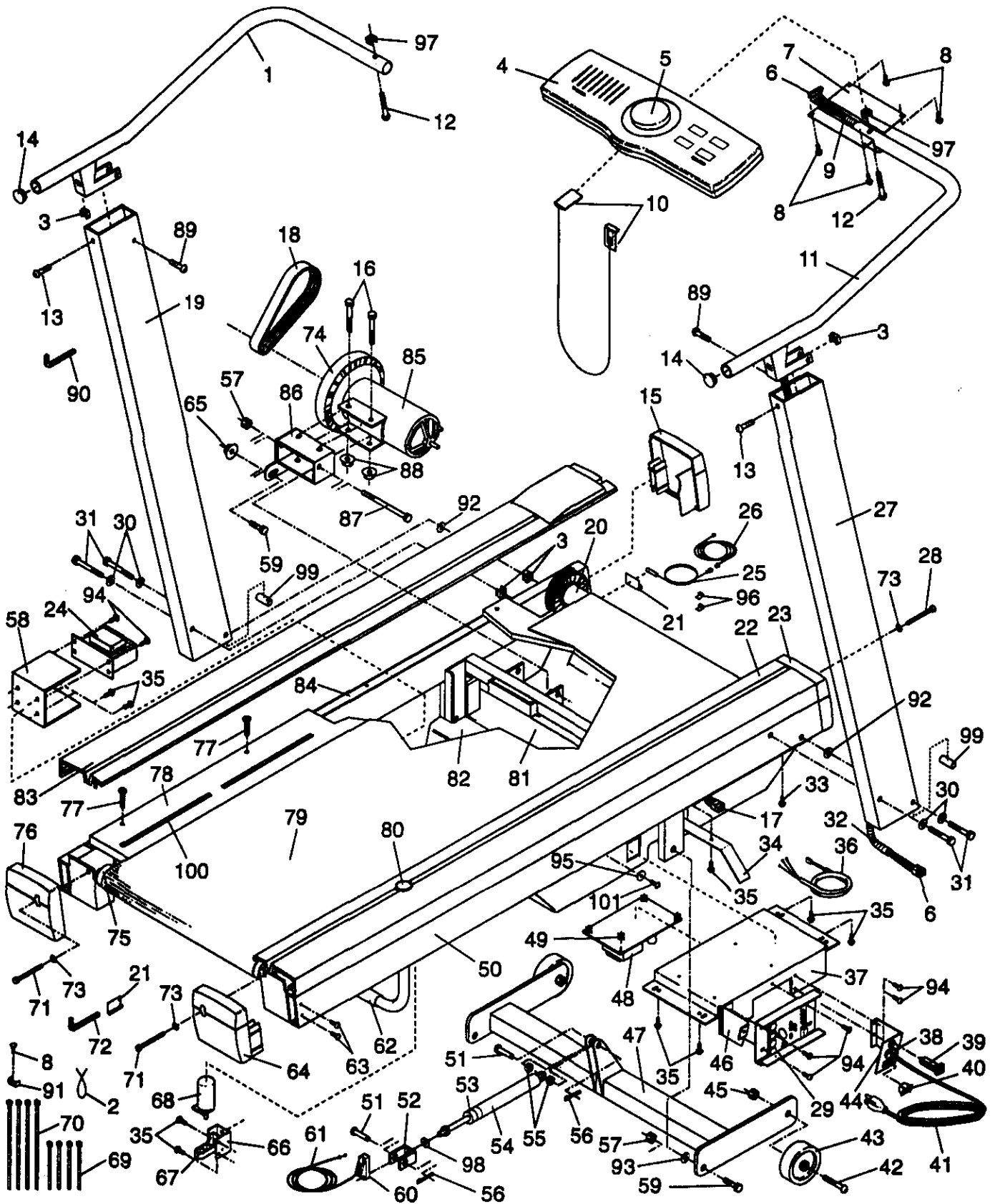


# EXPLODED DRAWING—Model No. 831.297242

Rev. 1/95



MODEL NUMBER: 29724  
VERSION: 02  
PRODUCT NAME: LIFESTYLER EXPANSE 8.0  
PRODUCT DESC:

MODEL/PART BOOK LISTING

PAGE 1  
INI023P1  
RUN DATE: 7/25/96  
RUN TIME: 9:16:01

KEY NUMBER	PART NUMBER	DESCRIPTION	QUANTITY
	.	LIFESTYLER EXPANSE 8.0	0
1	120786	LEFT HANDRAIL	1
2	116926	CABLE TIE	2
3	111869	CAGE NUT	8
4	120718	CONSOLE W/RI	1
.	.	118318 CONSOLE	1
.	.	120717 REPLACEMENT INSTR.	1
5	120803	SPEED CONTROL KNOB	1
6	120065	HANDRAIL WIRE HARNESS	1
7	114001	CONSOLE PLATE	1
8	013141	CONSOLE SCREW	4
9	113203	6" CABLE LOOM	1
10	119038	SAFETY KEY/CLIP	1
11	120787	RIGHT HANDRAIL	1
12	013438	HANDRAIL/CONSOLE BOLT	2
13	119994	LOCK BOLT	2
14	114005	HANDRAIL CAP	2
15	119428	FRONT LEFT ENDCAP	1
16	123385	MOTOR BOLT	2
17	120066	UPRIGHT WIRE HARNESS 20"	1
18	118017	BELT	1
19	120293	LEFT UPRIGHT	1
20	120445	FRONT ROLLER/PULLEY ASSY	1
.	.	121657 FR RLR/PULY ASSY	1
.	.	120444 REPLACEMENT INSTR.	1
21	016028	WRENCH CLIP	2
22	120800	RIGHT FOOT RAIL ASSEMBLY	1
.	.	119879 RIGHT FOOT RAIL	1
.	.	127860 NAIL	6
.	.	107103 REPLACEMENT INSTR.	1
23	119429	FRONT RIGHT ENDCAP	1
24	109365	CHOKE	1
25	118153	REED SWITCH/SENSOR WIRE	1
26	120168	EXTENSION WIRE	1
27	120292	RIGHT UPRIGHT	1
28	112609	FRONT ROLLER ADJ. BOLT	1
29	110447	CONTROLLER W/RI	1
.	.	108580 CONTROLLER	1
.	.	110446 REPLACEMENT INSTR.	1
30	014132	UPRIGHT WASHER	8
31	112001	UPRIGHT BOLT	4
32	113204	12" CABLE LOOM	1
33	013162	SAFETY COVER SCREW	17
34	118148	BELT GUIDE	1
35	108080	SCREW	11
36	105989	CONTROLLER WIRE	1
37	123308	ELECTRONIC MTG BRACKET	1
38	019084	GROMMET	1
39	109382	CIRCUIT BREAKER	1
40	119163	ON/OFF SWITCH	1
41	031229	POWER CORD	1
42	117806	WHEEL BOLT	2
43	052014	FRONT WHEEL	2
44	119026	POWER CORD BRACKET	1

MODEL NUMBER: 29724  
 VERSION: 02  
 PRODUCT NAME: LIFESTYLER EXPANSE 8.0  
 PRODUCT DESC:

MODEL/PART BOOK LISTING

PAGE 2  
 INI023P1  
 RUN DATE: 7/25/96  
 RUN TIME: 9:16:01

KEY NUMBER	PART NUMBER	DESCRIPTION	QUANTITY
45	012056	WHEEL NUT	2
46	119416	SAFETY COVER BRACKET	1
47	118650	INCLINE LEG	1
48	120716	POWER BOARD W/RI	1
.	.	118052 POWER BOARD	1
.	.	120715 REPLACEMENT INSTR.	1
49	015071	PLASTIC STAND OFF	4
50	NSP	FRAME	1
51	112669	SHOCK PIN	2
52	118569	SHOCK BRACKET	1
53	122403	SHOCK CUSHION	1
54	122002	INCLINE SHOCK W/RI	1
.	.	120816 INCLINE SHOCK	1
.	.	122001 REPLACEMENT INSTR*	1
55	114270	SHOCK SPACER	2
56	106334	COTTER PIN	2
57	012149	LOCK NUT	2
58	120909	CHOKE BRACKET	1
59	013547	LEG/MOTOR TENSION BOLT	3
60	118202	SHOCK RELEASE	1
61	119919	INCLINE CABLE	1
62	110407	REAR LEG PAD	1
63	013028	REAR ENDCAP SCREW	4
64	119431	RIGHT REAR ENDCAP	1
65	120867	LOCK NUT	2
66	122282	INCLINE KNOB BRACKET	1
67	116435	INCLINE LEVER	1
68	116434	FOOT INCLINE KNOB	1
69	016029	4" CABLE TIE	4
70	016057	8" CABLE TIE	4
71	105444	REAR ROLLER ADJ. BOLT	2
72	123355	ALLEN WRENCH 3/16"	1
73	014127	ROLLER ADJ. WASHER	3
74	113278	PULLEY/FLYWHEEL/FAN	1
75	109788	REAR ROLLER W/RI	1
.	.	105264 REAR ROLLER	1
.	.	103847 REPLACEMENT INSTR.	1
76	119430	LEFT REAR ENDCAP	1
77	119779	PLATFORM SCREW	8
78	120710	WALKING PLATFORM ASSY	1
.	.	120026 WALKING PLATFORM	1
.	.	120668 REPLACEMENT INSTR.	1
.	.	122129 SHIM	6
.	.	127860 NAIL	12
79	130475	WALKING BELT ASSEMBLY	1
80	119935	INCLINE KNOB SLEEVE	1
81	118923	FRONT SAFETY COVER	1
82	120802	REAR SAFETY COVER W/DECAL	1
.	.	121176 REAR SAFETY CVR	1
.	.	120061 WIRE DIAGRAM DECAL	1
83	120799	LEFT FOOT RAIL ASSEMBLY	1
.	.	119878 LEFT FOOT RAIL	1
.	.	119442 COVER	1
.	.	013516 SCREW	4

MODEL NUMBER: 29724

MODEL/PART BOOK LISTING

PAGE 3

VERSION: 02

INI023P1

PRODUCT NAME: LIFESTYLER EXPANSE 8.0

RUN DATE: 7/25/96

PRODUCT DESC:

RUN TIME: 9:16:01

KEY NUMBER	PART NUMBER	DESCRIPTION	QUANTITY
.	.	127860 NAIL	6
.	.	107103 REPLACEMENT INSTR.	1
84	120780	DECK SHIM	2
85	120713	MOTOR W/RI	1
.	.	124184 MOTOR	1
.	.	120712 REPLACEMENT INST	1
85A	120714	MTR/PULY/FLWH/FAN ASSY.	1
86	122644	MOTOR MOUNTING BRACKET	1
.	.	121588 MOTOR MTG BRACKET	1
.	.	120739 REPLACEMENT INSTR.	1
87	107503	MOTOR SWIVEL BOLT	1
88	105477	MOTOR NUT	2
89	122137	HANDRAIL BOLT	2
90	045017	7/32" ALLEN WRENCH	1
91	116927	TIE HOLDER	2
92	014117	UPRIGHT STAR WASHER	2
93	014086	3/8" FLAT WASHER	5
94	120866	SMALL SCREW	7
95	104188	FLAT WASHER	2
96	131219	WIRE CLIP	2
97	111430	HANDRAIL CAGE NUT	2
98	104345	SHOCK STAR WASHER	1
99	122332	UPRIGHT SPACER	2
100	122129	FOOT RAIL SHIM	6
101	013300	REAR SAFETY COVER SCREW	2
.	.	NON-ILLUSTRATED PARTS	0
#	102634	GROUND WIRE, POWER BOARD TO FRAME, 8", GREEN	1 0
#	107771	JUMP WIRE, POWER CORD TO POWER BOARD, 8", WHITE	1 0
#	118201	JUMP WIRE, RED, MOTOR TO CONTROLLER, 8"	1 0
#	102246	JUMP WIRE, POWER BOARD TO FRAME, WHITE, 8"	1 0
#	101898	JUMP WIRE, CIRCUIT BOARD TO POWER BOARD, BLK, 14"	1 0
#	112083	JUMP WIRE, CONTROLLER TO MOTOR, BLUE, 8"	1 0
#	109407	JUMP WIRE, ON/OFF SWITCH TO CIRCUIT BREAKER, 4"	1 0
#	101897	14" WHITE WIRE, 2F	1
#	114011	4" BLACK WIRE, M/F	1
#	118204	8" BLUE WIRE, M/F	1
#	129737	SLIDE POT KNOB	1
#	120061	WIRE DIAGRAM DECAL	1
#	121798	LEFT FRAME DECAL	1
#	121890	RIGHT FRAME DECAL	1
#	115872	STRAIN RELIEF	1
#	122759	OWNER'S MANUAL	1
.	122760	LITERATURE PACKET	1
.	.	122759 OWNER'S MANUAL	1
.	.	070307 SILICONE	1
.	.	120069 HARDWARE KIT	1
.	.	016028 WRENCH CLIP	1

MODEL NUMBER: 29724

MODEL/PART BOOK LISTING

PAGE 4

VERSION: 02

INI023P1

PRODUCT NAME: LIFESTYLER EXPANSE 8.0

RUN DATE: 7/25/96

PRODUCT DESC:

RUN TIME: 9:16:01

KEY NUMBER	PART NUMBER	DESCRIPTION	QUANTITY
.	.	123355 3/16" WRENCH	1
.	.	045017 7/32" WRENCH	1
.	.	014132 3/8" WASHER	1
.	.	112001 3/8" X 3" SCREW	2
.	.	119994 3/8" X1.25" SCREW	2