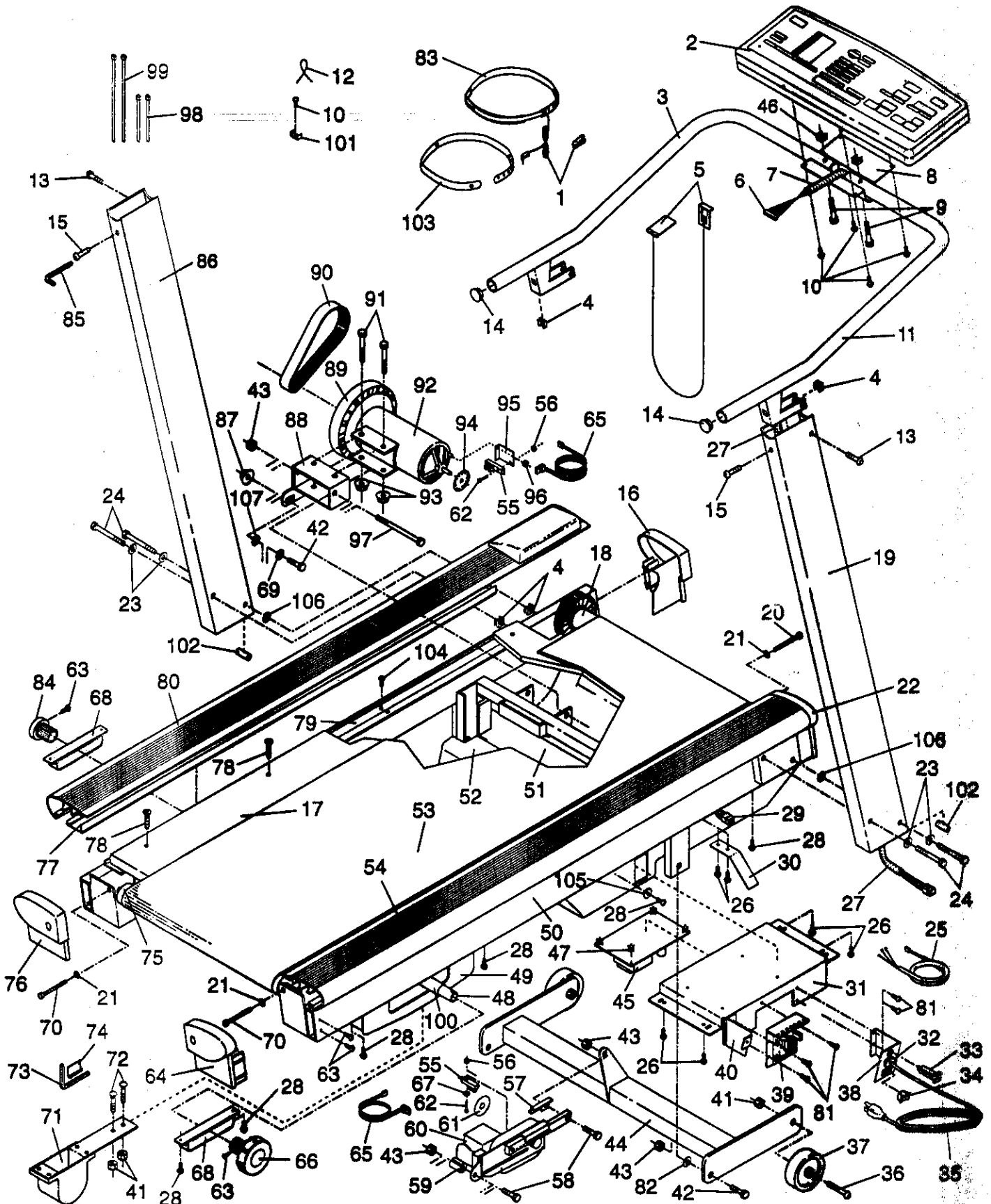


# EXPLODED DRAWING—Model No. 831.297281

Rev. 3/05



MODEL NUMBER: 29728  
 VERSION: 01  
 PRODUCT NAME: LIFESTYLER EXPANSE 2000  
 PRODUCT DESC:

MODEL/PART BOOK LISTING

PAGE 1  
 1023P1  
 RUN DATE: 2/08/97  
 RUN TIME: 8:04:18

KEY NUMBER	PART NUMBER	DESCRIPTION	QUANTITY
	.	LIFESTYLER EXPANSE 2000	0
1	128081	PULSE SENSOR	1
2	122220	CONSOLE W/RI	1
.	.	120539 CONSOLE	1
.	.	122216 REPLACEMENT INSTR	1
3	122618	LEFT HANDRAIL	1
4	111869	CAGE NUT	8
5	114265	SAFETY KEY/CLIP	1
6	122647	CONSOLE WIRE HARNESS	1
7	113203	6" CABLE LOOM	1
8	120956	CONSOLE PLATE	1
9	122137	3/8" BOLT	2
10	013141	CONSOLE SCREW	5
11	122619	RIGHT HANDRAIL	1
12	116926	CABLE TIE	1
13	013438	HANDRAIL PIVOT BOLT	4
14	114005	HANDRAIL ENDCAP	2
15	013365	3/8" X 1.5" BOLT	2
16	119816	LEFT FRONT ENDCAP	1
17	122189	WALKING PLATFORM ASSEMBLY	1
18	122213	FRONT ROLLER/PULLEY ASSY	1
19	120297	RIGHT UPRIGHT	1
20	112609	FRONT ROLLER ADJ. BOLT	1
21	014127	ROLLER ADJ. WASHER	3
22	119824	FRONT RIGHT ENDCAP	1
23	014132	FLAT WASHER	4
24	013430	UPRIGHT BOLT	4
25	120311	POWER BOARD-CNTRLLR WIRE	1
26	108080	SCREW	10
27	113204	12" CABLE LOOM	2
28	013162	SAFETY COVER SCREW	19
29	120823	SAFETY COVER WIRE HARNESS	1
30	119013	BELT GUIDE	1
31	123308	ELECTRONICS BRACKET	1
32	019084	GROMMET	1
33	109382	CIRCUIT BREAKER	1
34	119163	ON/OFF SWITCH	1
35	031229	POWER CORD	1
36	117806	FRONT WHEEL BOLT	2
37	052014	FRONT WHEEL	2
38	119026	POWER CORD BRACKET	1
39	120767	CONTROLLER W/RI	1
40	119416	SAFETY COVER BRACKET	1
41	012056	WHEEL/CUSHION FOOT NUT	6
42	013547	LEG/MOTOR TENSION BOLT	3
43	012149	LEG/MOTOR TENSION NUT	4
44	119020	INCLINE LEG	1
45	122215	POWER BOARD W/RI	1
.	.	118053 POWER BOARD	1
.	.	122214 REPLACEMENT INSTR	1
#	110463	POWER BOARD FUSE	1
46	111430	HANDRAIL CAGE NUT	4
47	125819	PLASTIC STAND-OFF	4
48	120921	CUSHION ROD	1

MODEL NUMBER: 29728  
 VERSION: 01  
 PRODUCT NAME: LIFESTYLER EXPANSE 2000  
 PRODUCT DESC:

MODEL/PART BOOK LISTING

PAGE 2  
 INT028P1  
 RUN DATE: 2/08/97  
 RUN TIME: 8:04:18

KEY NUMBER	PART NUMBER	DESCRIPTION	QUANTITY
49	120918	CUSHION FOOT COVER	2
50	NSP	FRAME	1
51	123132	FRONT SAFETY COVER	1
52	122212	REAR SAFETY CVR W/DECAL	1
.	.	123151 REAR SAFETY COVER	1
.	.	120817 WIRE DIAGRAM DECAL	1
53	122188	WALKING BELT W/RI	1
54	120959	RIGHT FOOT RAIL	1
55	102955	OPTIC SWITCH	2
56	012152	SMALL NUT	2
57	116892	INCLINE BRACKET	1
58	119375	INCLINE MOTOR BOLT	1
59	114270	INCLINE MOTOR SPACER	2
60	115523	INCLINE MOTOR	1
61	109370	INCLINE OPTIC DISK	1
62	102959	SMALL BOLT	2
63	013028	ENDCAP/CUSHION KNOB SCREW	6
64	123183	RIGHT REAR ENDCAP	1
65	102633	OPTIC SWITCH WIRE HARNESS	2
66	120482	CUSHION KNOB	1
67	014157	SWITCH STAR WASHER	1
68	120483	CUSHION FOOT INSERT	2
69	122812	MOTOR TENSION WASHER	1
70	105444	REAR ROLLER ADJ. BOLT	2
71	115046	CUSHION FOOT	2
72	110926	CUSHION FOOT BOLT	4
73	123355	3/16" ALLEN WRENCH	1
74	016028	WRENCH CLIP	1
75	122190	REAR ROLLER W/RI	1
.	.	113525 REAR ROLLER	1
.	.	122206 REPLACEMENT INSTR	1
76	116600	LEFT REAR ENDCAP	1
77	122228	FOOT RAIL TRACK ASSEMBLY	2
.	.	120957 DECK RAIL BKT	1
.	.	127860 NAIL	6
.	.	122227 REPLACEMENT INSTR.	1
78	100691	PLATFORM SCREW	8
79	120877	DECK BRACKET	2
80	122226	LEFT FOOT RAIL ASSEMBLY	1
.	.	120958 DECK RAIL GUARD	1
.	.	119128 PULLEY COVER	1
.	.	013516 SCREW	4
81	120630	ELECTRONIC MTG SCREW	5
82	124009	3/8" FLAT WASHER	5
83	126481	RED HEADBAND	1
84	128068	ROD ENDCAP	1
85	045017	7/32" ALLEN WRENCH	1
86	120298	LEFT UPRIGHT	1
87	120867	MOTOR TENSION NUT	1
88	122644	MOTOR MOUNT BRACKET	1
89	113278	PULLEY/FLYWHEEL/FAN	1
90	118017	MOTOR BELT	1
91	123385	MOTOR BOLT	2
92	120740	MOTOR W/RI	1

MODEL NUMBER: 29728  
 VERSION: 01  
 PRODUCT NAME: LIFESTYLER EXPANSE 2000  
 PRODUCT DESC:

MODEL/PART BOOK LISTING

PAGE 2  
 INT023P1  
 RUN DATE: 2/08/97  
 RUN TIME: 8:04:18

KEY NUMBER	PART NUMBER	DESCRIPTION	QUANTITY
49	120918	CUSHION FOOT COVER	2
50	NSP	FRAME	1
51	123132	FRONT SAFETY COVER	1
52	122212	REAR SAFETY CVR W/DECAL	1
.	.	123151 REAR SAFETY COVER	1
.	.	120817 WIRE DIAGRAM DECAL	1
53	122188	WALKING BELT W/RI	1
54	120959	RIGHT FOOT RAIL	1
55	102955	OPTIC SWITCH	2
56	012152	SMALL NUT	2
57	116892	INCLINE BRACKET	1
58	119375	INCLINE MOTOR BOLT	1
59	114270	INCLINE MOTOR SPACER	2
60	115523	INCLINE MOTOR	1
61	109370	INCLINE OPTIC DISK	1
62	102959	SMALL BOLT	2
63	013028	ENDCAP/CUSHION KNOB SCREW	6
64	123183	RIGHT REAR ENDCAP	1
65	102633	OPTIC SWITCH WIRE HARNESS	2
66	120482	CUSHION KNOB	1
67	014157	SWITCH STAR WASHER	1
68	120483	CUSHION FOOT INSERT	2
69	122812	MOTOR TENSION WASHER	1
70	105444	REAR ROLLER ADJ. BOLT	2
71	115046	CUSHION FOOT	2
72	110926	CUSHION FOOT BOLT	4
73	123355	3/16" ALLEN WRENCH	1
74	016028	WRENCH CLIP	1
75	122190	REAR ROLLER W/RI	1
.	.	113525 REAR ROLLER	1
.	.	122206 REPLACEMENT INSTR	1
76	116600	LEFT REAR ENDCAP	1
77	122228	FOOT RAIL TRACK ASSEMBLY	2
.	.	120957 DECK RAIL BKT	1
.	.	127860 NAIL	6
.	.	122227 REPLACEMENT INSTR.	1
78	100691	PLATFORM SCREW	8
79	120877	DECK BRACKET	2
80	122226	LEFT FOOT RAIL ASSEMBLY	1
.	.	120958 DECK RAIL GUARD	1
.	.	119128 PULLEY COVER	1
.	.	013516 SCREW	4
81	120630	ELECTRONIC MTG SCREW	5
82	124009	3/8" FLAT WASHER	5
83	126481	RED HEADBAND	1
84	128068	ROD ENDCAP	1
85	045017	7/32" ALLEN WRENCH	1
86	120298	LEFT UPRIGHT	1
87	120867	MOTOR TENSION NUT	1
88	122644	MOTOR MOUNT BRACKET	1
89	113278	PULLEY/FLYWHEEL/FAN	1
90	118017	MOTOR BELT	1
91	123385	MOTOR BOLT	2
92	120740	MOTOR W/RI	1

MODEL NUMBER: 29728  
 VERSION: 01  
 PRODUCT NAME: LIFESTYLER EXPANSE 2000  
 PRODUCT DESC:

MODEL/PART BOOK LISTING

PAGE 3  
 INI1023P1  
 RUN DATE: 2/08/97  
 RUN TIME: 8:04:18

KEY NUMBER	PART NUMBER	DESCRIPTION	QUANTITY
.	.	124184 MOTOR	1
.	.	120739 REPLACEMENT INSTR.	1
92A	120741	MOTOR/PULY/FLWH/FAN	1
93	105477	MOTOR NUT	2
94	119070	SPEED DISK	1
95	120653	OPTIC SWITCH BRACKET	1
96	122125	OPTIC SWITCH BRACKET NUT	1
97	107503	MOTOR SWIVEL BOLT	1
98	016029	4" CABLE TIE	2
99	016057	8" CABLE TIE	2
100	122331	ROD SLEEVE	1
101	116927	TIE BLOCK	1
102	122332	UPRIGHT SPACER	2
103	126558	BLUE HEADBAND	1
104	013088	PLATFORM BRACKET SCREW	8
105	104188	COVER WASHER	2
106	014117	STAR WASHER	2
107	014088	MOTOR PIVOT WASHER	1
.	.	NON-ILLUSTRATED PARTS	0
#	NLA	LEFT FRAME RAIL DECAL	1
#	120982	RIGHT FRAME RAIL DECAL	1
#	120983	SOFT STRIDE DECAL	1
#	107771	8" WHITE WIRE, MALE/FEMALE	1
#	101897	14" WHITE WIRE, 2 FEMALE	1
#	109407	4" BLACK WIRE, 2 FEMALE	1
#	101951	8" BLACK WIRE, 2 FEMALE	1
#	102634	8" GREEN GROUND WIRE	1
#	118201	8" RED WIRE, MALE/FEMALE	1
#	112083	8" BLUE WIRE, 2 FEMALE	1
#	114011	4" BLACK WIRE, M/F	1
#	120817	WIRE DIAGRAM DECAL	1
#	115872	STRAIN RELIEF	1
#	122681	OWNER'S MANUAL	1
.	122682	LITERATURE PACKET	1
.	.	122681 OWNER'S MANUAL	1
.	.	122985 RED/BLK SWEATBAND	1
.	.	126558 BLUE/BLK SWEATBAND	1
.	.	126482 PULSE HEADBAND	1
.	.	120984 HARDWARE KIT	1
.	.	016028 WRENCH CLAMP	1
.	.	123355 ALLEN WRENCH	1
.	.	045017 ALLEN WRENCH	1
.	.	013430 SCREW 3/8"X4"	2
.	.	013365 SCREW 3/8"X1.5"	2
.	.	014132 WASHER 3/8"	2