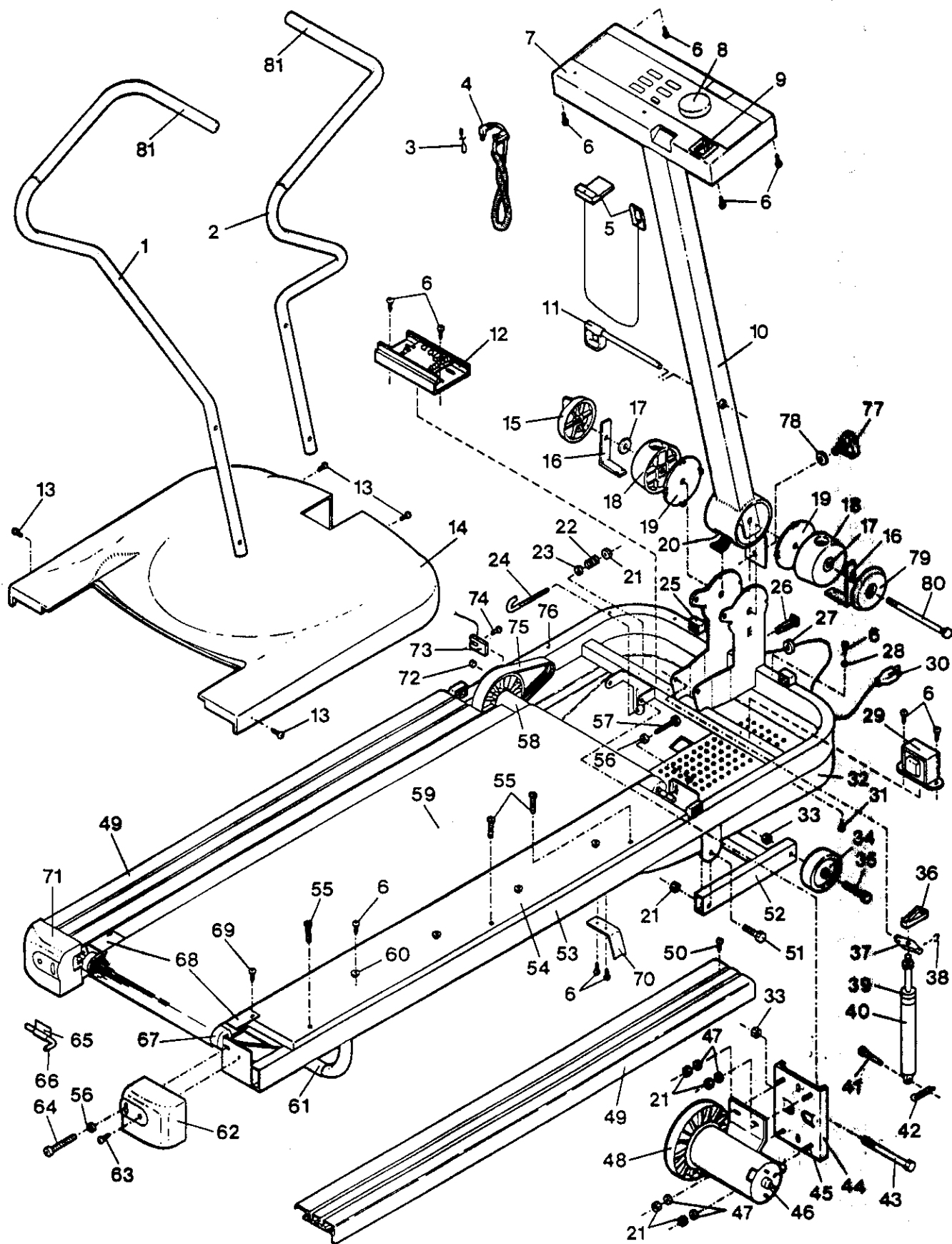


EXPLODED DRAWING—Model No. 831.297300

Rev. 9/92



MODEL NUMBER: 29730
 VERSION: 00
 PRODUCT NAME:
 PRODUCT DESC:

MODEL/PART BOOK LISTING

RUN DATE: 4/03/97
 RUN TIME: 11:09:37

KEY NUMBER	PART NUMBER	DESCRIPTION	QUANTITY
1	110824	LEFT SIDE RAIL W/FOAM *	1
.	.	111826 LEFT SIDE RAIL	1
.	.	112023 FOAM GRIP	1
.	.	110823 SIDE RAIL HOUSING	1
2	110825	RIGHT SIDE RAIL W/FOAM *	1
.	.	111828 RIGHT SIDE RAIL	1
.	.	112023 FOAM GRIP	1
.	.	110823 SIDE RAIL HOUSING	1
3	054013	CLOTHES CLIP	1
4	119946	PULSE/CLOTHES CLIP ASSY.	1
5	106337	SAFETY KEY/CLIP	1
6	108080	SCREW	20
7	110254	CONSOLE ASSEMBLY *	1
.	.	108590 CONSOLE	1
.	.	125151 FASTENER	1
.	.	088003 INCLINE LEVER	1
.	.	110255 CN-INSTALL INST.	1
8	110000	SPEED CONTROL KNOB	1
9	109791	INCLINE LEVER W/CN	1
.	.	088003 INCLINE LEVER	1
.	.	125151 FASTENER	1
.	.	109783 CN-INSTALL INST.	1
10	112717	UPRIGHT POST ASSEMBLY *	1
11	124008	HITCH PIN	1
12	129854	CONTROLLER W/RI	1
13	108404	HOOD SCREW	4
14	110810	MOTOR HOOD W/DECAL *	1
.	.	110083 MOTOR HOOD	1
.	.	110081 MOTOR HOOD DECAL	1
.	.	110082 WIRE DIAGRAM DECAL	1
15	109511	TENSION KNOB	1
16	110193	FRICTION BRACKET *	2
17	110147	FLAT WASHER	2
18	110823	SIDE RAIL BUSHING	2
.	.	112300 FRICTION CUP	1
.	.	112348 FRICTION PAD	1
.	.	112013 PLUG	1
19	112286	FRICTION PLATE	2
20	088005	INCLINE CABLE	1
21	012082	MOTOR NUT/INCLINE LEG NUT	7
22	104514	TENSION SPRING	1
23	014041	TENSION WASHER	1
24	103855	MOTOR TENSION BOLT	1
25	109095	HOOD ANCHOR	4
26	109382	CIRCUIT BREAKER	1
27	019084	GROMMET	1
28	014157	GROUND WASHER	1
29	031238	CHOKE	1
30	031229	POWER CORD	1
31	104623	SAFETY COVER PIN	6
32	123712	SAFETY COVER	1
33	012108	LOCK NUT	3
34	052014	FRONT WHEEL	2
35	103045	WHEEL BOLT	2

MODEL NUMBER: 29730
 VERSION: 00
 PRODUCT NAME:
 PRODUCT DESC:

MODEL/PART BOOK LISTING

INFO23P1
 RUN DATE: 4/03/97
 RUN TIME: 11:09:37

KEY NUMBER	PART NUMBER	DESCRIPTION	QUANTITY
36	088004	SHOCK RELEASE CLIP	1
37	008149	SHOCK BRACKET	1
38	054016	E-CLIP	1
39	059019	SHOCK CUSHION	1
40	109792	INCLINE SHOCK W/CN	1
.	.	112582 INCLINE SHOCK	1
.	.	109785 CN-INSTALL INST.	1
41	101639	SHOCK PIN	1
42	106334	COTTER PIN	1
43	101263	MOTOR PIVOT BOLT	1
44	110828	MOTOR MOUNT PLATE W/CN *	1
.	.	109242 MOTOR MOUNT PLATE	1
.	.	110826 CN-INSTALL INST.	1
45	013445	MOTOR MOUNT BOLT	4
46	110827	MOTOR ASSEMBLY	1
.	.	124183 MOTOR	1
.	.	110826 CN-INSTALL INST.	1
.	.	122470 CN-MOTOR CHANGE	1
.	.	116878 HARDWARE KIT	1
46A	110830	MOTOR/PULY/FLY/FAN ASSY.*	1
.	.	124183 MOTOR	1
.	.	108276 PULLEY/FLY/FAN ASY	1
.	.	110826 CN-INSTALL INST.	1
.	.	122470 CN-MOTOR CHANGE	1
47	101630	MOTOR MOUNT WASHER	4
48	108276	PULLEY/FLYWHEEL/FAN ASSY.	1
49	112554	DECK RAIL	2
50	101577	DECK RAIL SCREW	2
51	013293	INCLINE LEG BOLT	2
52	109941	INCLINE LEG	1
53	NSP	FRAME	1
54	110822	WALKING PLATFORM W/CN *	1
55	100691	PLATFORM SCREW	1
56	014127	ROLLER ADJUSTMENT WASHER	6
57	013275	FRONT ROLLER ADJ. BOLT	3
58	117273	FRONT ROLLER/PULLEY ASSY.	1
59	126430	WALKING BELT ASSEMBLY	1
60	109278	DECK RAIL FASTENER	1
61	110407	REAR LEG PAD	8
62	110003	RIGHT ROLLER GUARD	1
63	013300	ENDCAP SCREW	1
64	105444	REAR ROLLER BOLT	2
65	016028	TOOL CLAMP	2
66	045010	ALLEN WRENCH	1
67	110245	REAR ROLLER W/CN *	1
.	.	070084 REAR ROLLER	1
.	.	103847 CN-INSTALL INST.	1
68	010206	ROLLER GUARD	1
69	013162	GUARD SCREW	2
70	109265	BELT GUIDE	2
71	110002	LEFT ROLLER GUARD	2
72	100498	MAGNET	1
73	115569	REED SWITCH/SENSOR WIRE	1
74	107428	SWITCH SCREW	1

MODEL NUMBER: 29730
 VERSION: 00
 PRODUCT NAME:
 PRODUCT DESC:

MODEL/PART BOOK LISTING

RUN DATE: 4/03/97

RUN TIME: 11:09:37

KEY NUMBER	PART NUMBER	DESCRIPTION	QUANTITY
75	106939	BELT	1
76	016055	WIRE CLIP	3
77	017088	LOCK KNOB	1
78	014156	LOCK KNOB WASHER	1
79	109517	FRICTION COVER	1
80	109515	PIVOT BOLT	1
81	112023	SIDE RAIL FOAM GRIP	2
.	.	NON-ILLUSTRATED PARTS:	0
#	129418	POTENTIOMETER	1
#	NLA	BATTERY (1.5 V)	2
#	110402	BATTERY COVER (SNAP-ON)	1
#	101049	HOOD ANCHOR MTG. SCREW	4
#	110196	FRAME DECAL *	2
#	111114	RETAINER SPRING	1
#	110081	MOTOR HOOD DECAL *	1
#	110082	WIRE DIAGRAM DECAL	1
#	110084	OWNER'S MANUAL *	1
#	110085	LITERATURE PACKET	1
.	.	110084 OWNER'S MANUAL	1
.	.	112589 PULSE EARCLIP	1
.	.	017088 LOCK KNOB	1
.	.	014156 LOCK KNOB WASHER	1
.	.	070307 SILICONE	1
.	.	016028 TOOL CLAMP	1
.	.	045010 ALLEN WRENCH	1
.	.	*--THESE ARE ESTIMATED	0
.	.	COSTS!!!!!!	0