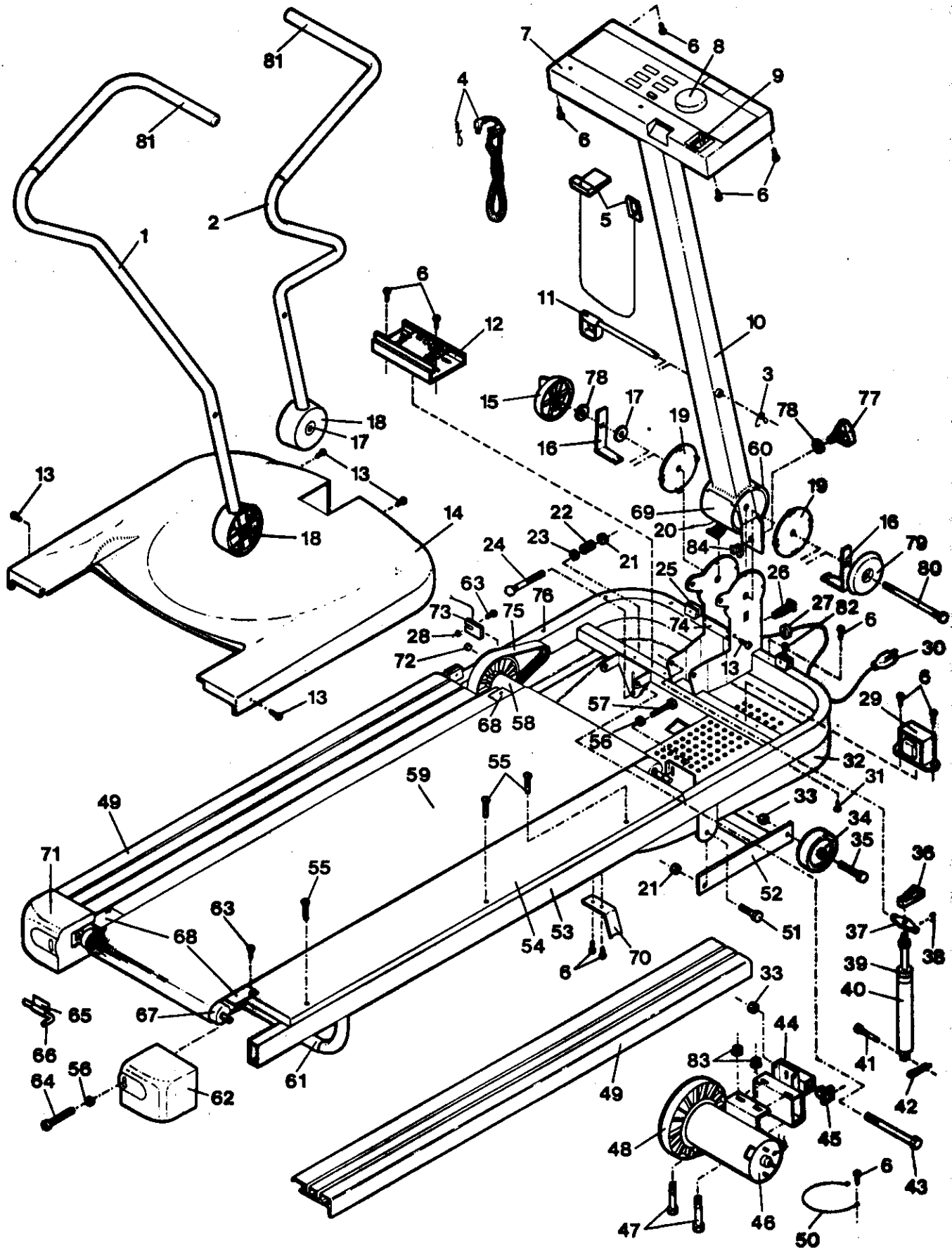


# EXPLODED DRAWING—Model No. 831.297304

Rev. 1/94



MODEL NUMBER: 29730  
 VERSION: 04  
 PRODUCT NAME: CROSSWALK  
 PRODUCT DESC:

MODEL/PART BOOK LISTING

PAGE 1

IN1023P1

RUN DATE: 3/22/97

RUN TIME: 9:47:38

KEY NUMBER	PART NUMBER	DESCRIPTION	QUANTITY
1	110824	LT UPPER BODY ARM ASSY.	1
.	.	111826 LT UPPER BODY ARM	1
.	.	112023 FOAM GRIP	1
.	.	110823 ARM HOUSING ASSY.	1
2	110825	RT UPPER BODY ARM ASSY.	1
.	.	111828 RT UPPER BODY ARM	1
.	.	112023 FOAM GRIP	1
.	.	110823 ARM HOUSING ASSY.	1
3	111114	SPRING CLIP	1
4	119946	PULSE/CLOTHES CLIP ASSY.	1
5	106337	SAFETY KEY/CLIP	1
6	108080	SCREW	13
7	110254	CONSOLE ASSEMBLY	1
.	.	108590 CONSOLE	1
.	.	125151 FASTENER	1
.	.	088003 INCL LEVER/BEZEL	1
.	.	110255 REPLACEMENT INSTR.	1
8	110000	SPEED CONTROL KNOB	1
9	109791	INCLINE LEVER W/RI	1
.	.	088003 INCLINE LEVER	1
.	.	125151 FASTENER	1
.	.	109783 REPLACEMENT INSTR.	1
10	112969	UPRIGHT	1
11	124008	LOCK PIN	1
12	129854	CONTROLLER W/RI	1
13	108404	MOTOR HOOD SCREW	6
14	116808	MOTOR HOOD W/DECAL	1
.	.	110083 MOTOR HOOD	1
.	.	110081 MOTOR HOOD DECAL	1
15	109511	RESISTANCE CONTROL KNOB	1
16	110193	FRICTION BRACKET	2
17	110147	FLAT WASHER	2
18	110823	UPR BODY ARM HOUSING ASSY	2
.	.	112300 FRICTION CUP	1
.	.	112348 FRICTION PAD	1
.	.	112013 PLUG	1
19	112286	FRICTION PLATE	2
20	112012	INCLINE CABLE	1
21	012082	NUT	3
22	104514	TENSION SPRING	1
23	014041	TENSION WASHER	2
24	103855	MOTOR TENSION BOLT	1
25	109095	MOTOR HOOD BRACKET	3
26	109382	CIRCUIT BREAKER	1
27	019084	GROMMET	1
28	014157	REED SWITCH WASHER	1
29	031238	CHOKE	1
30	031229	POWER CORD	1
31	013282	BELLY PAN SCREW	8
32	123712	BELLY PAN	1
33	012108	LOCK NUT	3
34	052014	FRONT WHEEL	2
35	013564	WHEEL BOLT	2
36	088004	SHOCK RELEASE	1

MODEL NUMBER: 29730  
 VERSION: 04  
 PRODUCT NAME: CROSSWALK  
 PRODUCT DESC:

MODEL/PART BOOK LISTING

PAGE 2  
 IN1023P1  
 RUN DATE: 3/22/97  
 RUN TIME: 9:47:38

KEY NUMBER	PART NUMBER	DESCRIPTION	QUANTITY
37	115672	SHOCK BRACKET	1
38	054016	E-CLIP	1
39	059019	SHOCK CUSHION	1
40	109792	INCLINE SHOCK W/RI	1
		112582 INCLINE SHOCK	1
		109785 REPLACEMENT INSTR.	1
41	106616	SHOCK PIN	1
42	106334	COTTER PIN	1
43	101263	MOTOR PIVOT BOLT	1
44	116812	MOTOR MOUNT BRACKET W/RI	1
		117161 MOTOR MOUNT PLATE	1
		122470 REPLACEMENT INSTR.	1
45	115706	MOTOR MOUNT ISOLATOR	4
46	116810	MOTOR W/RI	1
		124183 MOTOR	1
		122470 CN-MOTOR CHANGE	1
46A	116811	MOTOR/PULY/FLWHL/FAN ASSY	1
		124183 MOTOR	1
		122470 CN-MOTOR CHANGE	1
		108276 PULY/FLWH/FAN	1
47	123385	MOTOR BOLT	2
48	108276	PULLEY/FLYWHEEL/FAN ASSY.	1
49	116506	FOOT RAIL	2
50	031182	MOTOR GROUND WIRE	1
51	013303	INCLINE LEG BOLT	2
52	113412	INCLINE LEG	1
53	NSP	FRAME	1
54	110822	WALKING PLATFORM W/RI	1
		109964 WALKING PLATFORM	1
		110583 REPLACEMENT INSTR.	1
55	100691	PLATFORM SCREW	6
56	014127	ROLLER ADJUSTMENT WASHER	3
57	112609	FRONT ROLLER ADJ. BOLT	1
58	117273	FRONT ROLLER/PULLEY ASSY.	1
59	126255	WALKING BELT ASSEMBLY	1
60	112958	LONG UPRIGHT COVER	1
61	110407	REAR LEG PAD	1
62	112293	RIGHT ROLLER BRACKET	1
63	013300	SMALL SCREW	4
64	105444	REAR ROLLER ADJ. BOLT	2
65	016028	WRENCH CLIP	1
66	045010	ALLEN WRENCH	1
67	110245	REAR ROLLER W/RI	1
		070084 REAR ROLLER	1
		103847 REPLACEMENT INSTR.	1
68	010206	ROLLER GUARD	3
69	112965	SHORT UPRIGHT COVER	1
70	109265	BELT GUIDE	2
71	112292	LEFT ROLLER BRACKET	1
72	100498	MAGNET	1
73	115569	REED SWITCH/SENSOR WIRE	1
74	121488	MECHANISM COVER	1
75	106939	BELT	1
76	016055	WIRE CLIP	6

MODEL NUMBER: 29730  
 VERSION: 04  
 PRODUCT NAME: CROSSWALK  
 PRODUCT DESC:

MODEL/PART BOOK LISTING

PAGE 3  
 01023P1  
 RUN DATE: 8/22/97  
 RUN TIME: 12:47:38

KEY NUMBER	PART NUMBER	DESCRIPTION	QUANTITY
77	017088	LOCK KNOB	1
78	014156	CONTROL/LOCK KNOB WASHER	2
79	109517	FRICTION COVER	1
80	109515	PIVOT BOLT	1
81	112023	UPPER BODY ARM FOAM GRIP	2
82	101049	HOOD BRACKET SCREW	3
83	105477	MOTOR NUT	2
84	111869	CAGE NUT	1
.	.	NON-ILLUSTRATED PARTS:	0
#	129418	POTENTIOMETER	1
#	NLA	BATTERY (1.5 VOLT)	2
#	110402	BATTERY COVER (SNAP-ON)	1
#	110196	FRAME DECAL	2
#	110081	MOTOR HOOD DECAL	1
#	120991	WIRE DIAGRAM DECAL	1
#	115697	OWNER'S MANUAL	1
.	115698	LITERATURE PACKET	1
.	.	115697 OWNER'S MANUAL	1
.	.	112589 PULSE/CLOTHES CLIP	1
.	.	017088 LOCK KNOB	1
.	.	070307 SILICONE	1
.	.	112817 HARDWARE KIT	1
.	.	016028 WRENCH CLIP	1
.	.	045010 ALLEN WRENCH	1
.	.	014156 LOCK KNOB WASHER	1