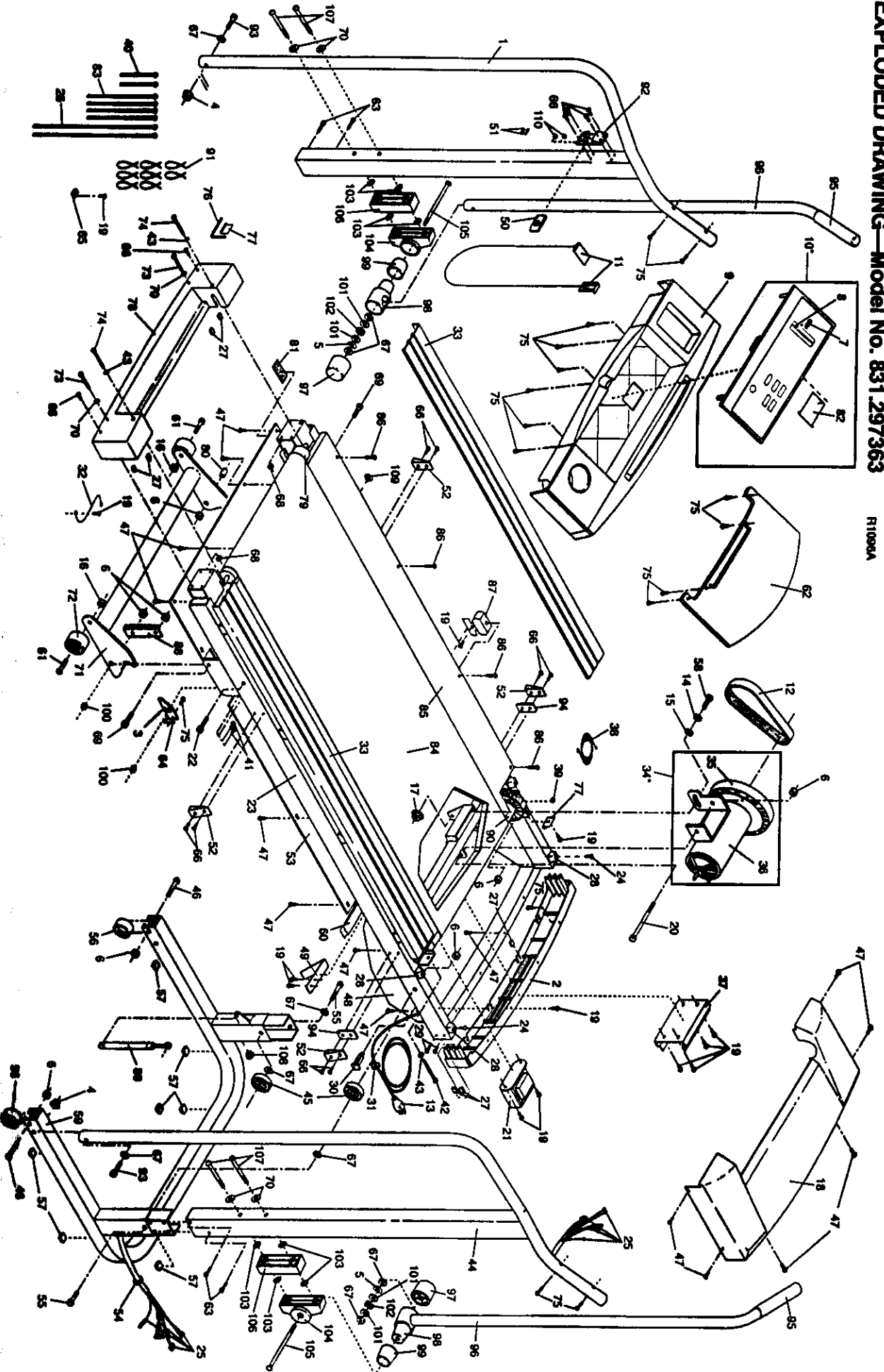


EXPLODED DRAWING—Model No. 831.297363

R11008A



MODEL NUMBER: 29736
 VERSION: 03
 PRODUCT NAME: CROSSWALK SI
 PRODUCT DESC:

MODEL/PART BOOK LISTING

PAGE 1
 INI023P1
 RUN DATE: 3/22/97
 RUN TIME: 9:50:25

KEY NUMBER	PART NUMBER	DESCRIPTION	QUANTITY
		PF CROSSWALK SPACE SAVER	0
		8/96 LOGAN	0
1	132572	LEFT UPRIGHT	1
2	132766	FRONT FRAME COVER	1
3	131240	INCLINE LATCH	1
4	105477	HANDRAIL NUT	2
5	128005	SPRING WASHER	2
6	119425	3/8" LOCK NUT	8
7	131161	SPEED KNOB	1
8	129640	SPEED POTENTIOMETER	1
9	131606	CONSOLE BASE	1
10	133961	CONSOLE	1
11	119038	KEY/CLIP	1
12	135866	MOTOR BELT	1
13	124669	POWER CORD	1
14	122812	MOTOR TENSION WASHER	1
15	014117	MOTOR TENSION STAR WASHER	1
16	012056	INCLINE WHEEL NUT	2
17	120867	MOTOR TENSION NUT	1
18	133963	MOTOR HOOD	1
19	120630	SMALL SCREW	18
20	107503	MOTOR PIVOT BOLT	1
21	130993	CHOKE	1
22	013578	INCLINE BOLT	2
23	NSP	FRAME	1
24	013300	ANCHOR SCREW	12
25	133964	WIRE HARNESS	1
26	133860	15" WIRE TIE	2
27	133333	COVER CLIP	8
28	133106	HOOD ANCHOR	4
29	013322	FRAME COVER SCREW	4
30	109382	CIRCUIT BREAKER	1
31	124695	GROMMET	1
32	130426	GROUND WIRE	1
33		FOOT RAIL W/FASTENERS	2
		WHAT FOOT RAIL IS NEEDED?	0
	135527	LT FOOT RAIL W/FASTENERS	0
	135528	RT FOOT RAIL W/FASTENERS	1
34	133966	MTR/PULY/FLWH/FAN	1
35	126747	PULLEY/FLYWHEEL/FAN	1
36	133413	MOTOR	1
37	133553	CONTROLLER	1
38	118196	REED SWITCH EXT WIRE	1
39	100498	MAGNET	1
40	016029	4" CABLE TIE	2
41	108080	RATCHET SCREW	2
42	112609	FRONT ROLLER ADJ BOLT	1
43	014127	ADJUSTMENT WASHER	3
44	132576	RIGHT UPRIGHT	1
45	129542	UPRIGHT SPACER	2
46	130868	BASE WHEEL BOLT	2
47	013162	BELLY PAN SCREW	20
48	131639	BELLY PAN	1
49	127098	BELT GUIDE	2

MODEL NUMBER: 29736
VERSION: 03
PRODUCT NAME: CROSSWALK SI
PRODUCT DESC:

MODEL/PART BOOK LISTING

PAGE 2

INI023P1

RUN DATE: 3/22/97

RUN TIME: 9:50:25

KEY NUMBER	PART NUMBER	DESCRIPTION	QUANTITY
50	131738	STORAGE LATCH	1
51	136377	STORAGE LATCH SPRING	2
52	130251	FRAME GUIDE	4
53	133967	REAR FRAME COVER	1
54	129004	WIRE HARNESS GROMMET	1
55	013430	UPRIGHT PIVOT BOLT	2
56	129642	BASE WHEEL	2
57	129740	BASE PAD	7
58	013547	MOTOR TENSION BOLT	3
59	133606	BASE	1
60	130822	SAFETY COVER CONNECTOR	1
61	117806	INCLINE LEG WHEEL BOLT	2
62	135025	BOOK RACK	1
63	013484	UPRIGHT SCREW	4
64	124565	RATCHET SPRING	1
65	116927	WIRE TIE HOLDER	1
66	013576	LATCH/FRAME GUIDE SCREW	16
67	014132	3/8" WASHER	10
68	121576	ROLLER ENDCAP NUT	2
69	.	INCLINE LEG BOLT,SEE# 58	0
70	014063	ENDCAP/BRACKET WASHER	6
71	130501	INCLINE LEG	1
72	052012	INCLINE LEG WHEEL	2
73	013523	REAR ROLLER ENDCAP SCREW	2
74	013342	ADJUSTMENT BOLT	2
75	126996	SCREW	12
76	128457	ALLEN WRENCH	1
77	016028	ADHESIVE CLIP	2
78	132880	REAR ROLLER ENDCAP	1
79	133845	REAR ROLLER	1
80	130518	LONG INCLINE LEG SPACER	2
81	131605	LATCH DECAL	1
82	129639	BATTERY COVER	1
83	016057	8" CABLE TIE	4
84	131741	WALKING BELT W/FASTENERS	1
85	131749	WALKING BOARD W/FASTENERS	1
86	128272	PLATFORM SCREW	8
87	131751	ISOLATOR	1
88	131689	INCLINE LEG PLATE	1
89	129814	SHOCK	1
90	131704	FRONT ROLLER/PULLEY	1
91	116926	RELEASEABLE CABLE TIE	8
92	131753	STORAGE LATCH BRACKET	1
93	124614	HANDRAIL BOLT	2
94	132031	FRAME GUIDE SPACER	2
95	105500	FOAM GRIP	2
96	128598	UPPER BODY ARM W/FOAM	2
97	126843	RESISTANCE KNOB	2
98	126828	RESISTANCE CONE	2
99	129570	RESISTANCE SLEEVE	2
100	128271	SHORT INCLINE LEG SPACER	1
101	102973	THRUST WASHER	4
102	106896	THRUST BEARING	2
103	014149	STAR WASHER	8

MODEL NUMBER: 29736
 VERSION: 03
 PRODUCT NAME: CROSSWALK SI
 PRODUCT DESC:

MODEL/PART BOOK LISTING

PAGE 3
 INI023P1
 RUN DATE: 3/22/97
 RUN TIME: 9:50:25

KEY NUMBER	PART NUMBER	DESCRIPTION	QUANTITY
104	126773	RESISTANCE BRACKET	2
105	126644	RESISTANCE BOLT	2
106	132583	RESISTANCE BRACKET SPACER	2
107	132637	RESISTANCE BRACKET BOLT	2
108	126960	BASE PLUG	1
109	127819	FRAME PLUG	1
110	131562	LATCH PAD	2
.	.	NON-ILLUSTRATED PARTS	0
#	.	14" BLUE WIRE, NOT USED	0
#	.	14" WHITE WIRE, NOT USED	0
#	.	4" WHITE WIRE, NOT USED	0
#	131090	REED SWITCH WIRE CLAMP	1
#	107771	8" WHITE WIRE, M/F	1
#	131551	ELECTRICAL WARNING DECAL	1
#	133062	HOOD DECAL	1
#	132639	TECH SHEET	1
#	123945	TECH SHEET ENVELOPE	1
#	127860	FASTENER	12
#	132579	USER'S MANUAL	1
#	132578	LITERATURE PACKET	1
.	.	132579 USER'S MANUAL	1
.	.	119038 KEY/CLIP	1
.	.	129740 BASE PAD	7
.	.	132583 SPACER	2
.	.	133073 HARDWARE KIT	1
.	.	128457 ALLEN WRENCH	1
.	.	016028 WRENCH CLIP	1
.	.	131826 UPRIGHT SCREW	4
.	.	105477 5/16" NUT	2
.	.	124614 3.5" SCREW	2
.	.	014132 3/8" WASHER	2
.	.	126996 1/2" SCREW	8
.	.	132637 5" SCREW	4
.	.	014149 STAR WASHER	8
.	.	014063 FLAT WASHER	4