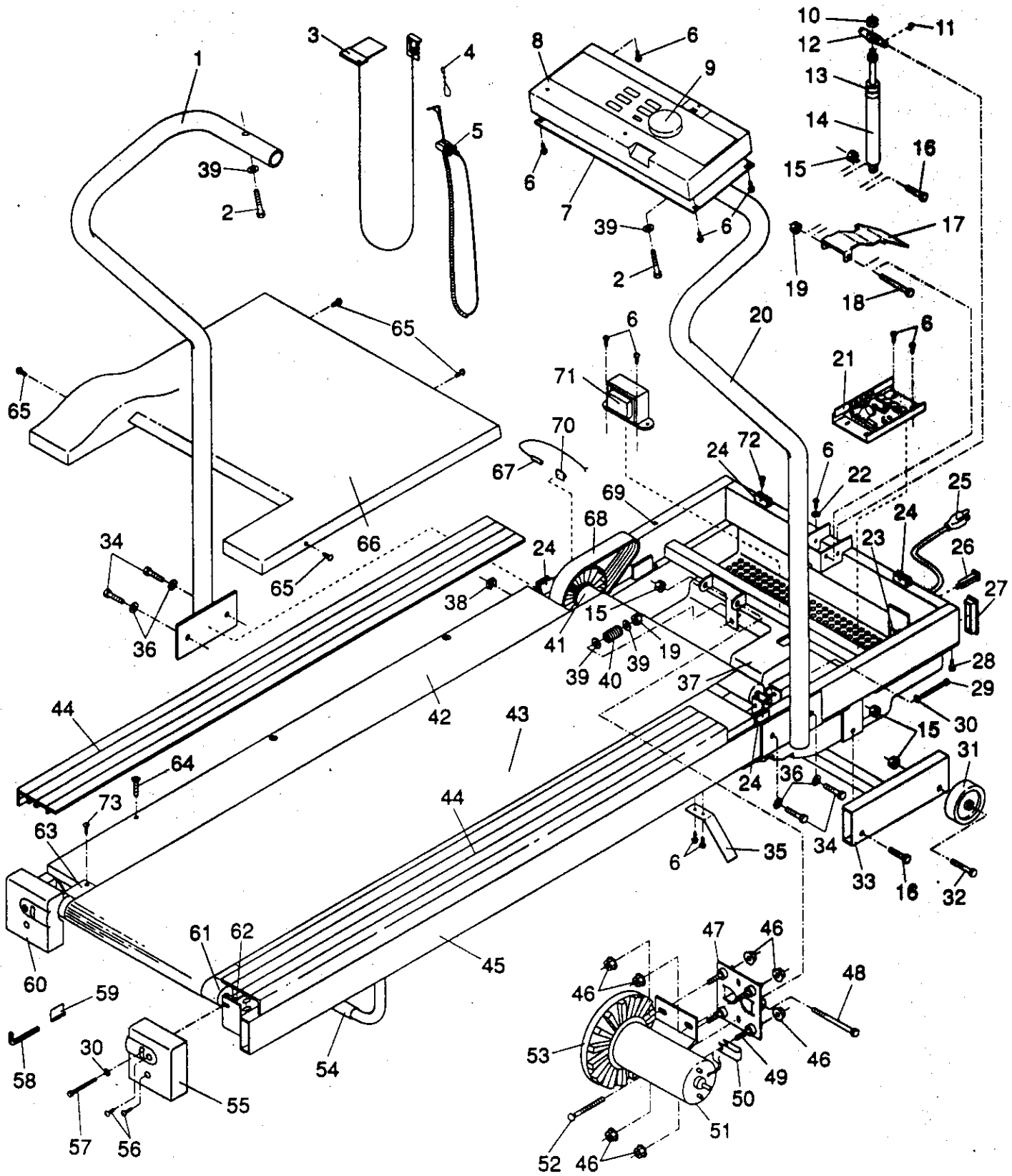


# EXPLODED DRAWING—Model No. 831.297400

Rev. 1/93



MODEL NUMBER: 29740  
 VERSION: 00  
 PRODUCT NAME: 29740  
 PRODUCT DESC:

MODEL/PART BOOK LISTING

RUN DATE: 2/87/97

RUN TIME: 20:02:09

KEY NUMBER	PART NUMBER	DESCRIPTION	QUANTITY
1	112362	LEFT SIDERAIL *	1
2	013293	LONG SIDERAIL BOLT, 1.75"	2
3	106337	SAFETY KEY/CLIP	1
4	054013	CLOTHES CLIP	1
5	119946	PULSE/CLOTHES CLIP ASSY.	1
6	108080	SMALL SCREW	13
7	111167	CONSOLE PLATE	1
8	112503	CONSOLE ASSEMBLY *	1
.	.	111095 CONSOLE	1
.	.	040185 CONSOLE PLUG	1
.	.	112504 CN-INSTALL INSTR.	1
9	110000	SPEED CONTROL KNOB	1
10	112404	INCLINE SHOCK NUT	1
11	054016	E-CLIP	1
12	008149	SHOCK BRACKET	1
13	059019	RUBBER BUMPER	1
14	112507	INCLINE SHOCK W/CN	1
.	.	112434 INCLINE SHOCK	1
.	.	112508 CN-INSTALL INST.	1
15	012108	LOCK NUT	6
16	013564	INCLINE SHOCK/LEG BOLT	3
17	112386	INCLINE PEDAL *	1
18	013426	INCLINE PEDAL BOLT	1
19	012082	INCLINE PEDAL NUT	2
20	112365	RIGHT SIDERAIL *	1
21	129854	CONTROLLER W/CN	1
22	014157	GROUND WASHER	1
23	019084	GROMMET	1
24	109095	HOOD ANCHOR	4
25	031229	POWER CORD	1
26	109382	CIRCUIT BREAKER	1
27	109269	FRAME ENDCAP	2
28	104623	SAFETY COVER SCREW	10
29	112609	FRONT ROLLER ADJ. BOLT *	1
30	014127	ROLLER ADJ. WASHER	3
31	052014	FRONT WHEEL	2
32	105329	WHEEL BOLT	2
33	110752	INCLINE LEG	1
34	116068	SIDERAIL BOLT	4
35	109265	BELT GUIDE	2
36	110468	SIDERAIL WASHER	4
37	108472	SAFETY COVER	1
38	111430	CAGE NUT	4
39	014041	FLAT WASHER	4
40	104514	TENSION SPRING	1
41	117273	FRONT ROLLER/SLV/PULY ASY	1
42	110822	WALKING PLATFORM W/CN	1
.	.	109964 WALKING PLATFORM	1
.	.	110583 CN-INSTALL INST.	1
43	126430	WALKING BELT	1
44	112501	FOOT RAIL *	2
45	NSP	FRAME	1
46	105477	MOTOR MOUNT NUT	8
47	110589	MOTOR MOUNT PLATE W/CN	1

MODEL NUMBER: 29740  
 VERSION: 00  
 PRODUCT NAME: 29740  
 PRODUCT DESC:

MODEL/PART BOOK LISTING

RUN DATE: 2/07/97  
 RUN TIME: 20:02:09

KEY NUMBER	PART NUMBER	DESCRIPTION	QUANTITY
.	.	109242 MOTOR MOUNT PLATE	1
.	.	110587 CN-INSTALL INST.	1
48	101263	MOTOR PIVOT BOLT	1
49	108473	MOTOR ISOLATOR	4
50	108474	GROUND STRAP	1
51	113800	MOTOR	1
51A	113801	MOTOR/PULY/FLY/FAN	1
52	013207	CARRIAGE BOLT	1
53	108276	PULLEY/FLYWHEEL/FAN ASSY.	1
54	110407	REAR LEG COVER	1
55	108470	RIGHT ENDCAP	1
56	013300	ENDCAP SCREW	4
57	105444	REAR ROLLER ADJ. BOLT	2
58	045010	ALLEN WRENCH	1
59	016028	TOOL CLAMP	1
60	108469	LEFT ENDCAP	1
61	109788	REAR ROLLER W/CN	1
.	.	105264 REAR ROLLER	1
.	.	103847 CN-INSTALL INST.	1
62	105000	REAR ROLLER SPACER	2
63	010206	ROLLER GUARD	2
64	100691	PLATFORM SCREW	6
65	108404	MOTOR HOOD SCREW	4
66	112502	MOTOR HOOD W/DECAL *	1
.	.	112403 MOTOR HOOD	1
.	.	112369 MOTOR HOOD DECAL	1
.	.	112370 WIRE DIAGRAM DECAL	1
67	115572	REED SWITCH/SENSOR WIRE	1
68	106939	BELT	1
69	016055	WIRE CLIP	3
70	111680	REED SWITCH CLIP	1
71	031238	CHOKE	1
72	101049	HOOD ANCHOR SCREW	4
73	013162	ROLLER GUARD SCREW	2
.	.	NON-ILLUSTRATED PARTS:	0
#	112597	MOTOR HOOD PADDING *	2
#	041043	MOTOR HOOD PADDING	2
#	NLA	BATTERY (1.5 VOLT)	2
#	110402	BATTERY COVER (SNAP-ON)	1
#	112369	MOTOR HOOD DECAL	1
#	112370	WIRE DIAGRAM DECAL *	1
#	112371	OWNER'S MANUAL	1
#	112372	LITERATURE PACKET	1
.	.	112371 OWNER'S MANUAL	1
.	.	112589 PULSE EARCLIP	1
.	.	070307 SILICONE	1
.	.	111179 HARDWARE KIT	1
.	.	016028 TOOL CLAMP	1
.	.	045010 ALLEN WRENCH	1
.	.	104063 1/2" SDRAIL BOLT	2
.	.	110468 SIDERAIL WASHER	2