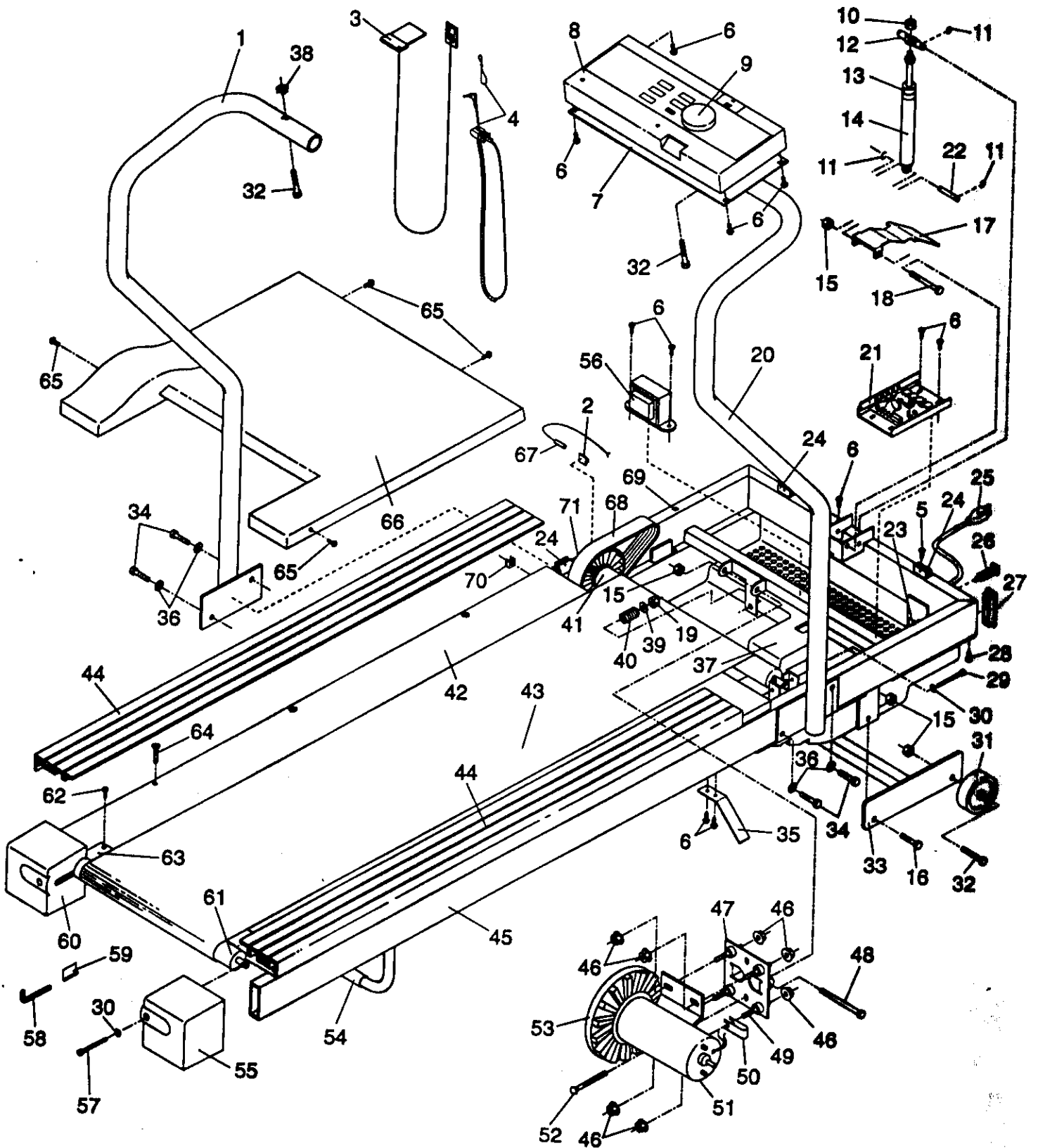


EXPLODED DRAWING—Model No. 831.297402

Rev. 7/93



MODEL NUMBER: 29740
VERSION: 02
PRODUCT NAME: 29740
PRODUCT DESC:

MODEL/PART BOOK LISTING

PAGE 71
INI023P1
RUN DATE: 2/07/97
RUN TIME: 20:02:19

KEY NUMBER	PART NUMBER	DESCRIPTION	QUANTITY
1	113218	LEFT SIDERAIL	1
2	111680	REED SWITCH MTG. BRACKET	1
3	106337	SAFETY KEY/CLIP	1
4	119946	PULSE/CLOTHES CLIP ASSY.	1
5	013282	HOOD ANCHOR SCREW	3
6	108080	SMALL SCREW	13
7	113284	CONSOLE PLATE	1
8	112503	CONSOLE ASSEMBLY	1
9	110000	SPEED CONTROL KNOB	1
10	112404	INCLINE SHOCK NUT	1
11	054016	E-CLIP	3
12	008149	SHOCK BRACKET	1
13	059019	RUBBER BUMPER	1
14	112507	SHOCK W/CN	1
.	.	112434 SHOCK	1
.	.	112508 CONSUMER NOTICE	1
15	012108	LOCK NUT	6
16	104581	LEG BOLT	2
17	112386	INCLINE PEDAL	1
18	104049	INCLINE PEDAL BOLT	1
19	012082	TENSION NUT	1
20	113220	RIGHT SIDERAIL	1
21	129854	CONTROLLER W/CN	1
22	015047	SHOCK PIN	1
23	019084	GROMMET	1
24	113106	HOOD ANCHOR	3
25	031229	POWER CORD	1
26	109382	CIRCUIT BREAKER	1
27	114074	FRAME ENDCAP	2
28	104623	SAFETY COVER FASTENER	10
29	112609	FRONT ROLLER ADJ. BOLT	1
30	014127	ROLLER ADJUSTMENT WASHER	3
31	052014	FRONT WHEEL	2
32	013564	CONSOLE/WHEEL BOLT	4
33	112801	INCLINE LEG	1
34	116068	SIDERAIL BOLT	4
35	109265	BELT GUIDE	2
36	110468	SIDERAIL WASHER	4
37	115019	SAFETY COVER	1
38	111430	CAGE NUT	2
39	014041	FLAT WASHER	2
40	104514	TENSION SPRING	1
41	117273	FRONT ROLLER/SLV/PULY	1
42	114206	WALKING PLATFORM W/CN	1
.	.	113558 WALKING PLATFORM	1
.	.	110583 CONSUMER NOTICE	1
43	126255	WALKING BELT ASSEMBLY	1
44	114210	DECK RAIL	2
45	NSP	FRAME	1
46	105477	MOTOR MOUNT NUT	8
47	110589	MOTOR MOUNT PLATE W/CN	1
.	.	109242 MOTOR MOUNT PLATE	1
.	.	110587 CONSUMER NOTICE	1
48	101263	MOTOR PIVOT BOLT	1

MODEL NUMBER: 29740
 VERSION: 02
 PRODUCT NAME: 29740
 PRODUCT DESC:

MODEL/PART BOOK LISTING

RUN DATE: 2/07/97
 RUN TIME: 20:02:19

KEY NUMBER	PART NUMBER	DESCRIPTION	QUANTITY
49	108473	MOTOR ISOLATOR	4
50	108474	GROUND STRAP	1
51	113800	MOTOR ASSEMBLY	1
.	.	124183 MOTOR	1
.	.	122470 CN-MOTOR CHANGE	1
.	.	116878 HARDWARE KIT	1
.	.	110587 CONSUMER NOTICE	1
51A	113801	MOTOR/PULY/FLW/FAN/ASSY	1
.	.	124183 MOTOR	1
.	.	108276 PULY/FLWHEEL/FAN	1
.	.	110587 CONSUMER NOTICE	1
.	.	122470 CN-MOTOR CHANGE	1
.	.	116878 HARDWARE KIT	1
52	013207	CARRIAGE BOLT	1
53	108276	PULLEY/FLYWHEEL/FAN ASSY.	1
54	110407	REAR LEG COVER	1
55	113044	RIGHT ENDCAP	1
56	031238	CHOKE	1
57	105444	REAR ROLLER ADJ. BOLT	2
58	045010	ALLEN WRENCH	1
59	016028	WRENCH CLIP	1
60	113043	LEFT ENDCAP	1
61	110245	REAR ROLLER W/CN	1
.	.	070084 REAR ROLLER	1
.	.	103847 CONSUMER NOTICE	1
62	013300	GUARD SCREW	4
63	010206	ROLLER GUARD	4
64	100691	PLATFORM SCREW	6
65	108404	MOTOR HOOD SCREW	4
66	112502	MOTOR HOOD W/DECALS	1
.	.	112403 MOTOR HOOD	1
.	.	112369 MOTOR HOOD DECAL	1
.	.	112370 WIRE DIAGRAM DECAL	1
67	115572	REED SWITCH/SENSOR WIRE	1
68	106939	BELT	1
69	016055	WIRE CLIP	5
70	111869	SIDERAIL MTG CAGE NUT	4
71	105000	FRONT ROLLER SPACER	1
#	.	NON-ILLUSTRATED PARTS	0
#	100916	SILICONE	1
#	NLA	BATTERY (AA)	2
#	110402	BATTERY COVER (SNAP ON)	1
#	100498	MAGNET	1
#	111197	POWER WIRE HARNESS	1
#	111199	SHORT EXT WIRE	1
#	113141	FRAME DECAL	1
#	112369	MOTOR HOOD DECAL	1
#	112370	WIRE DIAGRAM DECAL	1
#	113552	OWNER'S MANUAL	1
#	113553	LITERATURE PACKET	1
.	.	113552 OWNER'S MANUAL	1
.	.	112589 PULSE/CLOTHES CLIP	1
.	.	111179 HARDWARE KIT	1
.	.	016028 WRENCH CLIP	1

MODEL NUMBER: 29740
VERSION: 02
PRODUCT NAME: 29740
PRODUCT DESC:

MODEL/PART BOOK LISTING

PAGE 3

INI023P1
RUN DATE: 2/07/97
RUN TIME: 20:02:19

KEY NUMBER	PART NUMBER	DESCRIPTION	QUANTITY
.	.	045010 ALLEN WRENCH	1
.	.	104063 SIDERAIL BOLT	2
.	.	110468 SIDERAIL WASHER	2