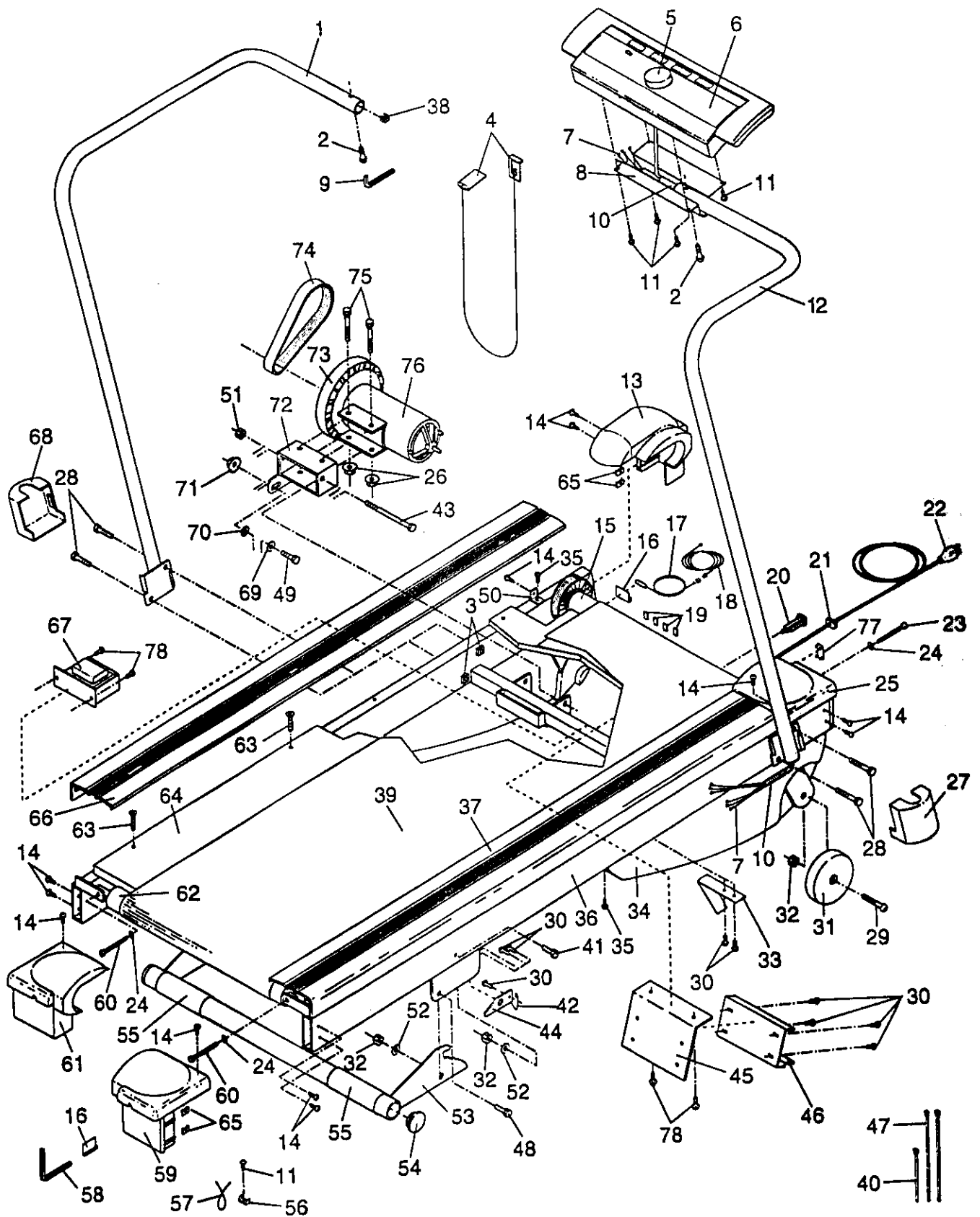


EXPLODED DRAWING—Model No. 831.297431

Rev. 7/95



MODEL NUMBER: 29743

MODEL/PART BOOK LISTING

PAGE 1

VERSION: 01

INI023P1

PRODUCT NAME: LIFESTYLER EXPANSE 500

RUN DATE: 3/22/97

PRODUCT DESC:

RUN TIME: 9:51:13

KEY NUMBER	PART NUMBER	DESCRIPTION	QUANTITY
		LIFESTYLER EXPANSE 500	0
1	123635	LEFT HANDRAIL	1
2	122137	HANDRAIL BOLT	2
3	111869	CAGE NUT	4
4	119038	SAFETY KEY/CLIP	1
5	110000	SPEED CONTROL KNOB	1
6	124150	CONSOLE W/RI	1
7	123897	WIRE HARNESS	1
8	123637	CONSOLE PLATE	1
9	045017	7/32" ALLEN WRENCH	1
10	103643	12" CABLE LOOM	2
11	013141	CONSOLE SCREW	4
12	123633	RIGHT HANDRAIL	1
13	123993	PULLEY COVER	1
14	013322	ENDCAP SCREW	12
15	124147	FRONT ROLLER/PULLEY ASSY	1
16	016028	ADHESIVE CLIP	2
17	118153	REED SWITCH	1
18	118195	EXTENSION WIRE	1
19	054023	WIRE CLIP	4
20	109382	CIRCUIT BREAKER	1
21	124695	GROMMET	1
22	124669	POWER CORD	1
23	112609	FRONT ROLLER ADJ BOLT	1
24	014127	ADJUSTMENT WASHER	3
25	123994	FRONT RIGHT ENDCAP	1
26	105477	MOTOR NUT	2
27	123922	RIGHT HANDRAIL CAP	1
28	013601	3/8" X 2" BOLT	4
29	117806	WHEEL BOLT	2
30	120630	SMALL SCREW	14
31	123647	FRONT WHEEL	2
32	012056	FRONT WHEEL/INCLINE NUT	6
33	127098	BELT GUIDE W/RI	2
34	123628	SAFETY COVER	1
35	013162	SAFETY COVER SCREW	10
36	NSP	FRAME	1
37	124148	RT FOOT RAIL ASSEMBLY	2
		123558 FOOT RAIL	1
		127860 NAIL	6
		107103 REPLACEMENT INSTR.	1
38	111430	CONSOLE CAGE NUT	2
39	124145	WALKING BELT W/RI	1
40	016029	4" WIRE TIE	1
41	124422	INCLINE LEG BOLT	2
42	124565	INCLINE LEG SPRING	4
43	107503	MOTOR PIVOT BOLT	1
44	123666	INCLINE LEG LATCH	2
45	122363	CONTROLLER PLATE	1
46	122871	CONTROLLER W/RI	1
47	016057	8" WIRE TIE	2
48	124423	INCLINE BOLT	2
49	013547	MOTOR LOCK BOLT	1
50	124292	PULLEY COVER BRACKET	1

MODEL NUMBER: 29743

MODEL/PART BOOK LISTING

PAGE 2

VERSION: 01

IN1023P1

PRODUCT NAME: LIEFSTYLER EXPANSE 500

RUN DATE: 3/22/97

PRODUCT DESC:

RUN TIME: 9:51:13

KEY NUMBER	PART NUMBER	DESCRIPTION	QUANTITY
51	012108	MOTOR SWIVEL NUT	1
52	014105	INCLINE LEG WASHER	4
53	123627	INCLINE LEG	1
54	116980	INCLINE LEG ENDCAP	2
55	123961	INCLINE LEG PAD	2
56	116927	CABLE TIE CLIP	1
57	116926	CABLE TIE	1
58	126040	3/16" ALLEN WRENCH	1
59	123992	RIGHT REAR ENDCAP	1
60	105444	REAR ROLLER ADJ BOLT	2
61	123991	LEFT REAR ENDCAP	1
62	109788	REAR ROLLER W/RI	1
63	100691	PLATFORM SCREW	8
64	124146	WALKING PLATFORM W/RI	1
65	133333	FRAME ENDCAP MTO NUT	8
66	125323	LEFT FOOT RAIL ASSEMBLY	1
.	.	126840 LEFT FOOT RAIL	1
.	.	127860 NAIL	6
.	.	107103 REPLACEMENT INSTR.	1
67	031238	CHOKE	1
68	123921	LEFT HANDRAIL CAP	1
69	122812	MOTOR TENSION WASHER	1
70	014117	STAR WASHER	1
71	120867	MOTOR TENSION NUT	1
72	122632	MOTOR MOUNT BRACKET W/RI	1
73	112825	PULLEY/FLYWHEEL/FAN	1
74	118016	MOTOR BELT	1
75	123385	CARRIAGE BOLT	2
76	124100	MOTOR W/RI	1
76A	124151	MOTOR/PULY/FLWH/FAN ASSY	1
77	126130	SAFETY PLUG	1
78	108080	CHOKE/ELEC. BRACKET SCREW	4
.	.	NON-ILLUSTRATED PARTS	0
#	131090	REED SWITCH WIRE CLAMP	1
#	129416	POTENTIOMETER	1
#	NLA	BATTERY	2
#	127733	BATTERY COVER	1
#	117992	SAFETY COVER PLUG	1
#	123898	WHITE 2 WIRE JUMPER	1
#	111467	POTENTIOMETER WIRE	1
#	115868	POT EXTENSION WIRE 12"L	1
#	124012	REAR LEG DECAL	1
#	123946	TECH SHEET	1
#	123945	TECH SHEET ENVELOPE	1
#	124886	OWNER'S MANUAL	1
#	124887	LITERATURE PACKET	1
.	.	124886 OWNER'S MANUAL	1
.	.	123921 LEFT HANDRAIL CAP	1
.	.	123922 RIGHT HANDRAIL CAP	1
.	.	123642 HARDWARE KIT	1
.	.	016028 ADHESIVE CLIP	1
.	.	126040 3/16" ALLEN WRNCH	1
.	.	045017 7/32" ALLEN WRNCH	1
.	.	013601 2" SCREW	3

MODEL NUMBER: 29743

MODEL/PART BOOK LISTING

PAGE 3

VERSION: 01

INI023P1

PRODUCT NAME: LIEFSTYLER EXPANSE 500

RUN DATE: 3/22/97

PRODUCT DESC:

RUN TIME: 9:51:13

KEY NUMBER	PART NUMBER	DESCRIPTION	QUANTITY
		122137 1/2" SCREW	1