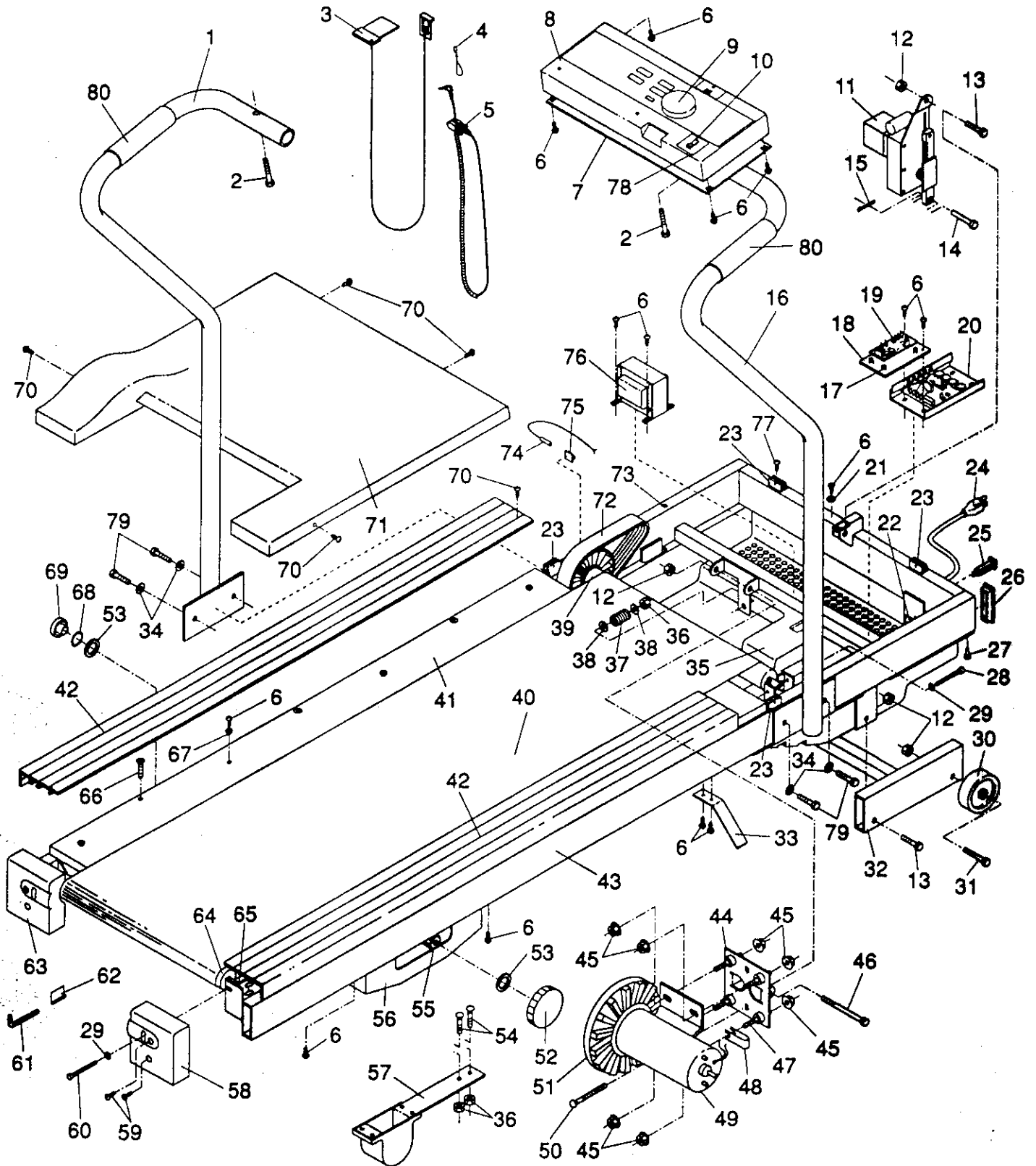


EXPLODED DRAWING—Model No. 831.297510

Rev. 11/92



MODEL NUMBER: 29751
 VERSION: 00
 PRODUCT NAME: LIFESTYLER 10 ESP
 PRODUCT DESC:

MODEL/PART BOOK LISTING

PAGE 1
 INI023P1
 RUN DATE: 7/25/96
 RUN TIME: 11:20:41

KEY NUMBER	PART NUMBER	DESCRIPTION	QUANTITY
1	111961	LEFT SIDE RAIL W/FOAM	1
	.	111162 LEFT SIDE RAIL	1
	.	103175 FOAM GRIP	1
2	013293	LONG SIDE RAIL BOLT, 1.75"	2
3	106337	SAFETY KEY/CLIP	1
4	054013	CLOTHES CLIP	1
5	119946	PULSE/CLOTHES CLIP ASSY.	1
6	108080	SMALL SCREW	21
7	111167	CONSOLE PLATE	1
8	111963	CONSOLE ASSEMBLY	1
	.	111200 CONSOLE	1
	.	031108 LIFT SWITCH	1
	.	009135 HOOD ACCESS	1
	.	111964 CN-INSTALL INST.	1
9	110000	SPEED CONTROL KNOB	1
10	031108	INCLINE CONTROL SWITCH	1
11	115523	INCLINE MOTOR	1
12	012108	LOCK NUT	6
13	013564	LEG/MOTOR BOLT	3
14	100896	INCLINE MOTOR PIN	1
15	106334	COTTER PIN	1
16	111962	RIGHT SIDE RAIL W/FOAM	1
	.	111164 RIGHT SIDE RAIL	1
	.	103175 FOAM GRIP	1
17	015071	PLASTIC STAND-OFF	4
18	108973	MOUNTING BRACKET	1
19	111205	INCL. CONTROL BOARD W/CN*	1
	.	105988 CONTROL BOARD	1
	.	015071 PLASTIC STAND-OFF	4
	.	111204 CN-INSTALL INST.	1
20	110447	CONTROLLER W/CN	1
	.	108580 CONTROLLER	1
	.	110446 CN-INSTALL INST.	1
21	014157	GROUND WASHER	1
22	019084	GROMMET	1
23	109095	HOOD ANCHOR	4
24	031229	POWER CORD	1
25	109382	CIRCUIT BREAKER	1
26	109269	FRAME ENDCAP	2
27	104623	SAFETY COVER SCREW	10
28	106615	FRONT ROLLER ADJ. BOLT	1
29	014127	ROLLER ADJ. WASHER	3
30	052014	FRONT WHEEL	2
31	105329	WHEEL BOLT	2
32	109105	INCLINE LEG	1
33	109265	BELT GUIDE	2
34	110468	HANDRAIL WASHER	4
35	108603	SAFETY COVER	1
36	012082	NUT	5
37	104514	TENSION SPRING	1
38	014041	FLAT WASHER	2
39	111960	FR ROLLER/SLV/PULY ASSY.*	1
	.	111681 ROLLER/SLEEVE/PULY	1
	.	111285 CN-INSTALL INST.	1

MODEL NUMBER: 29751
 VERSION: 00
 PRODUCT NAME: LIFESTYLER 10 ESP
 PRODUCT DESC:

MODEL/PART BOOK LISTING

PAGE 2
 INI023P1
 RUN DATE: 7/25/96
 RUN TIME: 11:20:41

KEY NUMBER	PART NUMBER	DESCRIPTION	QUANTITY
40	130471	WALKING BELT ASSEMBLY	1
41	124588	WALKING PLATFORM ASSEMBLY	1
.	.	124587 WALKING PLATFORM	1
.	.	127860 NAIL	12
.	.	110585 CN-INSTALL INST.	1
.	.	NOTE: THIS ASSEMBLY HAS	0
.	.	BEEN CHANGED FROM THE	0
.	.	ORIGINAL WAXED BOARD	0
42	112553	DECK RAIL *	2
43	NSP	FRAME	1
44	110589	MOTOR MOUNT PLATE W/CN *	1
.	.	109242 MOTOR MOUNT PLATE	1
.	.	110587 CN-INSTALL INST.	1
45	105477	MOTOR MOUNT NUT	8
46	101263	MOTOR PIVOT BOLT	1
47	108473	MOTOR ISOLATOR	4
48	108474	MOTOR GROUND STRAP	1
49	110588	MOTOR W/CONSUMER NOTICE	1
.	.	128417 MOTOR	1
.	.	110587 CN-INSTALL INST.	1
49A	110740	MOTOR/PULY/FLY/FAN ASSY.*	1
.	.	128417 MOTOR	1
.	.	106114 PULLEY/FLY/FAN ASY	1
.	.	110285 CN-INSTALL INST.	1
50	013207	CARRIAGE BOLT	1
51	106114	PULLEY/FLYWHEEL/FAN ASSY.	1
52	109268	CUSHION KNOB	1
53	109723	ADJUSTMENT ROD WASHER	2
54	110926	CUSHION SPRING BOLT	4
55	109267	SPRING ADJUSTMENT ROD	1
56	110567	CUSHION COVER	2
57	109620	CUSHION SPRING/FOOT	2
.	.	109260 CUSHION SPRING	1
.	.	109266 CUSHION FOOT	1
.	.	112738 FASTENER	4
58	108470	RIGHT ENDCAP	1
59	013300	ENDCAP SCREW	4
60	105444	REAR ROLLER ADJ. BOLT	2
61	045010	ALLEN WRENCH	1
62	016028	TOOL CLAMP	1
63	108469	LEFT ENDCAP	1
64	110441	REAR ROLLER W/CN *	1
.	.	105894 REAR ROLLER	1
.	.	103847 CN-INSTALL INST.	1
65	110396	REAR ROLLER SPACER	2
66	100691	PLATFORM SCREW	6
67	109278	DECK RAIL WASHER	8
68	108778	RETAINER	1
69	109518	ROD ENDCAP	1
70	108404	HOOD/DECK RAIL SCREW	6
71	111950	MOTOR HOOD W/DECALS *	1
.	.	108433 MOTOR HOOD	1
.	.	111170 MOTOR HOOD DECAL	1
.	.	111171 WIRE DIAGRAM DECAL	1

MODEL NUMBER: 29751
 VERSION: 00
 PRODUCT NAME: LIFESTYLER 10 ESP
 PRODUCT DESC:

MODEL/PART BOOK LISTING

PAGE 3
 INI023P1
 RUN DATE: 7/25/96
 RUN TIME: 11:20:41

KEY NUMBER	PART NUMBER	DESCRIPTION	QUANTITY
72	106939	BELT	1
73	016055	WIRE CLIP	3
74	115572	REED SWITCH/SENSOR WIRE	1
75	111680	REED SWITCH BRACKET	1
76	109365	CHOKE	1
77	101049	HOOD ANCHOR SCREW	4
78	009135	INCLINE CONTROL BEZEL	1
79	116068	SIDE RAIL BOLT	4
80	103175	SIDE RAIL FOAM GRIP	2
.	.	NON-ILLUSTRATED PARTS:	0
#	129418	POTENTIOMETER	1
#	NLA	BATTERY (1.5 VOLT)	2
#	110402	BATTERY COVER (SNAP-ON)	1
#	111170	MOTOR HOOD DECAL	1
#	111171	WIRE DIAGRAM DECAL	1
#	105575	FRAME DECAL	1
#	109333	CUSHION DECK DECAL	1
#	111172	OWNER'S MANUAL	1
.	111173	LITERATURE PACKET	1
.	.	111172 OWNER'S MANUAL	1
.	.	112589 PULSE EARCLIP	1
.	.	111179 HARDWARE KIT	1
.	.	016028 TOOL CLAMP	1
.	.	045010 ALLEN WRENCH	1
.	.	104063 1/2" SDRAIL BOLT	2
.	.	110468 SIDERAIL WASHER	2
.	.	*--THESE ARE ESTIMATED	0
.	.	COSTS!!!!	0