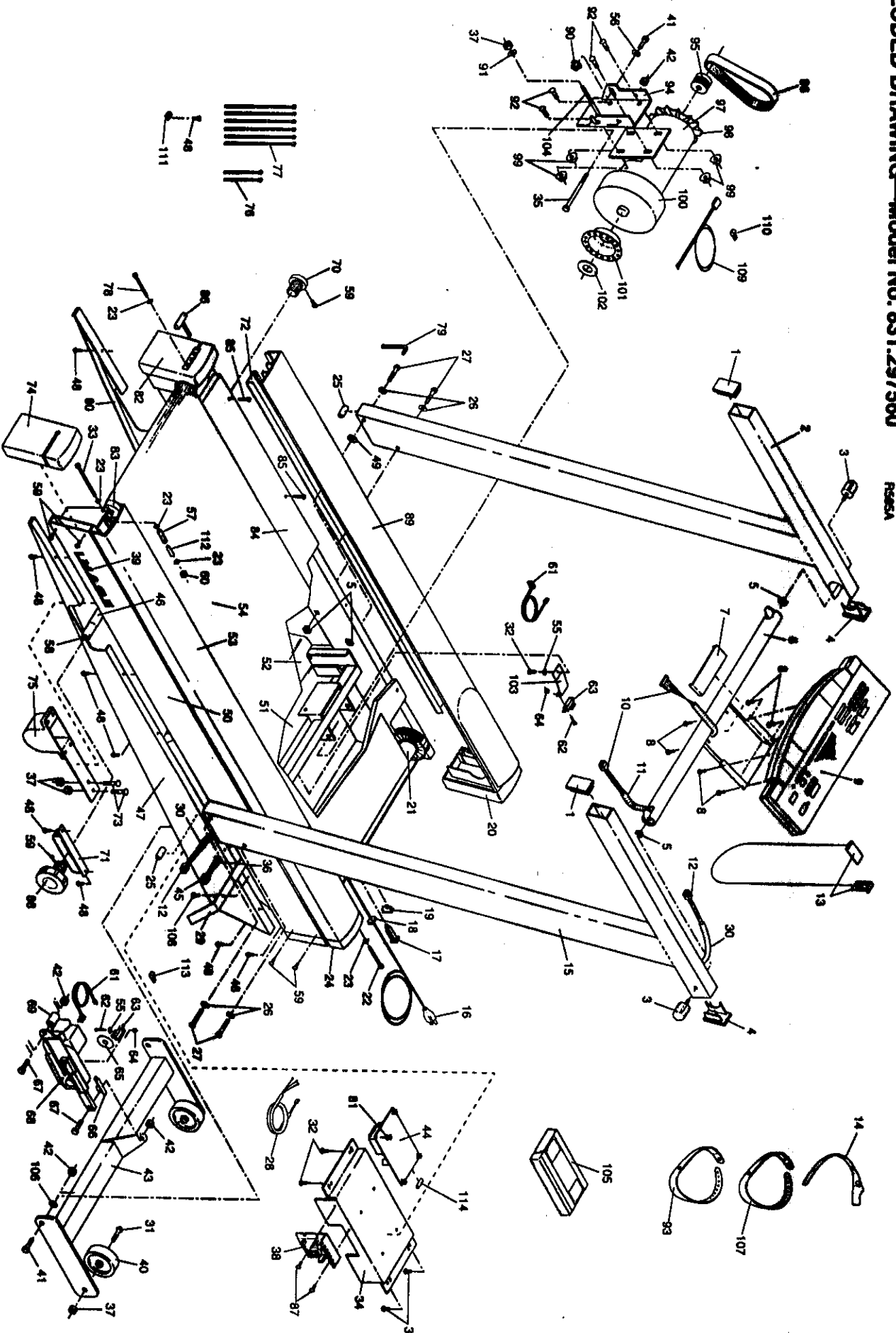


EXPLODED DRAWING—Model No. 831.297560

RUSSA



MODEL NUMBER: 29756
 VERSION: 00
 PRODUCT NAME: IMAGE 10.6
 PRODUCT DESC:

MODEL/PART BOOK LISTING

PAGE 1
 INI023P1
 RUN DATE: 1/10/97
 RUN TIME: 19:44:39

KEY NUMBER	PART NUMBER	DESCRIPTION	QUANTITY
.	.	IMAGE 10.6, TREADMILL	0
.	.	5/95 LOGAN	0
1	124172	ENDCAP	2
2	124171	LEFT UPRIGHT	1
3	120244	CONSOLE KNOB	2
4	124174	UPRIGHT ENDCAP	2
5	111869	CAGE NUT	6
6	124456	CONSOLE CROSSBAR *	1
7	124173	WIRE COVER	1
8	013141	CONSOLE SCREW	12
9	124578	CONSOLE W/RI *	1
10	125569	CONSOLE WIRE HARNESS, 24"	1
11	117988	24" CABLE LOOM	1
12	124010	UPRIGHT WIRE HARNESS, 54"	1
13	119038	SAFETY KEY/CLIP	1
14	120644	PULSE SENSOR	1
14A	127731	NOTE: OPTIONAL CORDED PULSE MONITOR. ORDER ONLY AT CUSTOMER REQUEST.	1 0 0
.	.		
15	124170	RIGHT UPRIGHT	1
16	125826	POWER CORD W/GROMMET	1
17	109382	CIRCUIT BREAKER	1
18	125830	GROMMET ASSEMBLY	1
19	119163	ON/OFF SWITCH	1
20	123474	LEFT FRONT ENDCAP	1
21	125180	FRONT ROLLER/PULLEY W/RI	1
22	112609	FRONT ROLLER ADJ. BOLT	1
23	014127	ROLLER ADJ. WASHER	5
24	123473	RIGHT FRONT ENDCAP	1
25	122332	UPRIGHT SPACER	2
26	014132	UPRIGHT WASHER	4
27	123494	3/8" X 3 1/2" BOLT	4
28	120311	POWER BRD-CONTROLLER WIRE	1
29	121460	BELT GUIDE	1
30	113203	6" CABLE LOOM	1
31	117806	WHEEL BOLT	2
32	108080	SCREW	5
33	120243	RT REAR BELT TENSION BOLT	1
34	123308	ELECTRONICS BRACKET	1
35	107503	MOTOR SWIVEL BOLT	1
36	113204	12" CABLE LOOM	1
37	012056	WHEEL/CUSHION FOOT NUT	7
38	120767	CONTROLLER W/RI	1
39	123530	IMAGE LOGO	1
40	052014	FRONT WHEEL	2
41	013547	LEG/MOTOR TENSION BOLT	3
42	012149	LEG/MOTOR TENSION NUT	5
43	124451	INCLINE LEG *	1
44	122215	POWER BOARD	1
45	120823	20" WIRE HARNESS	1
46	122331	ROD SLEEVE	2
47	124449	RIGHT SKIRT	1
48	013162	SKIRT SCREW/COVER SCREW	27
49	014117	STAR WASHER	2

MODEL NUMBER: 29756
 VERSION: 00
 PRODUCT NAME: IMAGE 10.6
 PRODUCT DESC:

MODEL/PART BOOK LISTING

PAGE 2
 INI023P1
 RUN DATE: 1/10/97
 RUN TIME: 19:44:39

KEY NUMBER	PART NUMBER	DESCRIPTION	QUANTITY
50	NSP	FRAME	1
51	124466	FRONT SAFETY COVER	1
52	121447	REAR SAFETY COVER	1
53	124908	RIGHT FOOT RAIL	1
54	124581	WALKING BELT W/RI *	1
55	014157	OPTIC SWITCH WASHER	2
56	122812	MOTOR TENSION WASHER	1
57	128986	BELT TENSION SPRING	1
58	121458	CUSHION FOOT ROD	1
59	013028	ENDCAP SCREW/KNOB SCREW	10
60	012096	SPRING NUT	1
61	102633	OPTIC SWITCH WIRE HARNESS	2
62	102959	SMALL BOLT	1
63	102955	OPTIC SWITCH	2
64	012152	SMALL NUT	2
65	109370	INCLINE OPTIC SWITCH	1
66	116892	INCLINE MOTOR BRACKET	1
67	119375	INCLINE MOTOR BOLT	2
68	123478	INCLINE MOTOR *	1
69	114270	INCLINE MOTOR SPACER	1
70	128068	BAR ENDCAP	1
71	120483	CUSHION FOOT INSERT	4
72	122860	FOOT RAIL BRACKET ASSY	2
.	.	121135 FOOT RAIL MTG BKT	1
.	.	127860 NAIL	6
.	.	120442 REPLACEMENT INSTR.	1
73	110926	CUSHION FOOT BOLT	4
74	123471	RIGHT REAR ENDCAP	1
75	115046	CUSHION FOOT	2
.	.	109260 SPRING	1
.	.	113986 CUSHION FOOT	1
.	.	112738 FASTENER	4
.	.	129743 REPLACEMENT INSTR.	1
76	016029	4" CABLE TIE	2
77	016057	8" CABLE TIE	6
78	013206	LT REAR BELT TENSION BOLT	1
79	045017	7/32" ALLEN WRENCH	1
80	124450	LEFT SKIRT	1
81	125819	PLASTIC STAND-OFF	4
82	123472	LEFT REAR ENDCAP	1
83	122843	REAR ROLLER W/RI	1
84	124715	WALKING BOARD W/FASTENERS	1
85	119779	PLATFORM SCREW	8
86	120844	BELT TOOL, 3/16" WRENCH	1
87	120866	CONTROLLER SCREW	2
88	120482	CUSHION KNOB	1
89	125681	LEFT FOOT RAIL ASSEMBLY	1
.	.	124907 LEFT FOOT RAIL	1
.	.	123483 PULLEY COVER	1
.	.	013516 SCREW	4
.	.	107103 REPLACEMENT INSTR.	1
90	120867	MOTOR TENSION NUT	1
91	014041	MOTOR TENSION WASHER	1
92	013445	MOTOR BOLT	4

MODEL NUMBER: 29756
 VERSION: 00
 PRODUCT NAME: IMAGE 10.6
 PRODUCT DESC:

MODEL/PART BOOK LISTING

PAGE 3
 INI023P1
 RUN DATE: 1/10/97
 RUN TIME: 19:44:39

KEY NUMBER	PART NUMBER	DESCRIPTION	QUANTITY
93	126558	BLUE HEADBAND	1
94	125243	MOTOR BRACKET W/RI *	1
95	124465	MOTOR PULLEY *	1
96	101004	MOTOR BELT	1
97	124716	MOTOR W/RI *	1
97A	124718	MOTOR/PULLEY/FAN/FLYWHEEL*	1
.	.	126466 MOTOR	1
.	.	129653 OPTIC DISK W/RI	1
.	.	124465 PULLEY	1
.	.	115836 FLYWHEEL	1
.	.	031226 FAN	1
.	.	013445 BOLT	1
.	.	124361 DISK SUPPORT	1
.	.	124717 REPLACEMENT INSTR*	1
98	031226	MOTOR FAN	1
99	105477	MOTOR NUT	4
100	115836	FLYWHEEL	1
.	.	(NOTE: IF THE COLLAR IS	0
.	.	NEEDED, ORDER A FLYWHEEL.	0
.	.	THE COLLAR COMES ON THE	0
.	.	FLYWHEEL.)	0
101	129653	SPEED OPTIC DISK	1
102	124361	FOAM PAD *	1
103	124454	OPTIC SWITCH BRACKET	1
104	103855	J-BOLT	1
105	125599	VIDEO TAPE	1
106	124009	NYLON WASHER	2
107	126481	RED HEADBAND	1
108	120630	BELT GUIDE SCREW	3
109	124933	THERMAL SWITCH *	1
110	124934	STRAIN RELIEF	2
111	116927	TIE HOLDER CLAMP	1
112	123470	SPACER SLEEVE	1
113	115872	HARNES STRAIN RELIEF	1
114	110463	POWER BRD CIRCUIT BREAKER	1
.	.	NON-ILLUSTRATED PARTS	0
#	103825	20" BLACK WIRE, 2F	1
#	120873	14" BLACK WIRE, M/F	1
#	109407	4" BLACK WIRE, 2 F	1
#	103823	14" WHITE WIRE, M/F	1
#	102246	8" WHITE WIRE, 2F	1
#	112083	8" BLUE WIRE, 2F	1
#	118204	8" BLUE WIRE, M/F	1
#	102634	8" GREEN GROUND WIRE	1
#	125797	11" RED WIRE, M/F	1
#	NLA	BATTERY (AAA)	1
#	121388	BATTERY COVER	1
#	125724	TECH SHEET	1
#	123945	TECH SHEET ENVELOPE	1
#	126064	OWNER'S MANUAL *	1
#	124561	HARDWARE KIT, BLISTERPAK *	1
.	.	126064 OWNER'S MANUAL	1
.	.	125599 VIDEO	1
.	.	127470 CN-VIDEO PHONE #	1

MODEL NUMBER: 29756
VERSION: 00
PRODUCT NAME: IMAGE 10.6
PRODUCT DESC:

MODEL/PART BOOK LISTING

PAGE 4
INI023P1
RUN DATE: 1/10/97
RUN TIME: 19:44:39

KEY NUMBER	PART NUMBER	DESCRIPTION	QUANTITY
.	.	124174 ENDCAP	2
.	.	120644 PULSE MONITOR	1
.	.	126481 RED HEADBAND	1
.	.	126558 BLUE HEADBAND	1
.	.	120244 LOCK KNOB	2
.	.	120844 3/16" ALLEN WRENCH	1
.	.	045017 7/32" ALLEN WRENCH	1
.	.	122332 UPRIGHT SPACER	2
.	.	123494 3/8" X 3.5" SCREW	4
.	.	014132 3/8" FLAT WASHER	4
.	.	014117 3/8" STAR WASHER	2
.	.	119038 SAFETY KEY/CLIP	1