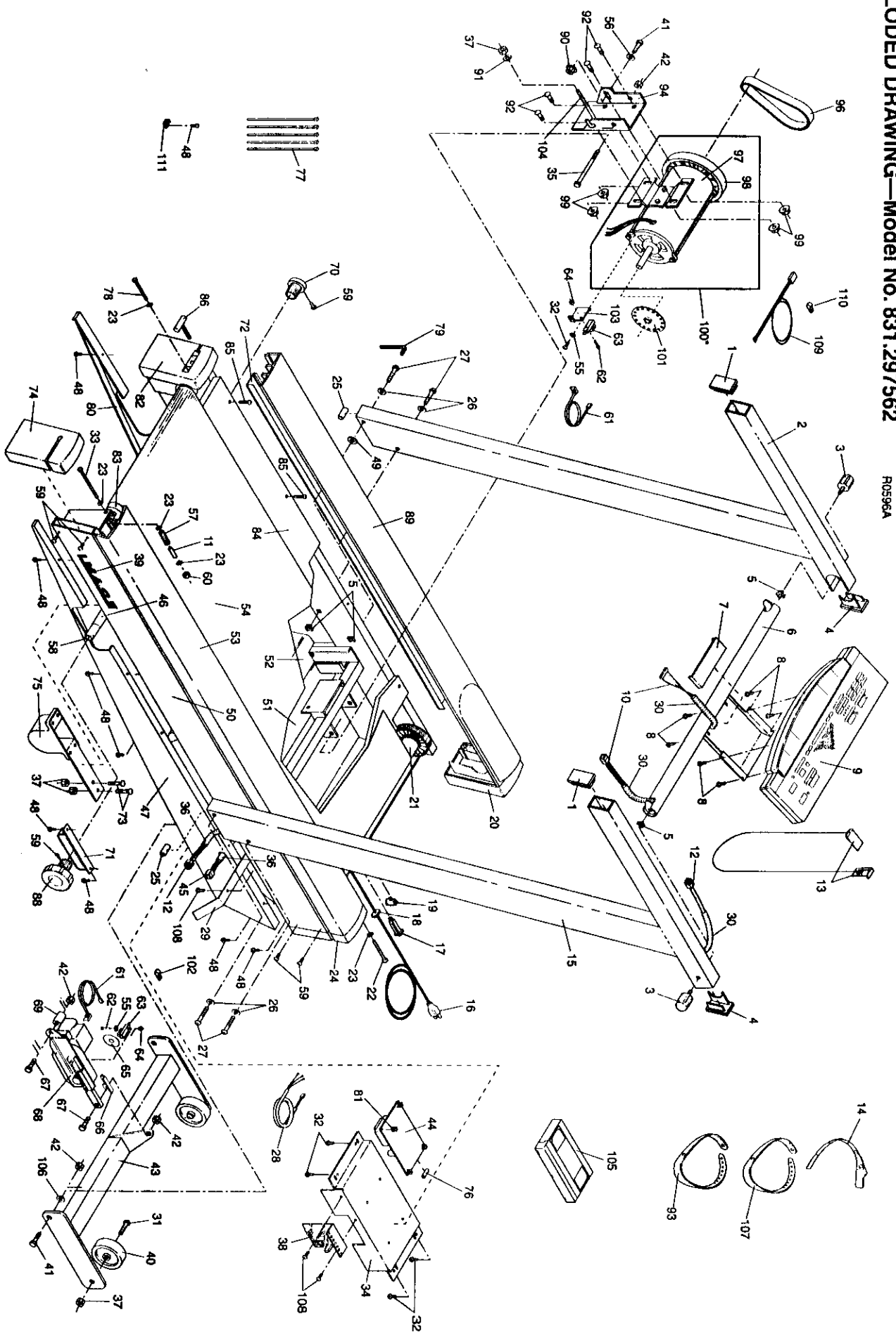


EXPLODED DRAWING—Model No. 831.297562

RO596A



MODEL NUMBER: 29756
VERSION: 02
PRODUCT NAME: IMAGE 10.6
PRODUCT DESC:

MODEL/PART BOOK LISTING

PAGE 1
INI023P1
RUN DATE: 1/10/97
RUN TIME: 20:20:03

KEY NUMBER	PART NUMBER	DESCRIPTION	QUANTITY
.	.	IMAGE 10.6	0
.	.	5/96 LOGAN	0
1	124172	ENDCAP	2
2	124171	LEFT UPRIGHT	1
3	120244	CONSOLE KNOB	2
4	124174	UPRIGHT ENDCAP	2
5	111869	CAGE NUT	6
6	124456	CONSOLE CROSSBAR	1
7	124173	WIRE COVER	1
8	013141	CONSOLE SCREW	6
9	124578	CONSOLE	1
10	125569	CONSOLE WIRE HARNESS, 24"	1
11	123470	SPACER SLEEVE	1
12	124010	UPRIGHT WIRE HARNESS, 54"	1
13	119038	SAFETY KEY/CLIP	1
14	120644	PULSE SENSOR	1
14A	127731	NOTE: OPTIONAL CORDED PULSE MONITOR. ORDER ONLY AT CUSTOMER REQUEST.	1 0 0
.	.		
15	124170	RIGHT UPRIGHT	1
16	031229	POWER CORD	1
17	109382	CIRCUIT BREAKER	1
18	019084	GROMMET ASSEMBLY	1
19	119163	ON/OFF SWITCH	1
20	123474	LEFT FRONT ENDCAP	1
21	125180	FRONT ROLLER/PULLEY	1
22	112609	FRONT ROLLER ADJ. BOLT	1
23	014127	ROLLER ADJ. WASHER	5
24	123473	RIGHT FRONT ENDCAP	1
25	122332	UPRIGHT SPACER	2
26	014132	UPRIGHT WASHER	4
27	123494	3/8" X 3 1/2" BOLT	4
28	120311	POWER BRD-CONTROLLER WIRE	1
29	121460	BELT GUIDE	1
30	109520	6" CABLE LOOM	1
31	117806	WHEEL BOLT	3
32	108080	SCREW	5
33	120243	RT REAR BELT TENSION BOLT	1
34	123308	ELECTRONICS BRACKET	1
35	107503	MOTOR SWIVEL BOLT	1
36	103643	12" CABLE LOOM	2
37	012056	WHEEL/CUSHION FOOT NUT	7
38	120767	CONTROLLER	1
39	123530	IMAGE LOGO	1
40	052014	FRONT WHEEL	2
41	013547	LEG/MOTOR TENSION BOLT	3
42	012149	LEG/MOTOR TENSION NUT	5
43	124451	INCLINE LEG	1
44	122215	POWER BOARD	1
45	120823	20" WIRE HARNESS	1
46	122331	ROD SLEEVE	2
47	124449	RIGHT SKIRT	1
48	013162	SKIRT SCREW/COVER SCREW	27
49	014117	STAR WASHER	2

MODEL NUMBER: 29756
 VERSION: 02
 PRODUCT NAME: IMAGE 10.6
 PRODUCT DESC:

MODEL/PART BOOK LISTING

PAGE 2
 INI023P1
 RUN DATE: 1/10/97
 RUN TIME: 20:20:03

KEY NUMBER	PART NUMBER	DESCRIPTION	QUANTITY
50	NSP	FRAME	1
51	.	FRONT SAFETY COVER	1
.	.	NOTE: IF YOUR MACHINE'S	0
.	.	MTR/PULY/FLWH/FAN IS ONE	0
.	132323	PIECE SEND CVR #132323.	0
.	.	IF IT SEPARATE PIECES	0
.	124466	SEND CVR #124466.	0
52	121447	REAR SAFETY COVER	1
53	124908	RIGHT FOOT RAIL	1
54	124581	WALKING BELT W/FASTENERS	1
55	014157	OPTIC SWITCH WASHER	2
56	122812	MOTOR TENSION WASHER	1
57	128986	BELT TENSION SPRING	1
58	121458	CUSHION FOOT ROD	1
59	013028	ENDCAP SCREW/KNOB SCREW	10
60	012096	SPRING NUT	1
61	102633	OPTIC SWITCH WIRE HARNESS	2
62	102959	SMALL BOLT	2
63	102955	OPTIC SWITCH	2
64	012152	SMALL NUT	2
65	109370	INCLINE OPTIC SWITCH	1
66	116892	INCLINE MOTOR BRACKET	1
67	119375	INCLINE MOTOR BOLT	2
68	123478	INCLINE MOTOR	1
69	114270	INCLINE MOTOR SPACER	1
70	128068	BAR ENDCAP	1
71	120483	CUSHION FOOT INSERT	2
72	122860	FOOT RAIL BKT W/FASTENERS	2
73	110926	CUSHION FOOT BOLT	4
74	123471	RIGHT REAR ENDCAP	1
75	115046	CUSHION FOOT	2
76	110463	POWER BOARD FUSE	1
77	016057	8" CABLE TIE	6
78	013206	LT REAR BELT TENSION BOLT	1
79	045017	7/32" ALLEN WRENCH	1
80	124450	LEFT SKIRT	1
81	125819	PLASTIC STAND-OFF	4
82	123472	LEFT REAR ENDCAP	1
83	122843	REAR ROLLER	1
84	124715	WALKING BOARD W/FASTENERS	1
85	119779	PLATFORM SCREW	8
86	120844	BELT TOOL, 3/16" WRENCH	1
87	120866	CONTROLLER SCREW	2
88	120482	CUSHION KNOB	1
89	125681	LEFT FOOT RAIL W/FASTENER	1
90	120867	MOTOR TENSION NUT	1
91	014041	MOTOR TENSION WASHER	1
92	013445	MOTOR BOLT	4
93	126558	BLUE HEADBAND	1
94	125243	MOTOR BRACKET	1
95	124465	MOTOR PULLEY	1
96	101004	MOTOR BELT	1
97	.	MOTOR	1
.	.	NOTE: IF YOUR MACHINE'S	0

MODEL NUMBER: 29756
 VERSION: 02
 PRODUCT NAME: IMAGE 10.6
 PRODUCT DESC:

MODEL/PART BOOK LISTING

PAGE 3
 INI023P1
 RUN DATE: 1/10/97
 RUN TIME: 20:20:03

KEY NUMBER	PART NUMBER	DESCRIPTION	QUANTITY
.	.	MTR/PULY/FLWH/FAN IS ONE	0
.	130959	PIECE SEND MTR #130959	0
.	.	IF IT IS SEPARATE PIECES	0
.	129016	SEND MTR #129016	0
98	.	PULLEY/FLYWHEEL/FAN	1
.	.	NOTE: IF YOUR MACHINE'S	0
.	.	MTR/PULY/FLWH/FAN IS ONE	0
.	125014	PIECE SEND ASSY# 125014.	0
.	.	IF IT IS SEPARATE PIECES	0
.	031226	SEND MOTOR FAN #031226.	0
.	124465	& SEND PULY #124465	0
.	115836	& SEND FLWH #115836	0
.	.	NOTE: IF THE COLLAR IS	0
.	.	NEEDED FOR THE 115836	0
.	.	FLYWHEEL, ORDER THE FLWH.	0
.	.	THE COLLAR COMES ON THE	0
.	.	FLYWHEEL.	0
99	105477	MOTOR NUT	4
100	.	MTR/PULY/FLWH/FAN	1
.	.	NOTE: IF YOUR MACHINE'S	0
.	.	MTR/PULY/FLWH/FAN IS ONE	0
.	130961	PIECE SEND ASSY #130961	0
.	.	IF IT IS SEPARATE PIECES	0
.	124718	SEND ASSY #124718	0
101	129654	SPEED OPTIC DISK	1
102	115872	HARNES STRAIN RELIEF	1
103	120653	OPTIC SWITCH BRACKET	1
104	103855	J-BOLT	1
105	125599	VIDEO TAPE	1
106	124009	NYLON WASHER	2
107	126481	RED HEADBAND	1
108	120630	BELT GUIDE SCREW	3
109	124933	THERMAL SWITCH	1
110	124934	STRAIN RELIEF	2
111	116927	TIE HOLDER CLAMP	1
.	.	NON-ILLUSTRATED PARTS	0
#	103825	20" BLACK WIRE, 2F	1
#	120873	14" BLACK WIRE, M/F	1
#	109407	4" BLACK WIRE, 2F	1
#	103823	14" WHITE WIRE, M/F	1
#	102246	8" WHITE WIRE, 2F	1
#	112083	8" BLUE WIRE, 2F	1
#	118204	8" BLUE WIRE, M/F	1
#	102634	8" GREEN GROUND WIRE	1
#	125797	11" RED WIRE, M/F	1
#	121388	BATTERY COVER	1
#	127860	FASTENERS	12
#	125724	TECH SHEET	1
#	123945	TECH SHEET ENVELOPE	1
#	127470	CN-VIDEO PHONE #	1
#	014063	1/4" FLAT WASHER	4
#	013529	#8 X 1.5" SCREW	2
#	132322	SAFETY COVER SHIM	1
#	122812	MOTOR PIVOT BKT WASHER	2

MODEL NUMBER: 29756
VERSION: 02
PRODUCT NAME: IMAGE 10.6
PRODUCT DESC:

MODEL/PART BOOK LISTING

PAGE 4
INI023P1
RUN DATE: 1/10/97
RUN TIME: 20:20:03

KEY NUMBER	PART NUMBER	DESCRIPTION	QUANTITY
#	129272	USER'S MANUAL	1
#	129271	HARDWARE KIT,BLISTERPAK	1
.	.	129272 USER'S MANUAL	1
.	.	125599 VIDEO	1
.	.	127470 CN-VIDEO PHONE #	1
.	.	124174 ENDCAP	2
.	.	120644 PULSE MONITOR	1
.	.	119038 SAFETY KEY/CLIP	1
.	.	126481 RED HEADBAND	1
.	.	126558 BLUE HEADBAND	1
.	.	120244 LOCK KNOB	2
.	.	129030 HARDWARE KIT	1
.	.	120844 3/16" ALLN WRENCH	1
.	.	045017 7/32" ALLN WRENCH	1
.	.	122332 UPRIGHT SPACER	2
.	.	123494 3/8" X 3.5" SCREW	4
.	.	014132 3/8" FLAT WASHER	4
.	.	014117 3/8" STAR WASHER	2