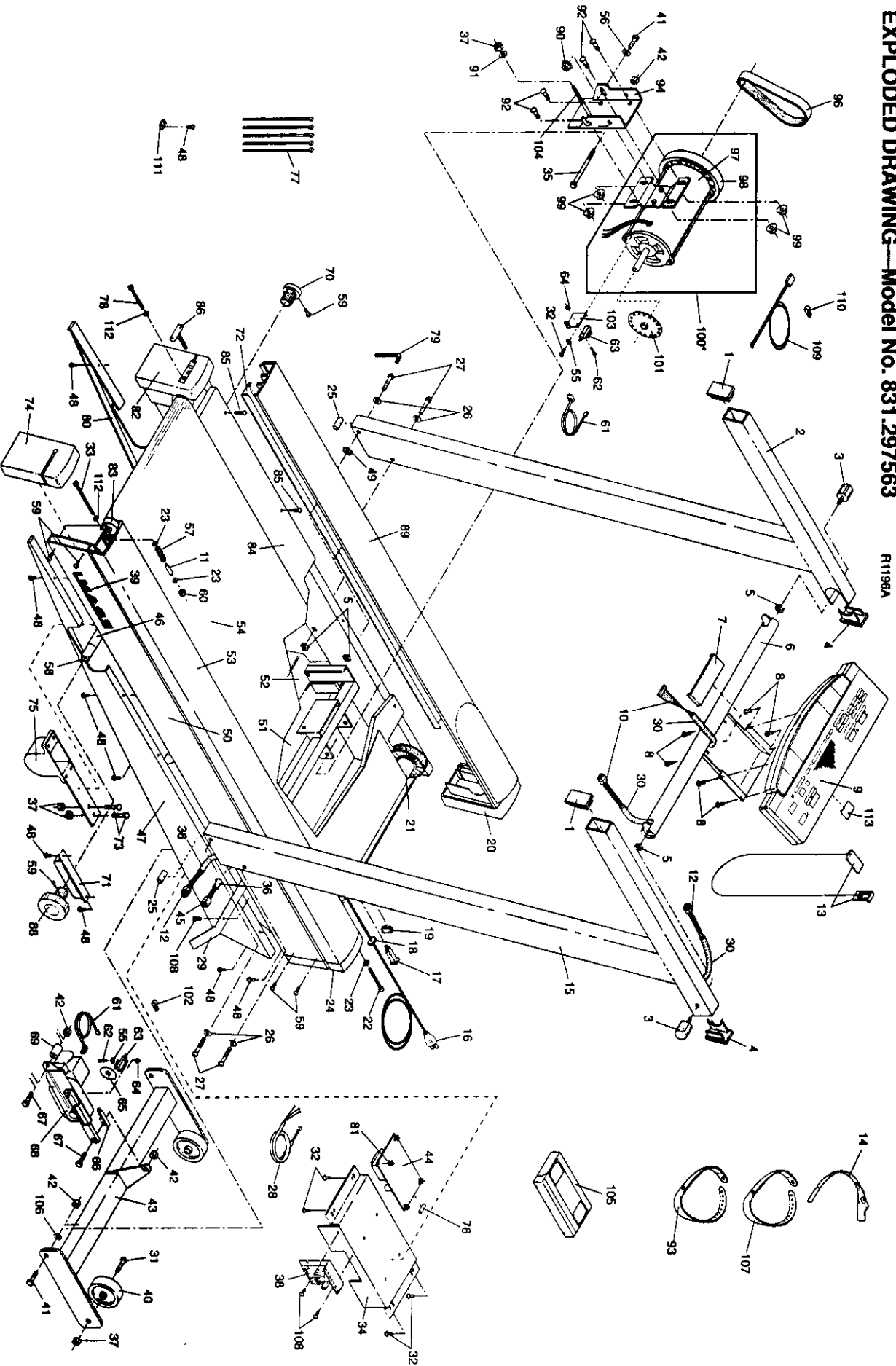


EXPLODED DRAWING—Model No. 831.297563

R1196A



MODEL NUMBER: 29756  
VERSION: 03  
PRODUCT NAME: IMAGE 10.6  
PRODUCT DESC: TREADMILL

MODEL/PART BOOK LISTING

PAGE 1  
INI023P1  
RUN DATE: 12/30/96  
RUN TIME: 9:43:00

| KEY NUMBER | PART NUMBER | DESCRIPTION  | QUANTITY |
|------------|-------------|--|----------|
| .          | .           | 12/96 ALABAMA  | 0        |
| .          | .           | IMAGE 10.6   | 0        |
| 1          | 124172      | ENDCAP   | 2        |
| 2          | 124171      | LEFT UPRIGHT   | 1        |
| 3          | 120244      | CONSOLE KNOB   | 2        |
| 4          | 124174      | UPRIGHT ENDCAP   | 2        |
| 5          | 111869      | CAGE NUT   | 6        |
| 6          | 124456      | CONSOLE CROSSBAR   | 1        |
| 7          | 124173      | WIRE COVER   | 1        |
| 8          | 013141      | CONSOLE SCREW  | 6        |
| 9          | 124578      | CONSOLE  | 1        |
| 10         | 125569      | CONSOLE WIRE HARNESS, 24 "   | 1        |
| 11         | 123470      | SPACER SLEEVE  | 1        |
| 12         | 124010      | UPRIGHT WIRE HARNESS, 54 "   | 1        |
| 13         | 119038      | SAFETY KEY/CLIP  | 1        |
| 14         | 120644      | PULSE SENSOR   | 1        |
| 14A        | 127731      | NOTE: OPTIONAL CORDED<br>PULSE MONITOR. ORDER<br>ONLY AT CUSTOMER REQUEST. | 0<br>0   |
| .          | .           |  |          |
| 15         | 124170      | RIGHT UPRIGHT  | 1        |
| 16         | 031229      | POWER CORD   | 1        |
| 17         | 109382      | CIRCUIT BREAKER  | 1        |
| 18         | 019084      | GROMMET ASSEMBLY   | 1        |
| 19         | 119163      | ON/OFF SWITCH  | 1        |
| 20         | 123474      | LEFT FRONT ENDCAP  | 1        |
| 21         | 125180      | FRONT ROLLER/PULLEY  | 1        |
| 22         | 112609      | FRONT ROLLER ADJ. BOLT   | 1        |
| 23         | 014127      | ROLLER ADJ. WASHER   | 3        |
| 24         | 123473      | RIGHT FRONT ENDCAP   | 1        |
| 25         | 122332      | UPRIGHT SPACER   | 2        |
| 26         | 014132      | UPRIGHT WASHER   | 4        |
| 27         | 123494      | 3/8" X 3 1/2" BOLT   | 4        |
| 28         | 120311      | POWER BRD-CONTROLLER WIRE  | 1        |
| 29         | 121460      | BELT GUIDE   | 1        |
| 30         | 109520      | 6" CABLE LOOM  | 3        |
| 31         | 117806      | WHEEL BOLT   | 2        |
| 32         | 108080      | SCREW  | 4        |
| 33         | 120243      | RT REAR BELT TENSION BOLT  | 1        |
| 34         | 123308      | ELECTRONICS BRACKET  | 1        |
| 35         | 107503      | MOTOR SWIVEL BOLT  | 1        |
| 36         | 103643      | 12" CABLE LOOM   | 2        |
| 37         | 012056      | WHEEL/CUSHION FOOT NUT   | 7        |
| 38         | 120767      | CONTROLLER   | 1        |
| 39         | 123530      | IMAGE LOGO   | 1        |
| 40         | 052014      | FRONT WHEEL  | 2        |
| 41         | 013547      | LEG/MOTOR TENSION BOLT   | 3        |
| 42         | 012149      | LEG/MOTOR TENSION NUT  | 5        |
| 43         | 124451      | INCLINE LEG  | 1        |
| 44         | 122215      | POWER BOARD  | 1        |
| 45         | 120823      | 20" WIRE HARNESS   | 1        |
| 46         | 122331      | ROD SLEEVE   | 2        |
| 47         | 124449      | RIGHT SKIRT  | 1        |
| 48         | 013162      | SKIRT SCREW/COVER SCREW  | 23       |
| 49         | 014117      | STAR WASHER  | 2        |

MODEL NUMBER: 29756  
VERSION: 03  
PRODUCT NAME: IMAGE 10.6  
PRODUCT DESC: TREADMILL

MODEL/PART BOOK LISTING

PAGE 2  
INI023P1

RUN DATE: 12/30/96  
RUN TIME: 9:43:00

| KEY NUMBER | PART NUMBER | DESCRIPTION               | QUANTITY |
|------------|-------------|---------------------------|----------|
| 50         | NSP         | FRAME                     | 1        |
| 51         | 132323      | FRONT SAFETY COVER        | 1        |
| 52         | 121447      | REAR SAFETY COVER         | 1        |
| 53         | 124908      | RIGHT FOOT RAIL           | 1        |
| 54         | 124581      | WALKING BELT W/FASTENERS  | 1        |
| 55         | 014157      | OPTIC SWITCH WASHER       | 2        |
| 56         | 122812      | MOTOR TENSION WASHER      | 1        |
| 57         | 128986      | BELT TENSION SPRING       | 1        |
| 58         | 121458      | CUSHION FOOT ROD          | 1        |
| 59         | 013028      | ENDCAP SCREW/KNOB SCREW   | 10       |
| 60         | 012096      | SPRING NUT                | 1        |
| 61         | 102633      | OPTIC SWITCH WIRE HARNESS | 2        |
| 62         | 102959      | SMALL BOLT                | 2        |
| 63         | 102955      | OPTIC SWITCH              | 2        |
| 64         | 012152      | SMALL NUT                 | 2        |
| 65         | 109370      | INCLINE OPTIC SWITCH      | 1        |
| 66         | 116892      | INCLINE MOTOR BRACKET     | 1        |
| 67         | 119375      | INCLINE MOTOR BOLT        | 2        |
| 68         | 123478      | INCLINE MOTOR             | 1        |
| 69         | 114270      | INCLINE MOTOR SPACER      | 1        |
| 70         | 128087      | BAR ENDCAP                | 1        |
| 71         | 120483      | CUSHION FOOT INSERT       | 2        |
| 72         | 122860      | FOOT RAIL BKT W/FASTENERS | 2        |
| 73         | 110926      | CUSHION FOOT BOLT         | 4        |
| 74         | 123471      | RIGHT REAR ENDCAP         | 1        |
| 75         | 115046      | CUSHION FOOT              | 2        |
| 76         | 110463      | POWER BOARD FUSE          | 1        |
| 77         | 016057      | 8" CABLE TIE              | 5        |
| 78         | 013206      | LT REAR BELT TENSION BOLT | 1        |
| 79         | 045017      | 7/32" ALLEN WRENCH        | 1        |
| 80         | 124450      | LEFT SKIRT                | 1        |
| 81         | 125819      | PLASTIC STAND-OFF         | 4        |
| 82         | 123472      | LEFT REAR ENDCAP          | 1        |
| 83         | 122843      | REAR ROLLER               | 1        |
| 84         | 124715      | WALKING BOARD W/FASTENERS | 1        |
| 85         | 119779      | PLATFORM SCREW            | 8        |
| 86         | 120844      | BELT TOOL, 3/16" WRENCH   | 1        |
| 87         | 120866      | CONTROLLER SCREW          | 2        |
| 88         | 120482      | CUSHION KNOB              | 1        |
| 89         | 125681      | LEFT FOOT RAIL W/FASTENER | 1        |
| 90         | 120867      | MOTOR TENSION NUT         | 1        |
| 91         | 014041      | MOTOR TENSION WASHER      | 1        |
| 92         | 013445      | MOTOR BOLT                | 4        |
| 93         | 126558      | BLUE HEADBAND             | 1        |
| 94         | 125243      | MOTOR BRACKET             | 1        |
| 95         | 124465      | MOTOR PULLEY              | 1        |
| 96         | 101004      | MOTOR BELT                | 1        |
| 97         | 130959      | MOTOR                     | 1        |
| 98         | 125014      | PULLEY/FLYWHEEL/FAN       | 1        |
| 99         | 105477      | MOTOR NUT                 | 4        |
| 100        | 130961      | MTR/PULY/FLWH/FAN         | 1        |
| 101        | 129654      | SPEED OPTIC DISK          | 1        |
| 102        | 115872      | HARNESS STRAIN RELIEF     | 1        |
| 103        | 120653      | OPTIC SWITCH BRACKET      | 1        |

MODEL NUMBER: 29756

MODEL/PART BOOK LISTING

PAGE 3

VERSION: 03

INI023P1

PRODUCT NAME: IMAGE 10.6

RUN DATE: 12/30/96

PRODUCT DESC: TREADMILL

RUN TIME: 9:43:00

| KEY NUMBER | PART NUMBER | DESCRIPTION              | QUANTITY |
|------------|-------------|--------------------------|----------|
| 104        | 103855      | J-BOLT                   | 1        |
| 105        | 125599      | VIDEO TAPE               | 1        |
| 106        | 124009      | NYLON WASHER             | 2        |
| 107        | 126481      | RED HEADBAND             | 1        |
| 108        | 120630      | BELT GUIDE SCREW         | 7        |
| 109        | 124933      | THERMAL SWITCH           | 1        |
| 110        | 124934      | STRAIN RELIEF            | 1        |
| 111        | 116927      | TIE HOLDER CLAMP         | 1        |
| 112        | 014063      | ENDCAP WASHER            | 2        |
| 113        | 121388      | BATTERY COVER            | 1        |
| .          | .           | NON-ILLUSTRATED PARTS    | 0        |
| #          | 103825      | 20" BLACK WIRE, 2F       | 1        |
| #          | 120873      | 14" BLACK WIRE, M/F      | 1        |
| #          | 109407      | 4" BLACK WIRE, 2F        | 1        |
| #          | 103823      | 14" WHITE WIRE, M/F      | 1        |
| #          | 102246      | 8" WHITE WIRE, 2F        | 1        |
| #          | 112083      | 8" BLUE WIRE, 2F         | 1        |
| #          | 118204      | 8" BLUE WIRE, M/F        | 1        |
| #          | 102634      | 8" GREEN GROUND WIRE     | 1        |
| #          | 125797      | 11" RED WIRE, M/F        | 1        |
| #          | 127860      | FASTENERS                | 12       |
| #          | 125724      | TECH SHEET               | 1        |
| #          | 123945      | TECH SHEET ENVELOPE      | 1        |
| #          | 127470      | CN-VIDEO PHONE #         | 1        |
| #          | 134807      | USER'S MANUAL            | 1        |
| #          | 134805      | HARDWARE KIT,BLISTERPAK  | 1        |
| .          | .           | 134807 USER'S MANUAL     | 1        |
| .          | .           | 125599 VIDEO             | 1        |
| .          | .           | 127470 CN-VIDEO PHONE #  | 1        |
| .          | .           | 124174 ENDCAP            | 2        |
| .          | .           | 120644 PULSE MONITOR     | 1        |
| .          | .           | 119038 SAFETY KEY/CLIP   | 1        |
| .          | .           | 126481 RED HEADBAND      | 1        |
| .          | .           | 126558 BLUE HEADBAND     | 1        |
| .          | .           | 120244 LOCK KNOB         | 2        |
| .          | .           | 129030 HARDWARE KIT      | 1        |
| .          | .           | 120844 3/16" ALLN WRENCH | 1        |
| .          | .           | 045017 7/32" ALLN WRENCH | 1        |
| .          | .           | 122332 UPRIGHT SPACER    | 2        |
| .          | .           | 123494 3/8" X 3.5" SCREW | 4        |
| .          | .           | 014132 3/8" FLAT WASHER  | 4        |
| .          | .           | 014117 3/8" STAR WASHER  | 2        |