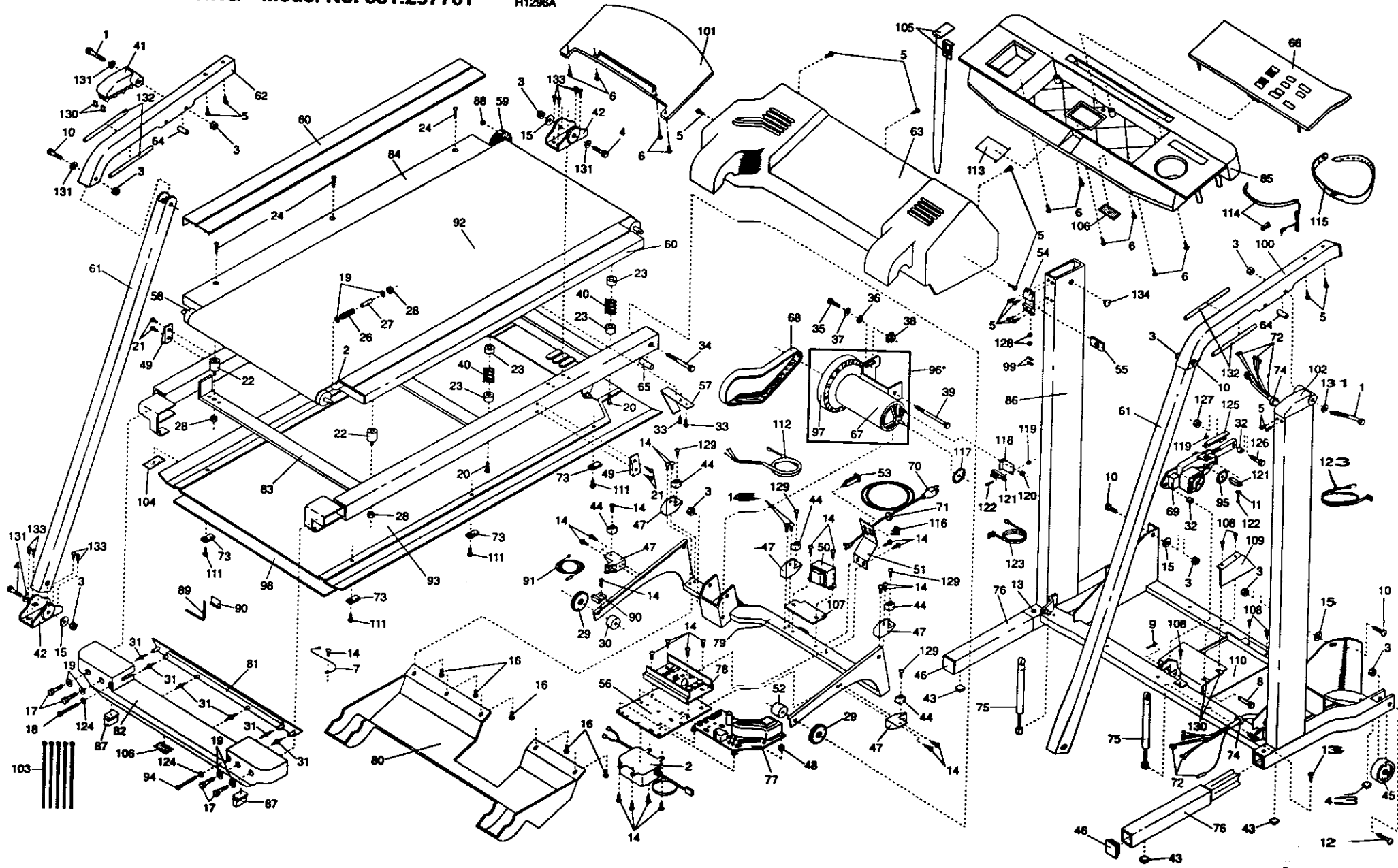


EXPLODED DRAWING—Model No. 831.297761

R1296A



MODEL NUMBER: 29776
 VERSION: 01
 PRODUCT NAME: PROFORM 725TL
 PRODUCT DESC:

MODEL/PART BOOK LISTING

RUN DATE: 4/16/97
 RUN TIME: 18:43:38

KEY NUMBER	PART NUMBER	DESCRIPTION	QUANTITY
	.	PROFORM 725TL	0
	.	11/96 CLEARFIELD	0
1	104725	UPRIGHT ENDCAP BOLT	2
2	128479	REAR ROLLER GUARD	1
3	100427	NUT	10
4	102073	UPRIGHT BRACKET BOLT	3
5	013322	SMALL SCREW	10
6	126996	CONSOLE SCREW	10
7	132549	GROUND WIRE	1
8	112669	COTTER PIN	1
9	106334	HAIRPIN COTTER PIN	1
10	132449	HEX-HEAD BOLT	2
11	014088	SMALL STAR WASHER	1
12	117806	BASE WHEEL BOLT	2
13	013484	EXTENSION BOLT	2
14	013300	SCREW	16
15	.	LARGE WASHER, NOT NEEDED	2
16	133072	BELLY PAN FASTENER	5
17	013456	ENDCAP BOLT	4
18	105444	SHORT ADJUSTMENT BOLT	1
19	014127	ADJUSTMENT WASHER	4
20	013456	FRAME ISOLATOR SCREW	4
21	013576	FRAME GUIDE SCREW	4
22	134300	ISOLATOR	2
23	134302	SPRING CUSHION	8
24	128272	PLATFORM SCREW	8
25	054023	WIRE CLIP	3
26	128986	TENSION SPRING	1
27	123470	SPRING SLEEVE	1
28	121576	ROLLER TENSION NUT	3
29	132456	SPACER	2
30	134360	LEFT ROLLER BUSHING	1
31	127597	ENDCAP FASTENER	6
32	114270	INCLINE MOTOR SPACER	2
33	120630	SMALL SCREW	18
34	120354	UPRIGHT PIVOT BOLT	2
35	013547	MOTOR TENSION BOLT	1
36	014117	STAR WASHER	1
37	122812	MOTOR TENSION WASHER	1
38	120867	MOTOR TENSION NUT	1
39	107503	MOTOR PIVOT BOLT	1
40	132434	SPRING	4
41	132440	LEFT UPRIGHT ENDCAP	1
42	132422	UPRIGHT BRACKET	2
43	129740	BASE PAD	7
44	132394	HOOD ANCHOR	5
45	052012	FRONT WHEEL	2
46	103833	BASE EXTENSION ENDCAP	2
47	132394	HOOD BRACKET	5
48	125819	PLASTIC STAND-OFF	4
49	130251	FRAME GUIDE	2
50	130993	CHOKE	1
51	134347	BRACKET	1
52	136552	RIGHT ROLLER BUSHING	1

MODEL NUMBER: 29776
VERSION: 01
PRODUCT NAME: PROFORM 725TL
PRODUCT DESC:

MODEL/PART BOOK LISTING

PAGE 2
INI023P1
RUN DATE: 4/16/97
RUN TIME: 18:43:38

KEY NUMBER	PART NUMBER	DESCRIPTION	QUANTITY
53	109382	CIRCUIT BREAKER	1
54	131753	STORAGE LATCH BRACKET	1
55	131738	STORAGE LATCH	1
56	132466	ELECTRONICS BRACKET	1
57	109265	BELT GUIDE	2
58	134303	REAR ROLLER	1
59	134305	FRONT ROLLER/PULLEY	1
60	134570	FOOT RAIL W/FASTENERS	2
61	132426	HANDLEBAR	2
62	132565	LEFT HANDLEBAR ARM	1
63	134571	HOOD	1
64	.	HANDRAIL SPCR, NOT NEEDED	2
65	134388	FRAME SPACER	2
66	134572	CONSOLE	1
67	137356	MOTOR	1
68	135866	MOTOR BELT	1
69	129875	INCLINE MOTOR	1
70	124669	POWER CORD	1
71	124695	GROMMET	1
72	134574	WIRE HARNESS	1
73	137676	COVER FASTENER	6
74	129004	WIRE HARNESS GROMMET	2
75	134762	SHOCK	1
76	132435	BASE EXTENSION	2
77	134576	POWER SUPPLY W/CLIPS	1
78	135052	CONTROLLER	1
79	132173	INCLINE LEG	1
80	132453	BELLY PAN	1
81	136203	ENDCAP PLUG W/FASTENERS	1
82	136880	REAR ROLLER ENDCAP COVER	1
83	NSP	FRAME	1
84	134578	WALKING BOARD W/FASTENERS	1
85	137465	CONSOLE BASE	1
86	136073	UPRIGHT/BASE	1
87	132455	LEFT ENDCAP FOOT	1
88	100498	MAGNET	1
89	126040	ALLEN WRENCH	1
90	016028	ADHESIVE CLIP	2
91	118196	REED SWITCH EXTENSION	1
92	134577	WALKING BELT W/FASTENERS	1
93	136869	FRAME COVER	1
94	137409	LONG ADJUSTMENT BOLT	1
95	109370	INCLINE DISK	1
96	137357	MTR/PULY/FLWH/FAN	1
97	126747	PULLEY/FLYWHEEL/FAN	1
98	134649	FRAME COVER PANEL	1
99	136377	LATCH SPRING	2
100	132424	RIGHT HANDLEBAR ARM	1
101	135025	BOOK RACK	1
102	132441	RIGHT UPRIGHT ENDCAP	1
103	016057	8" WIRE TIE	5
104	131605	LATCH WARNING DECAL	1
105	119038	KEY/CLIP	1
106	129232	STORAGE WARNING DECAL	2

MODEL NUMBER: 29776
 VERSION: 01
 PRODUCT NAME: PROFORM 725TL
 PRODUCT DESC:

MODEL/PART BOOK LISTING

PAGE 3
 INI023P1
 RUN DATE: 4/16/97
 RUN TIME: 18:43:38

KEY NUMBER	PART NUMBER	DESCRIPTION	QUANTITY
107	135004	CHOKE PLATE	1
108	129168	COVER SCREW	5
109	134338	INCLINE COVER SHIELD	1
110	134337	INCLINE COVER	1
111	134594	COVER/PANEL SCREW	6
112	125871	MOTOR CONTROLLER WIRE	1
113	129639	BATTERY COVER	1
114	127731	PULSE/CLOTHES CLIP	1
115	126481	HEADBAND	1
116	119163	ON/OFF SWITCH	1
117	119070	SPEED DISK	1
118	120653	OPTIC SWITCH BRACKET	1
119	012152	SMALL NUT	2
120	122125	OPTIC SWITCH NUT	1
121	102955	OPTIC SWITCH	2
122	102959	SMALL BOLT	2
123	126911	OPTIC SWITCH WIRE HRNS	2
124	014063	ROLLER COVER WASHER	2
125	116892	INCLINE BRACKET	1
126	013375	INCLINE BOLT	1
127	119425	INCLINE NUT	2
128	131562	LATCH PAD	2
129	013529	ANCHOR SCREW	5
130	133333	CLIP	2
131	014073	HANDRAIL WASHER	6
132	134761	HANDRAIL EDGE	4
133	013540	UPRIGHT BRACKET SCREW	8
134	127819	UPRIGHT PLUG	2
135	135665	RIGHT ENDCAP FOOT	1
.	.	NON-ILLUSTRATED PARTS	0
#	135922	HANDLEBAR COVER	2
#	109407	4" BLACK WIRE, 2F	1
#	102634	8" GREEN GROUND WIRE	1
#	112083	8" BLUE WIRE, 2F	1
#	102246	8" WHITE WIRE, F/F	1
#	107771	8" WHITE WIRE, M/F	1
#	127860	FASTENER	12
#	133185	HOOD DECAL	1
#	133240	TECH SHEET	1
#	123945	TECH SHEET ENVELOPE	1
#	135998	USER'S MANUAL	1
#	135997	LITERATURE PACKET	1
.	135998	USER'S MANUAL	1
.	119038	KEY/CLIP	1
.	126482	PULSE CLIP	1
.	126481	SWEATBAND	1
.	129740	BASE PAD	1
.	134593	HARDWARE KIT	7
.	013484	1/2" SCREW	1
.	126040	WRENCH	2
.	016028	WRENCH CLIP	1
.	126996	#8 X 1/2" SCREW	1
			4