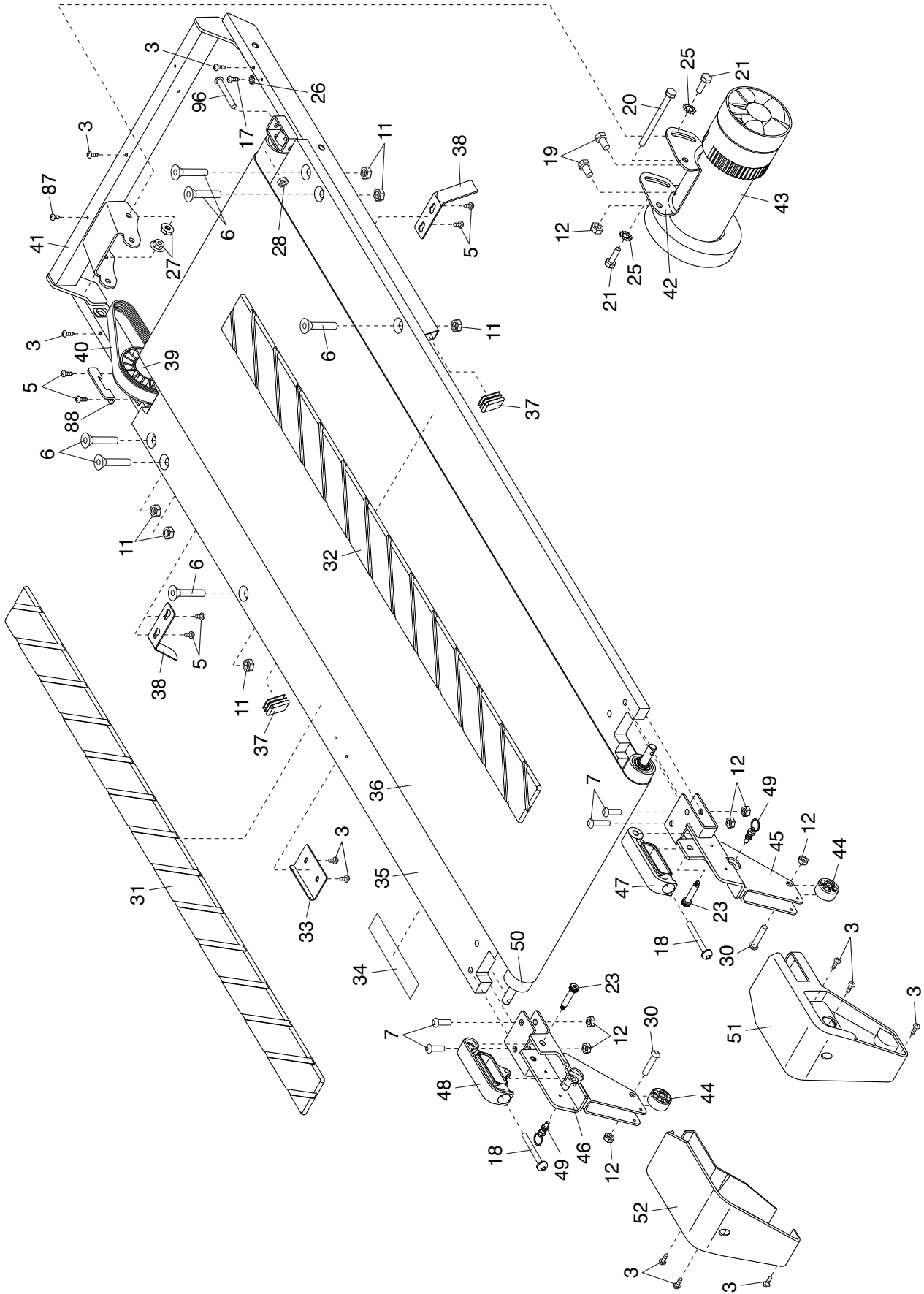


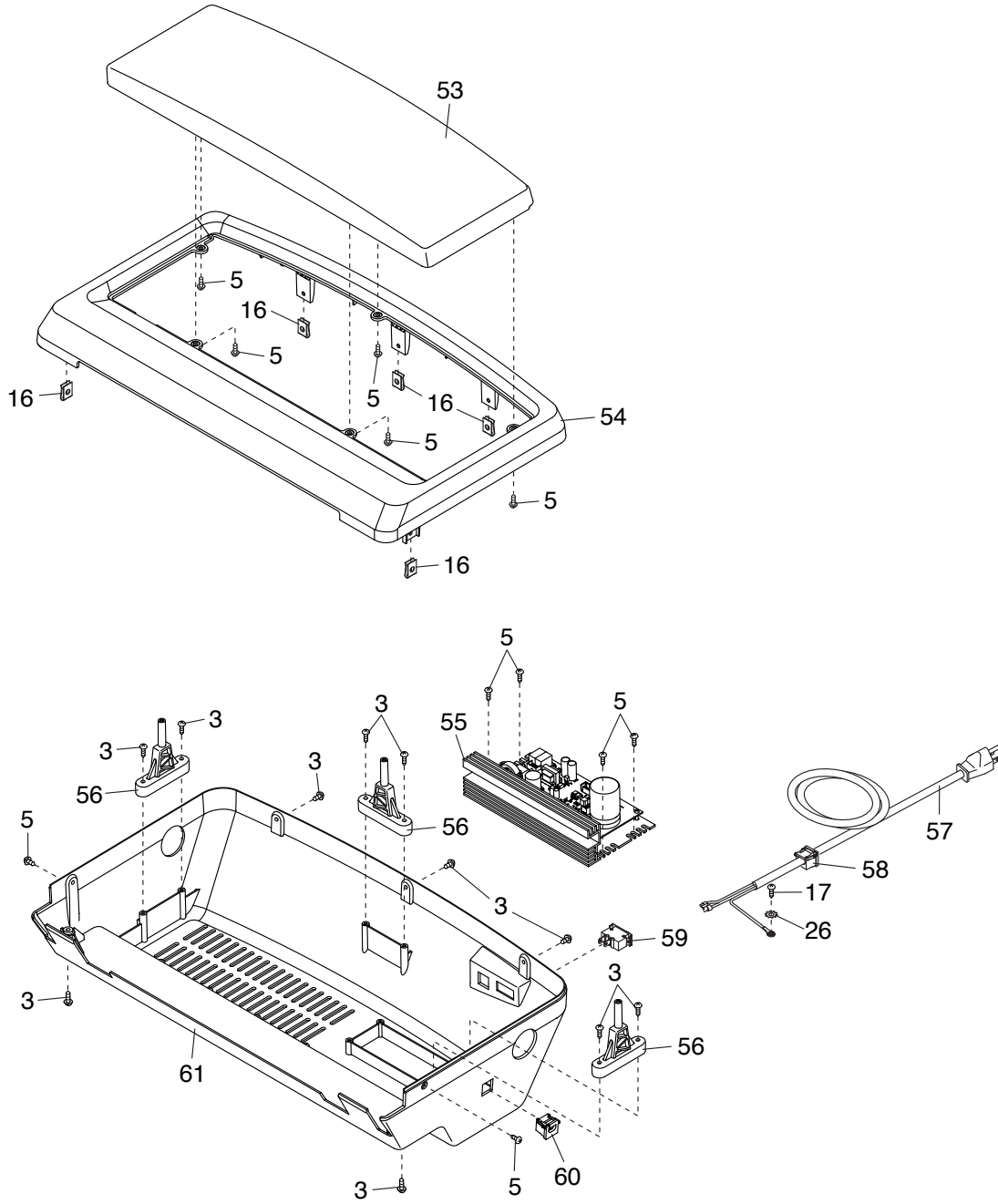
EXPLODED DRAWING A

Model No. PFTL29820.0 R0620A



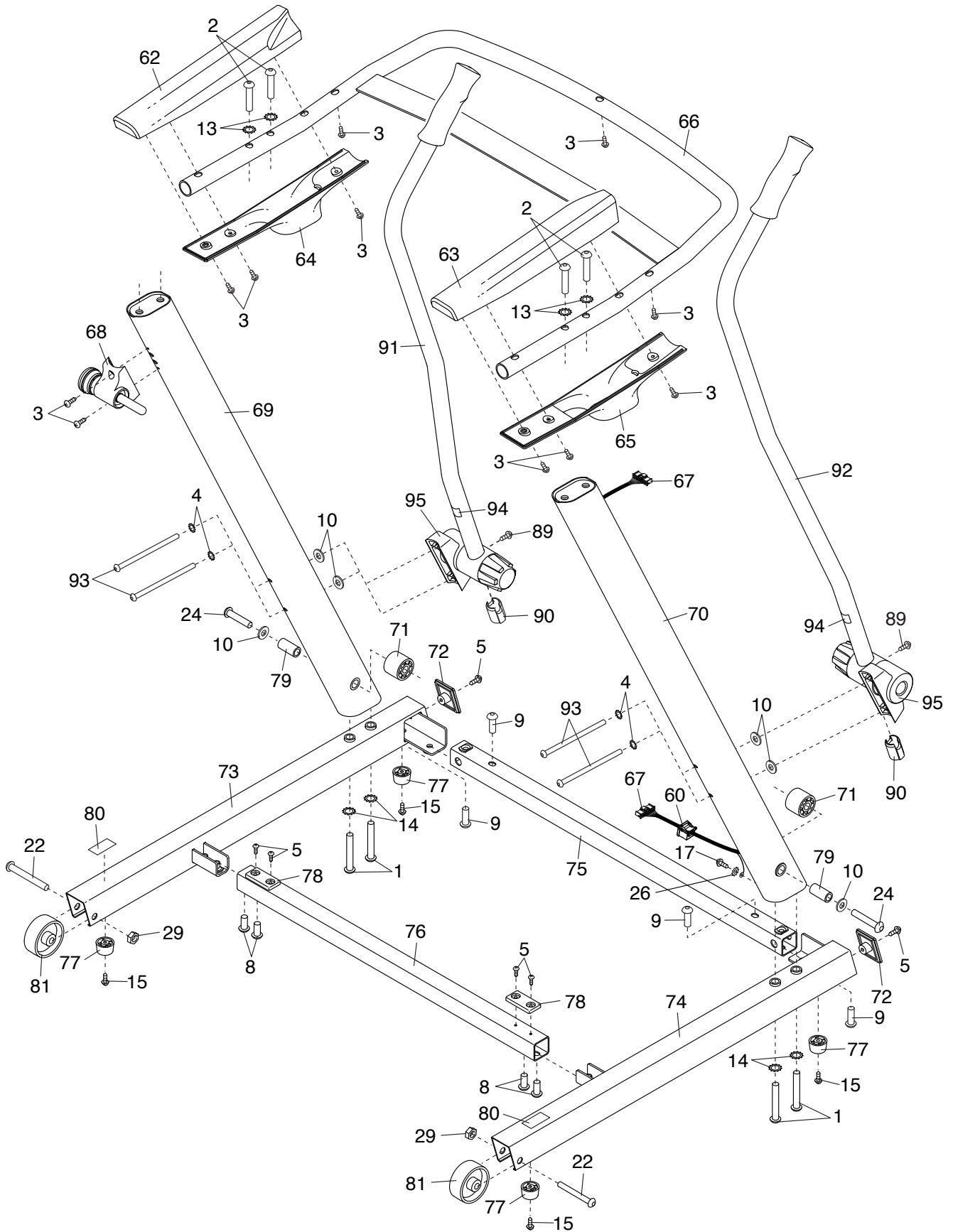
EXPLODED DRAWING B

Model No. PFTL29820.0 R0620A



EXPLODED DRAWING C

Model No. PFTL29820.0 R0620A



EXPLODED DRAWING D

Model No. PFTL29820.0 R0620A

