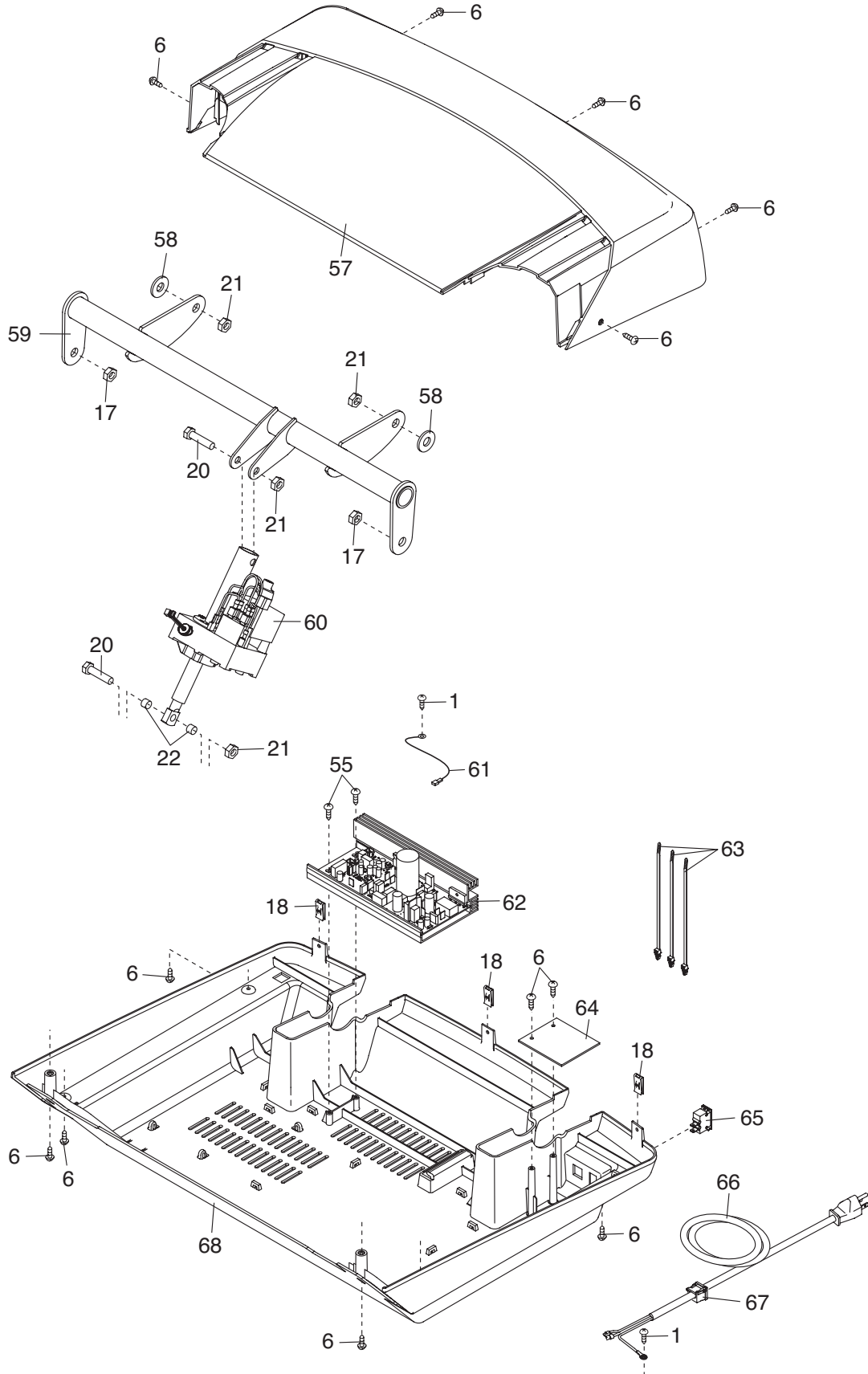


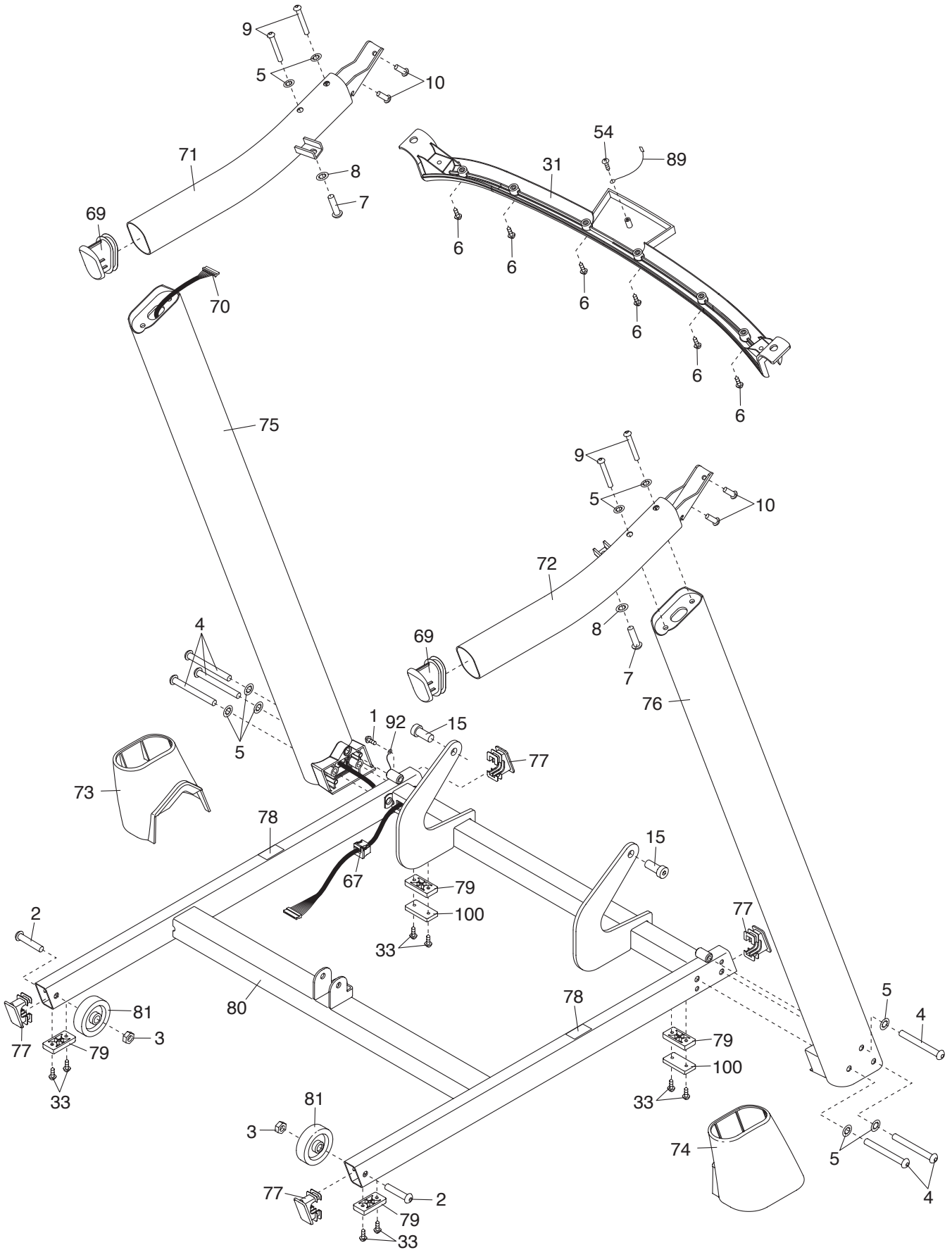
EXPLODED DRAWING B

Model No. 29836.1 R0811A



EXPLODED DRAWING C

Model No. 29836.1 R0811A



EXPLODED DRAWING D

Model No. 29836.1 R0811A

