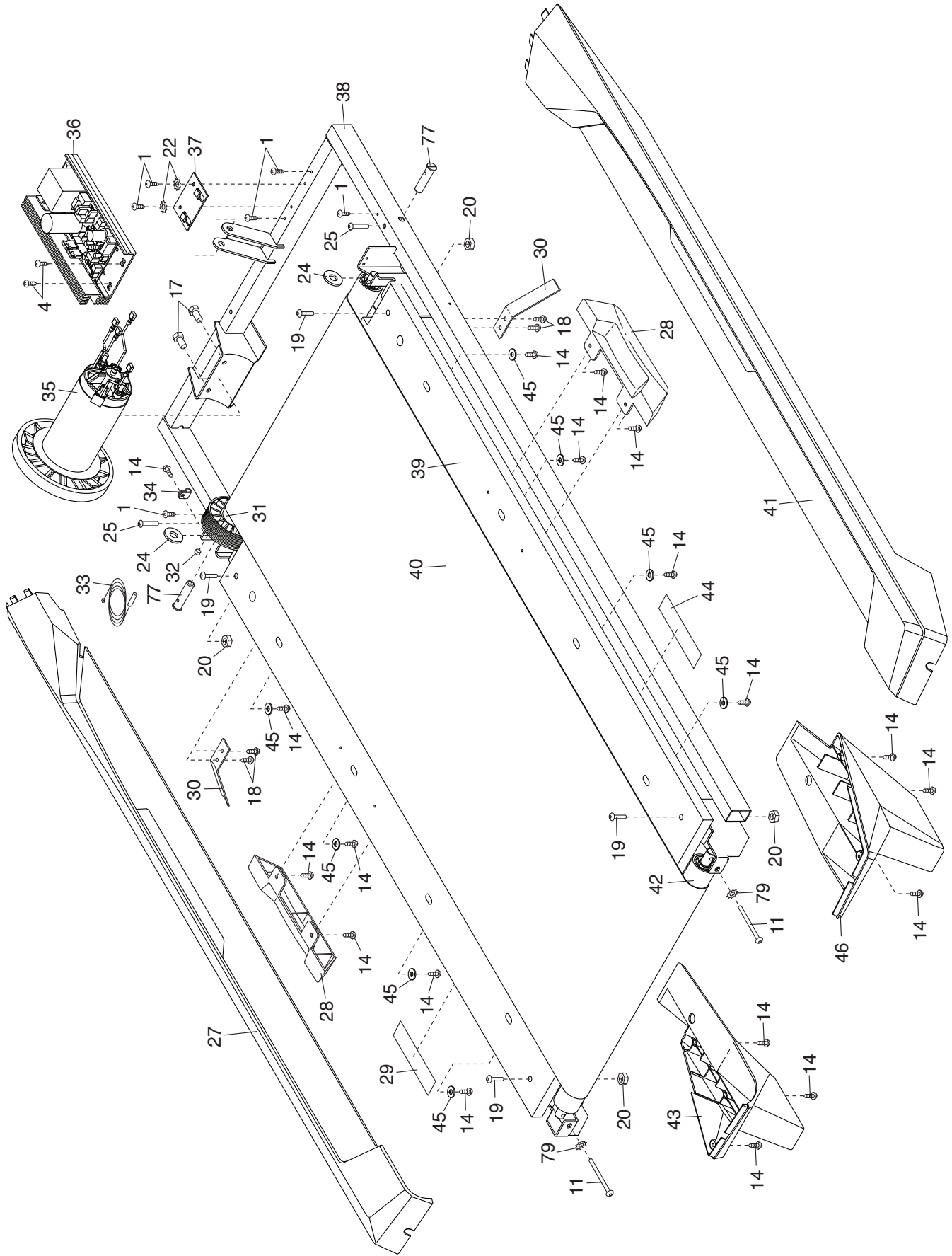


EXPLODED DRAWING A

Model No. 29844.0 R0912B



EXPLODED DRAWING B

Model No. 29844.0 R0912B

