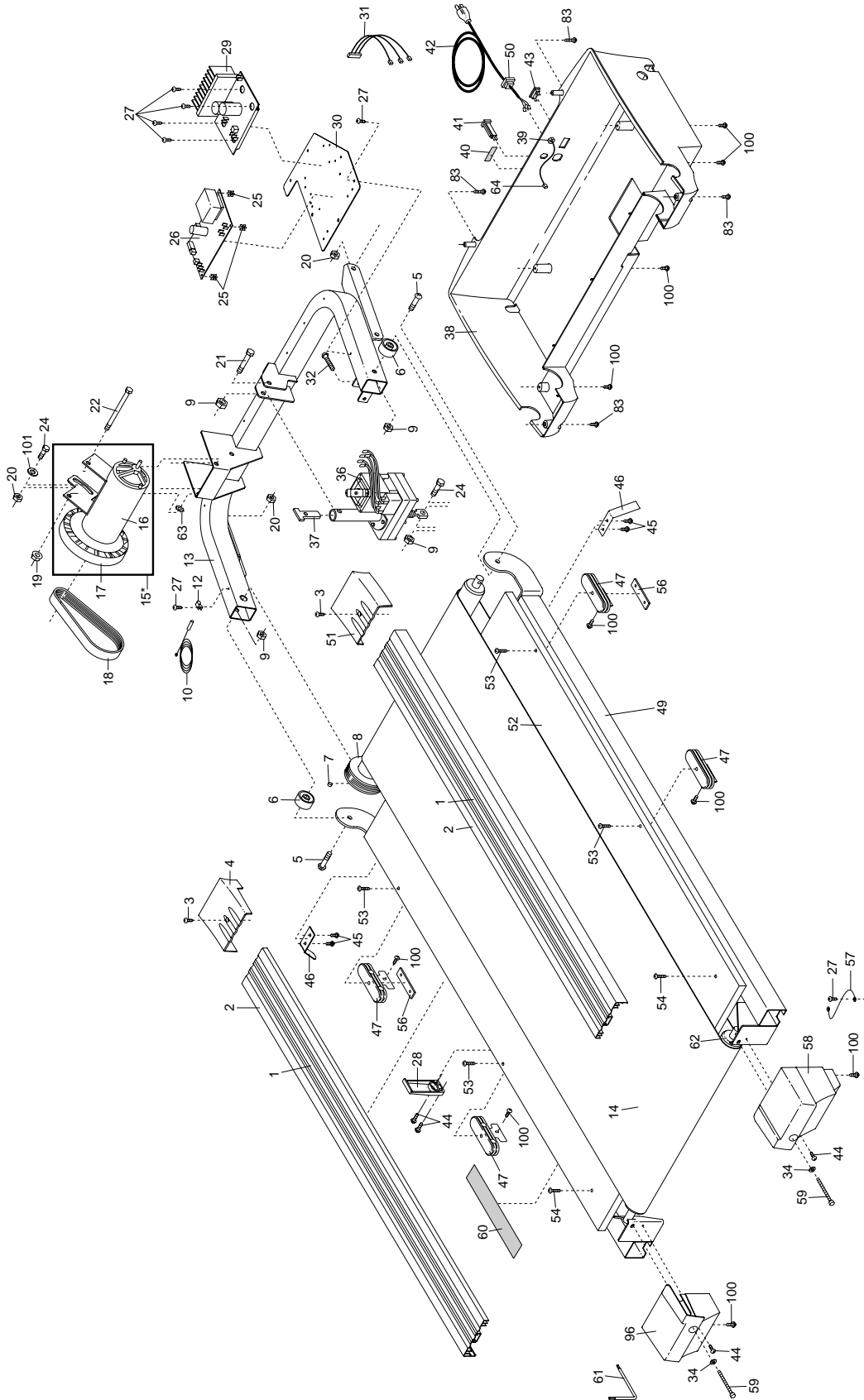


EXPLODED DRAWING—Model No. NTTL10610

R0402A



EXPLODED DRAWING—Model No. NTTL10610

R0402A

