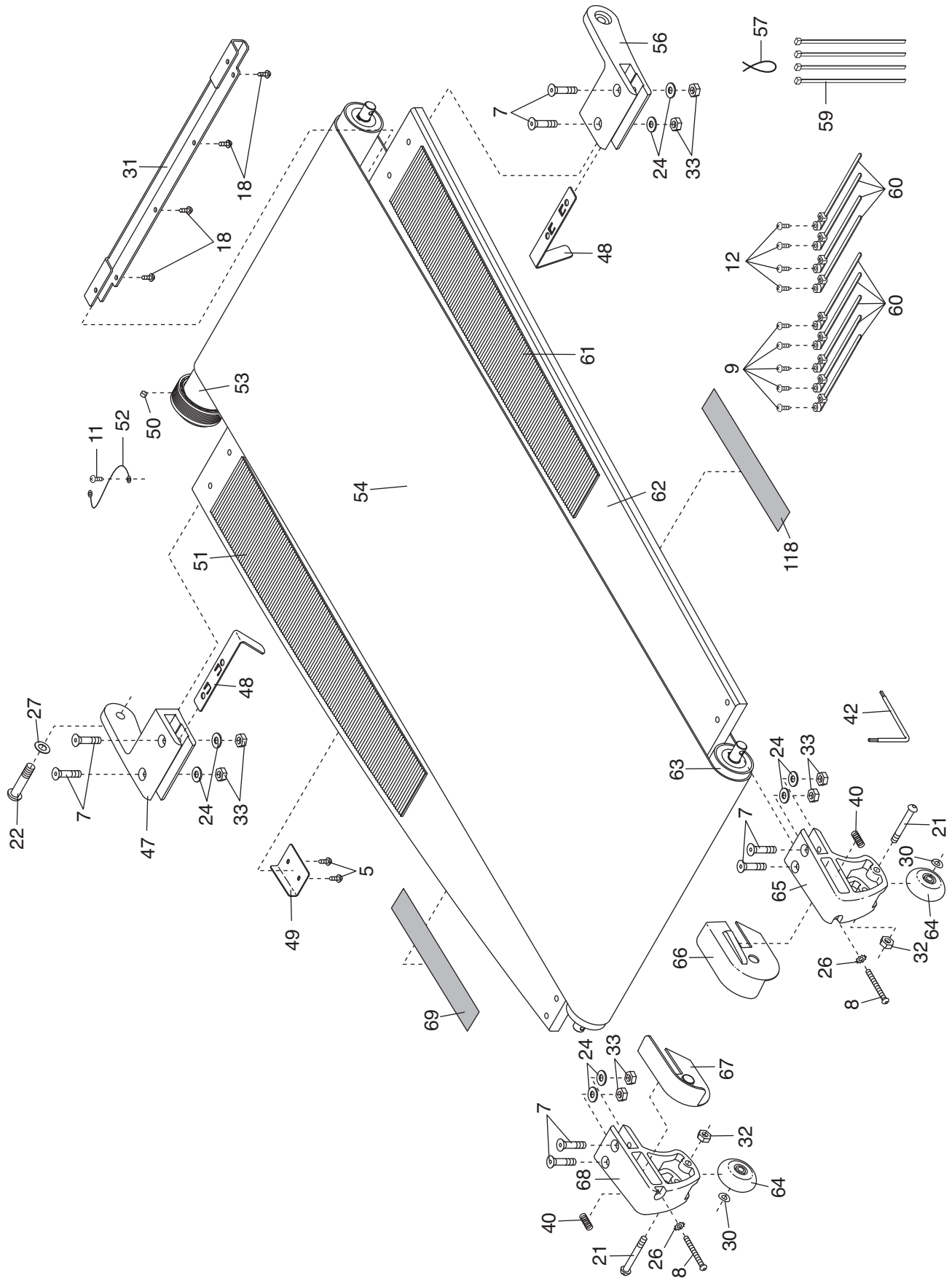


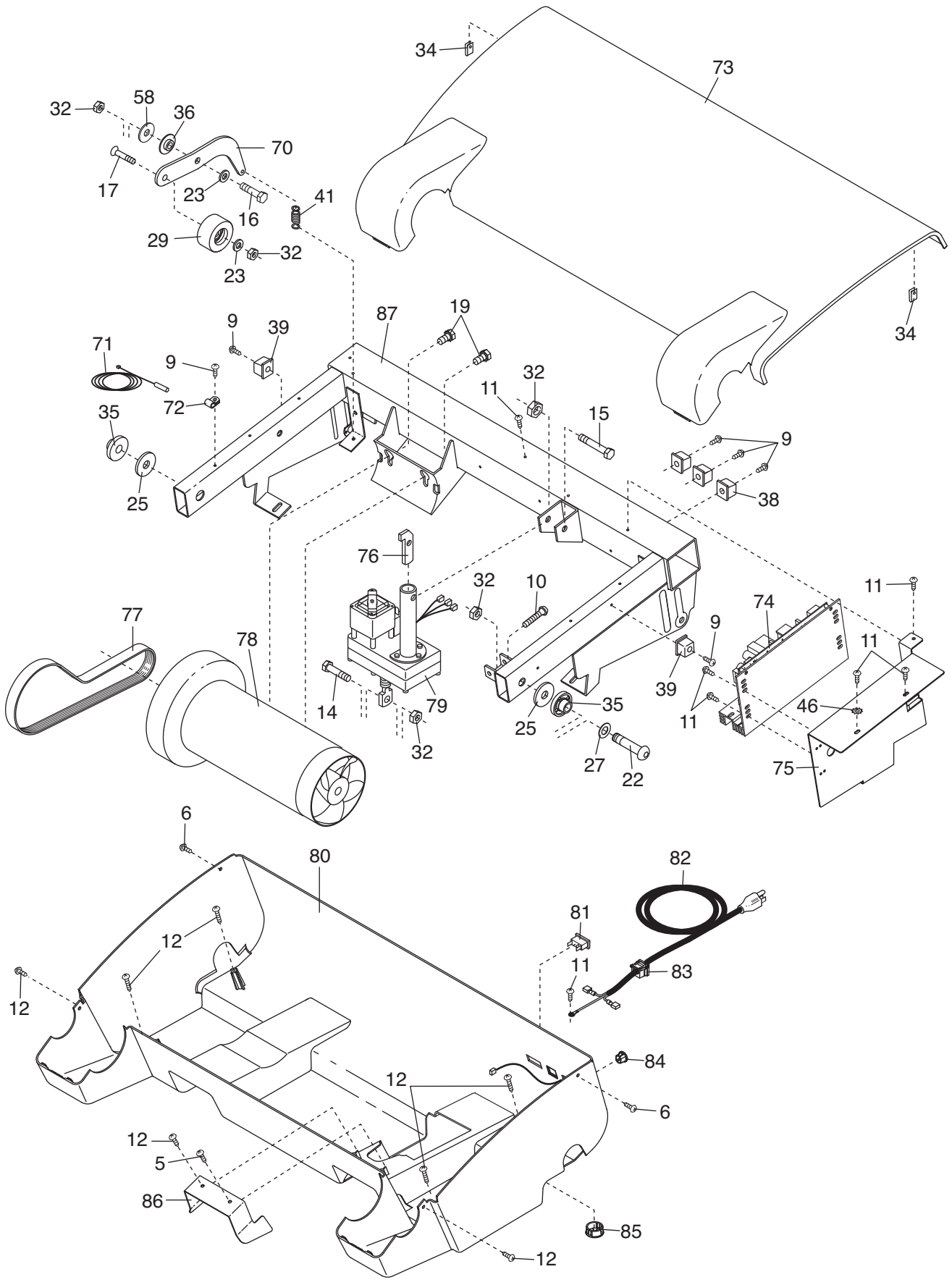
EXPLODED DRAWING A—Model No. 29993.0

R1110A



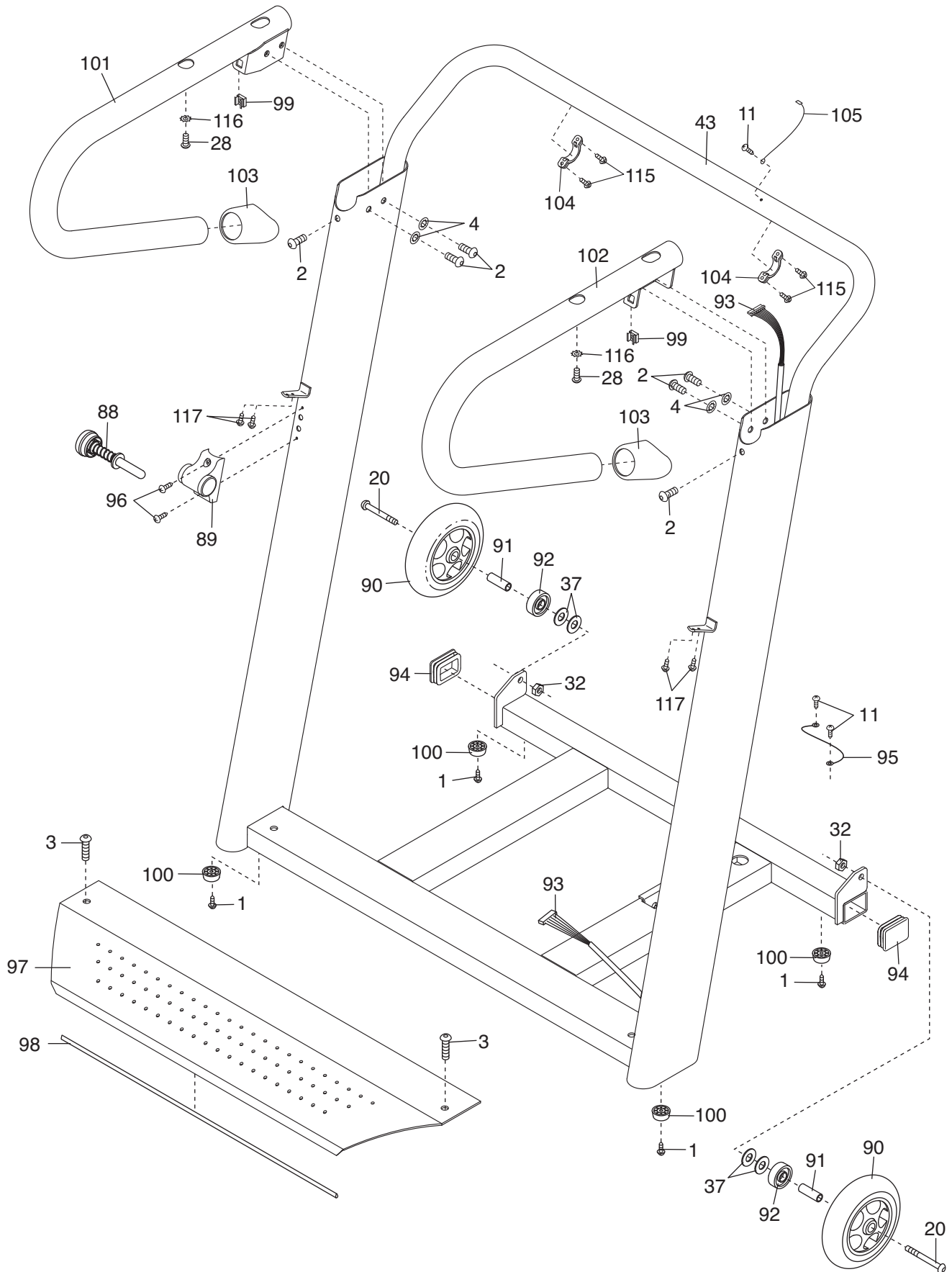
EXPLODED DRAWING B—Model No. 29993.0

R1110A



EXPLODED DRAWING C—Model No. 29993.0

R1110A



EXPLODED DRAWING D—Model No. 29993.0

R1110A

