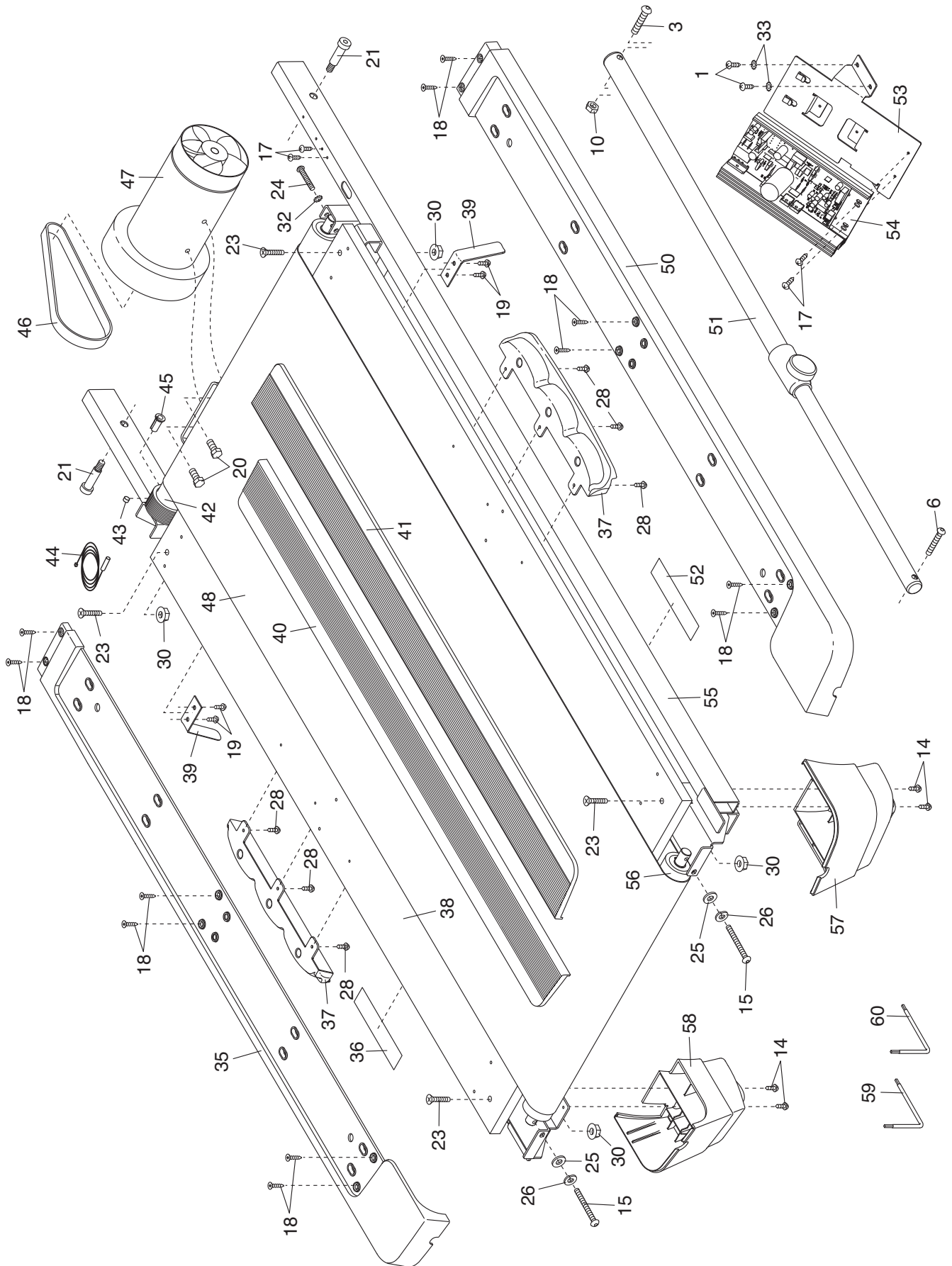


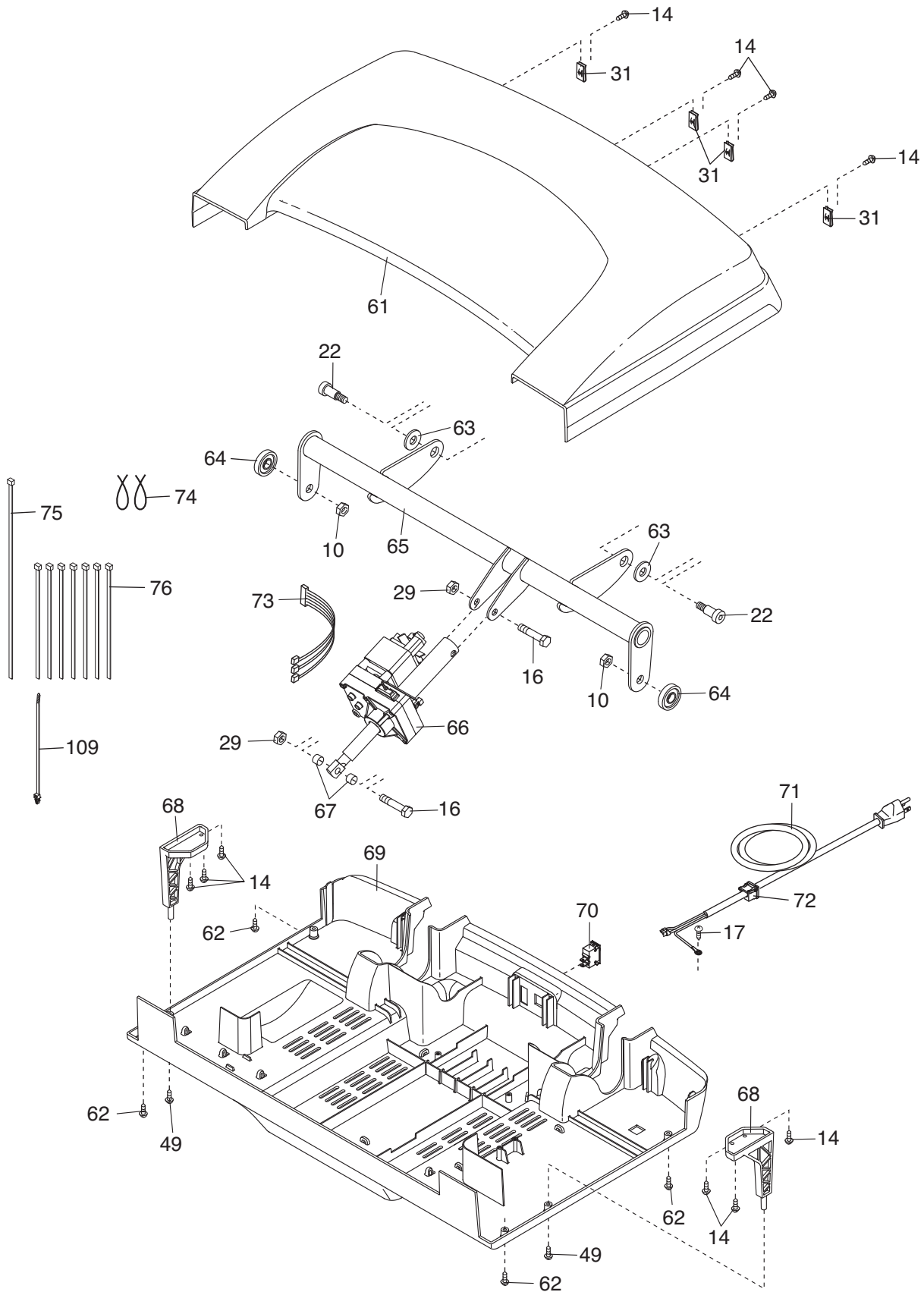
EXPLODED DRAWING A—Model No. 30362.2

R0610A



EXPLODED DRAWING B—Model No. 30362.2

R0610A



EXPLODED DRAWING D—Model No. 30362.2

R0610A

