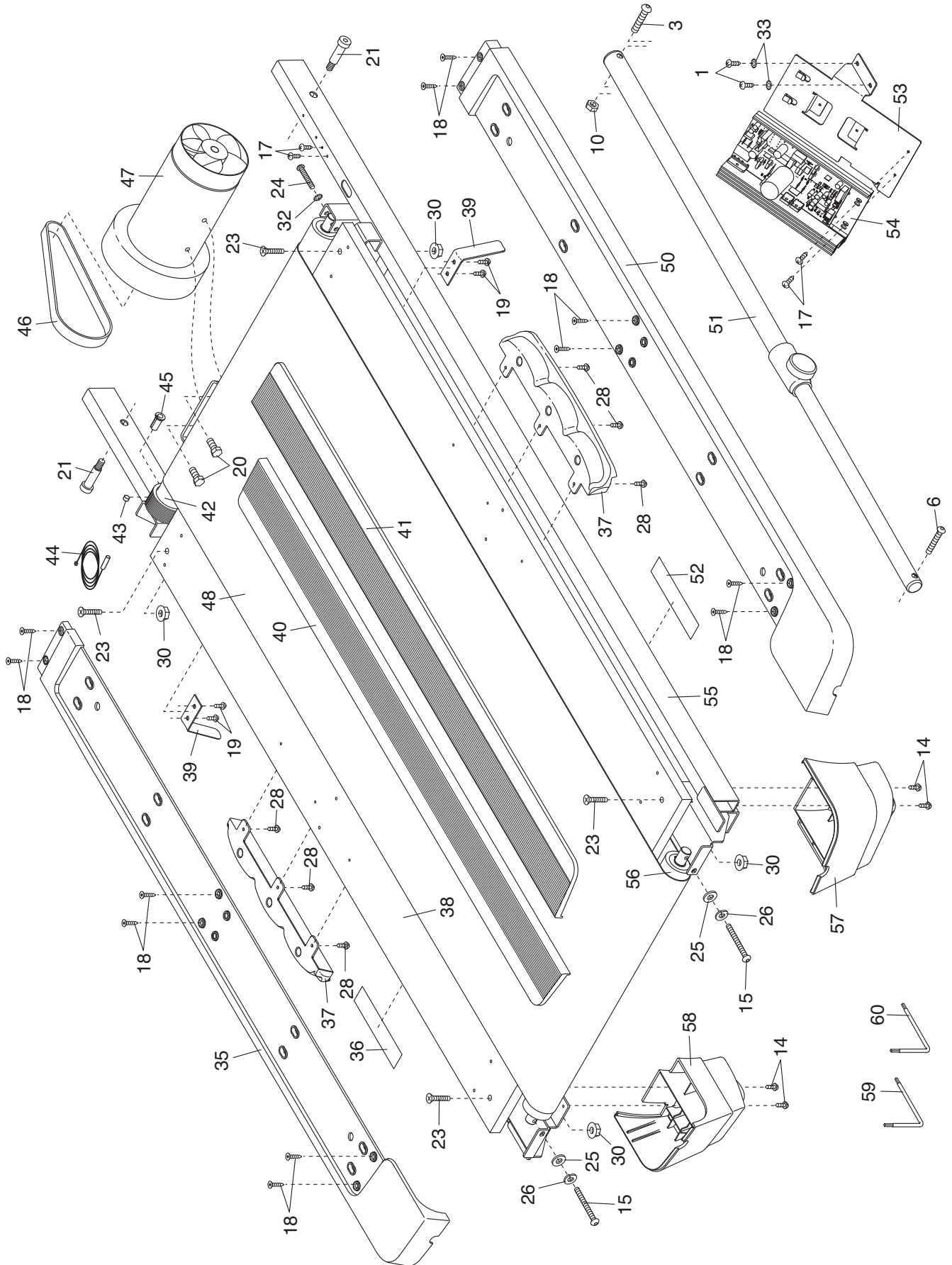


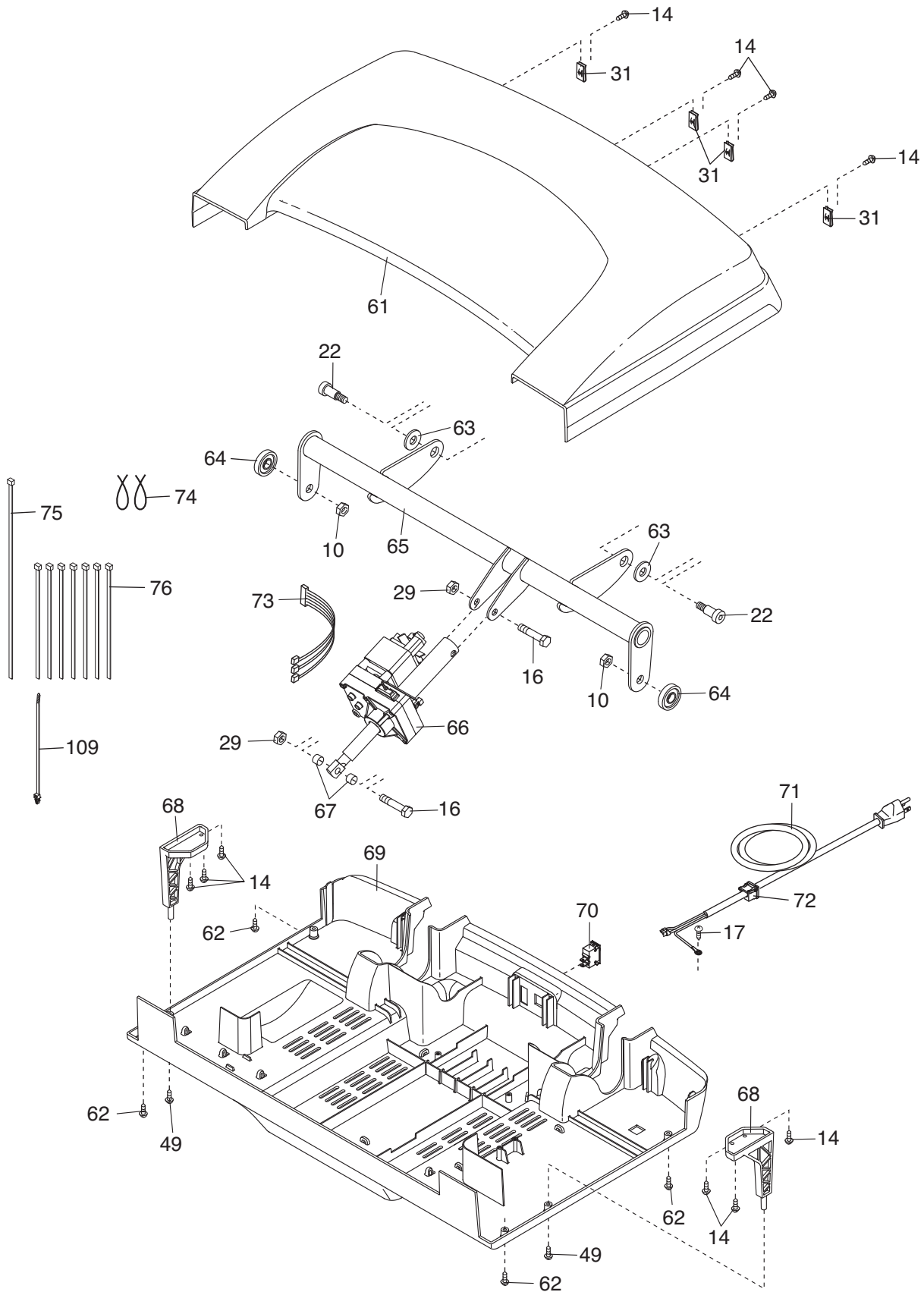
# EXPLODED DRAWING A—Model No. 30362.1

R0410A



# EXPLODED DRAWING B—Model No. 30362.1

R0410A





# EXPLODED DRAWING D—Model No. 30362.1

R0410A

