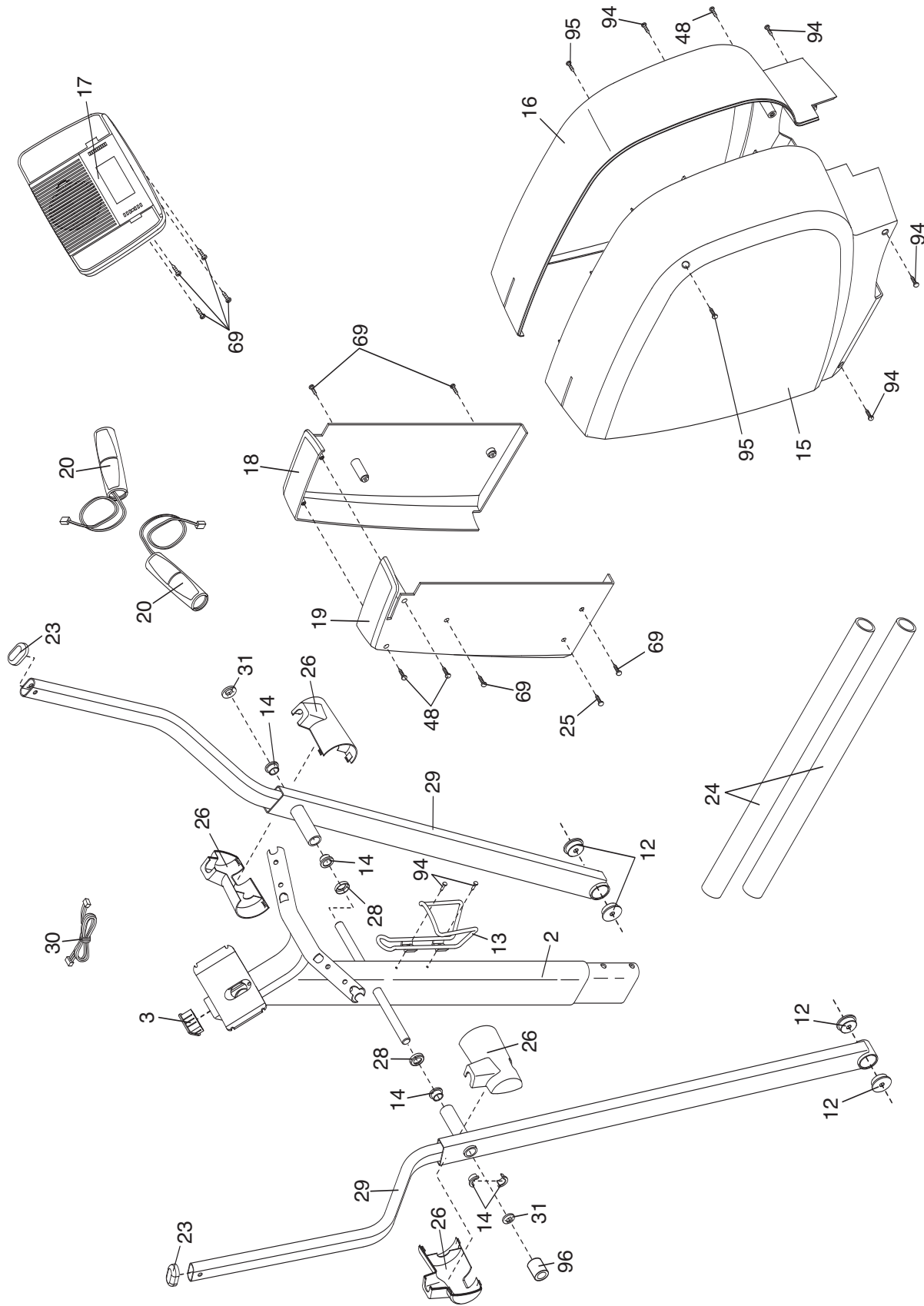


EXPLODED DRAWING A—Model No. 30621.0

R0606A



EXPLODED DRAWING B—Model No. 30621.0

R0606A

