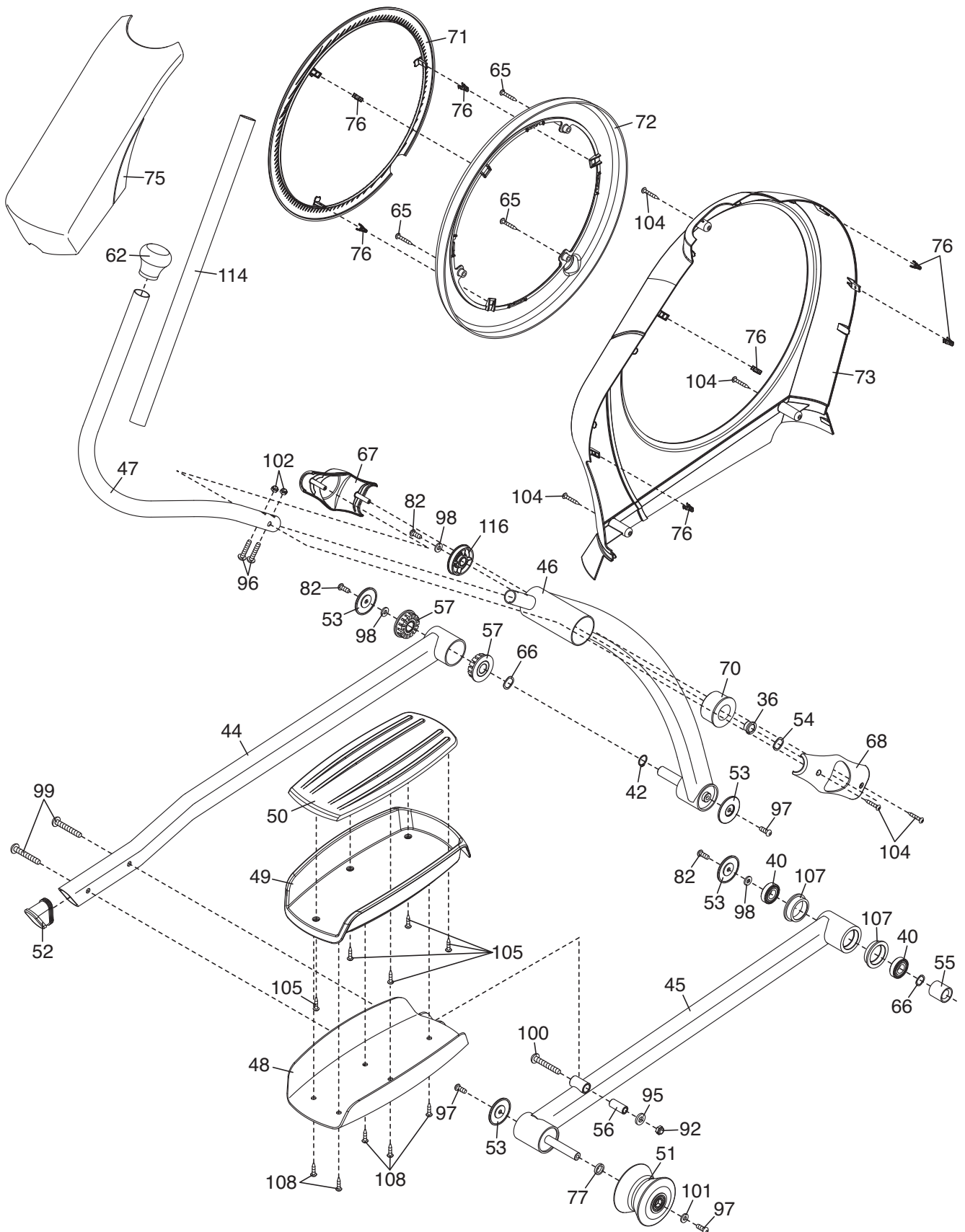


# EXPLODED DRAWING B

Model No. 30669.3 R1110A



# EXPLODED DRAWING C

Model No. 30669.3 R1110A

