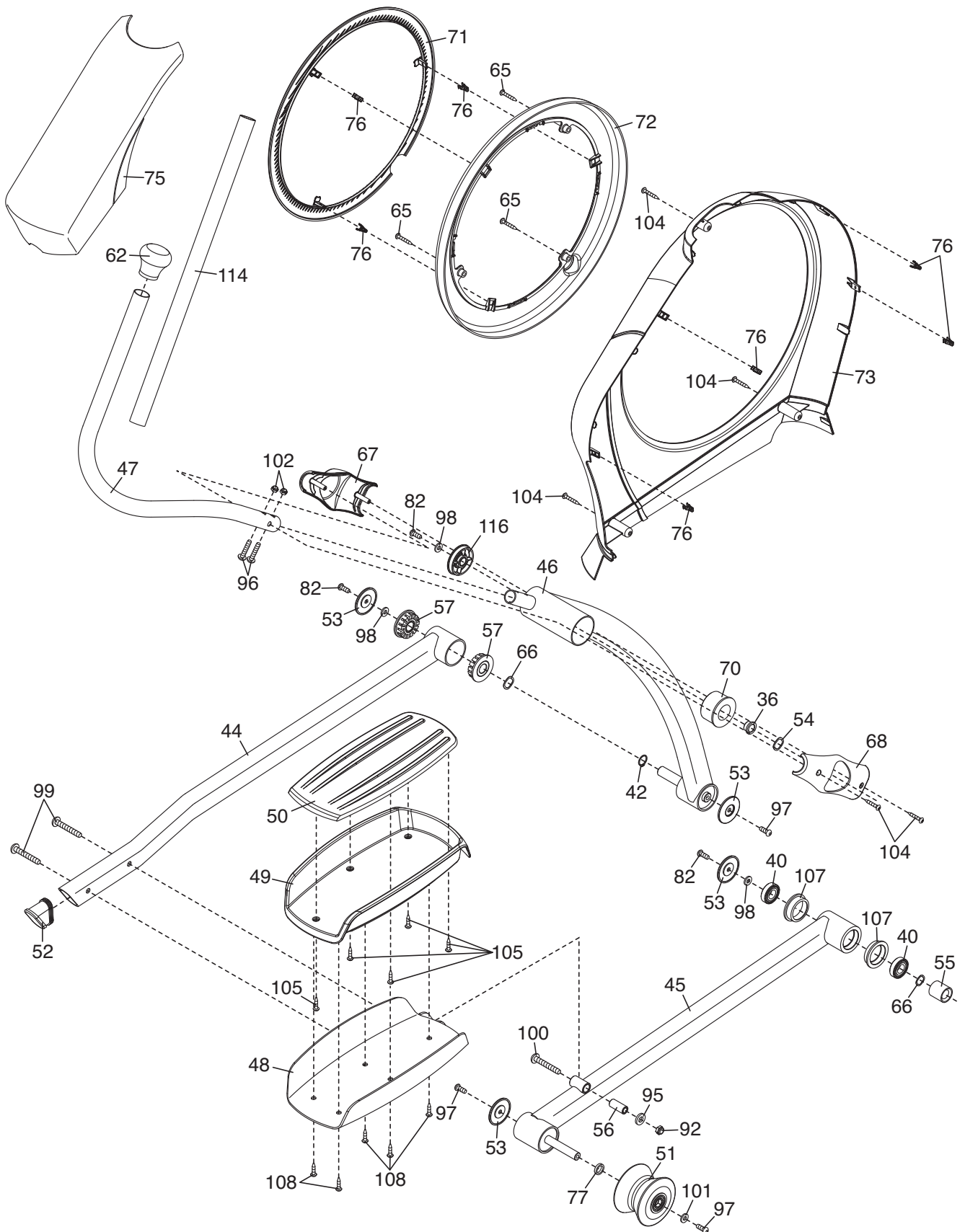


EXPLODED DRAWING B

Model No. 30669.4 R1210A



EXPLODED DRAWING C

Model No. 30669.4 R1210A

