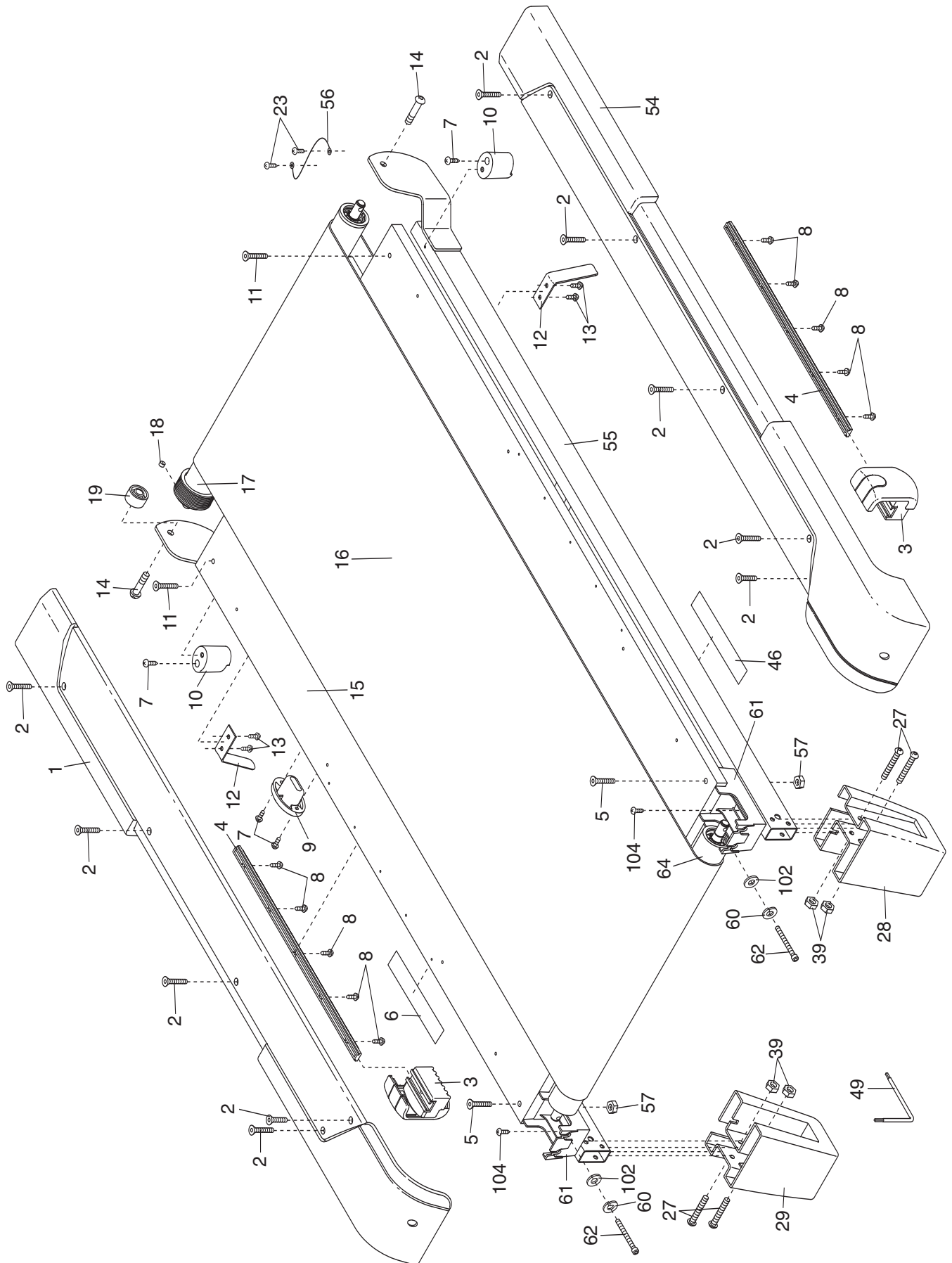


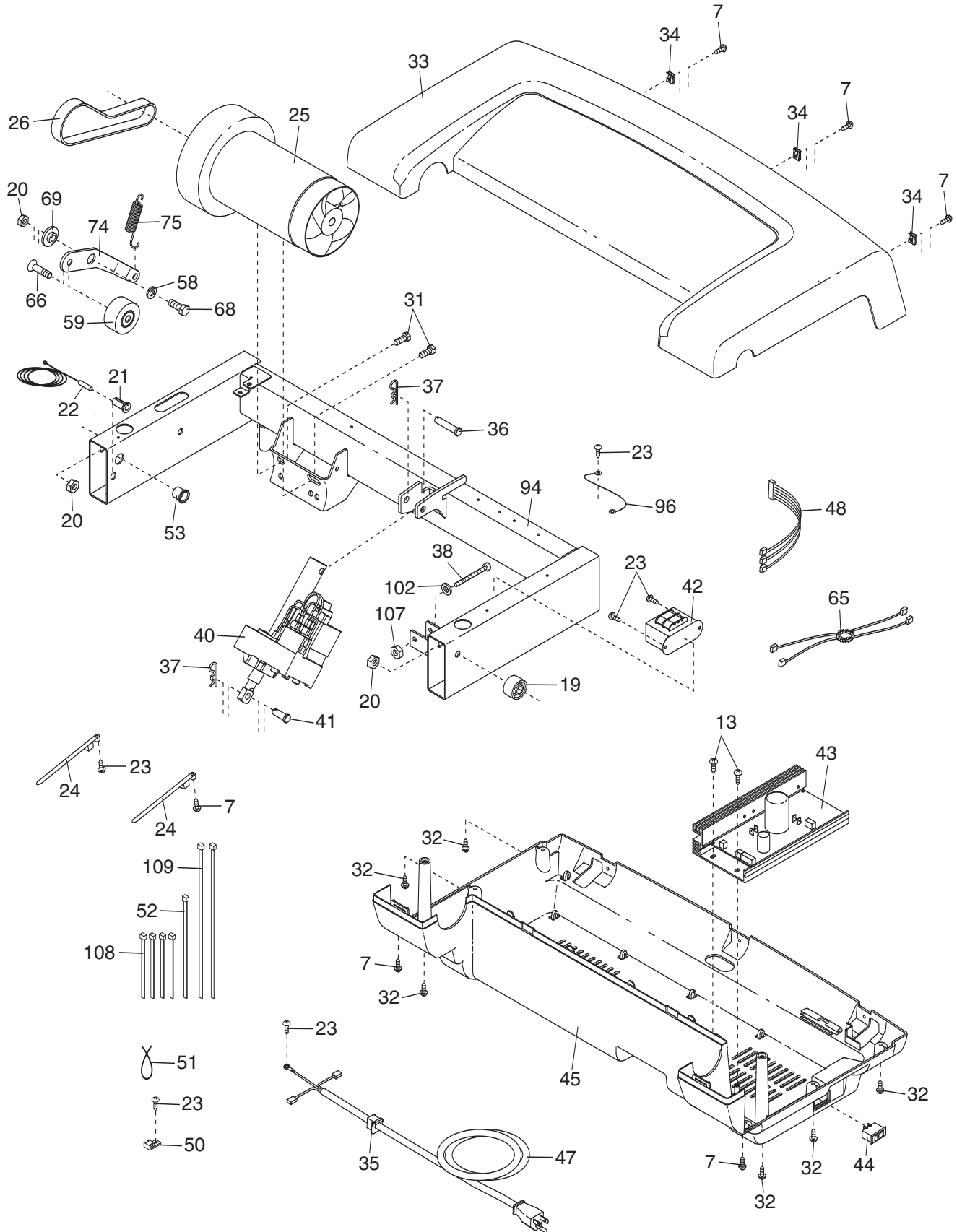
# EXPLODED DRAWING A—Model No. 30702.0

R0807A



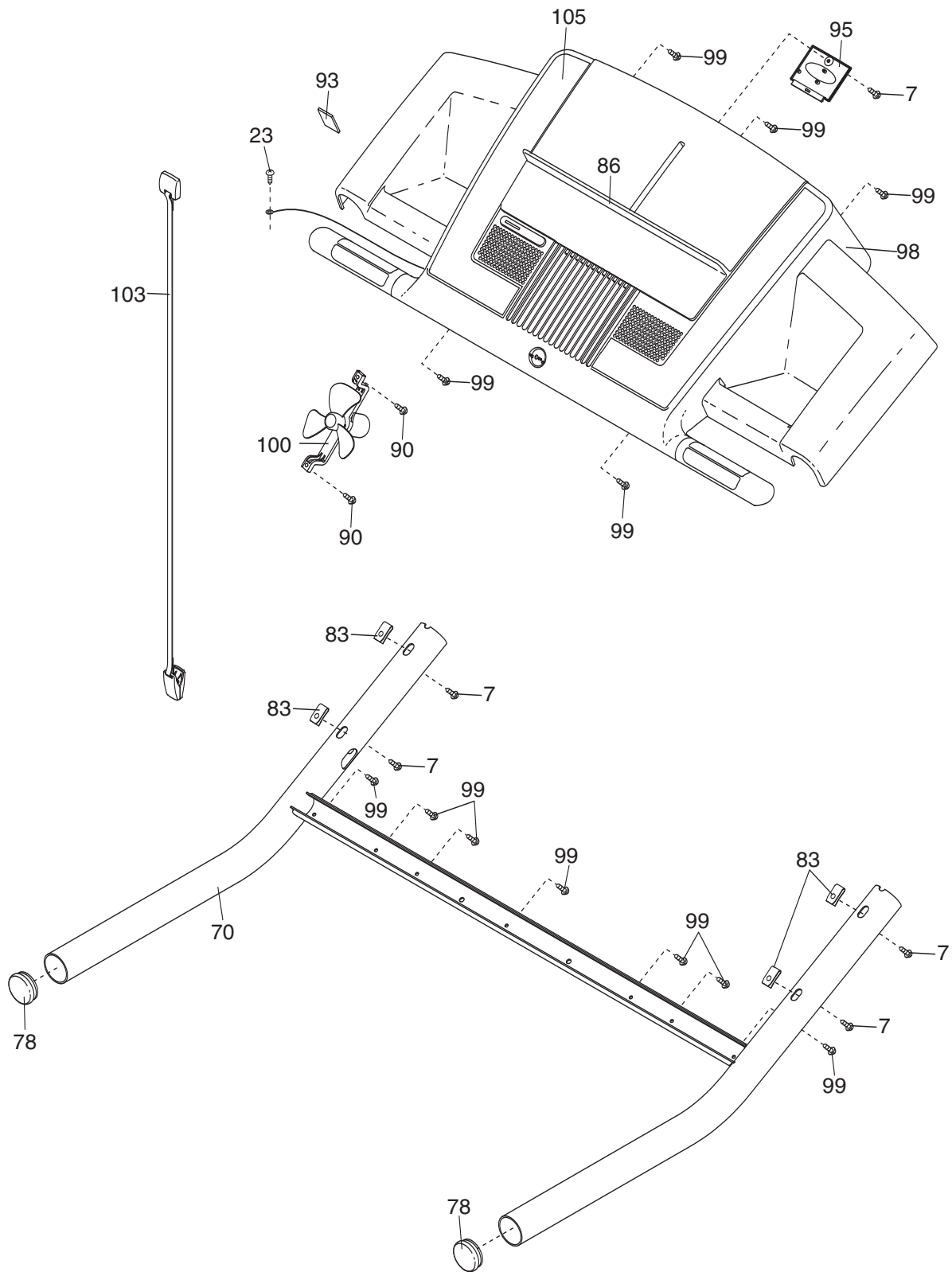
# EXPLODED DRAWING B—Model No. 30702.0

R0807A



# EXPLODED DRAWING C—Model No. 30702.0

R0807A



# EXPLODED DRAWING D—Model No. 30702.0

R0807A

