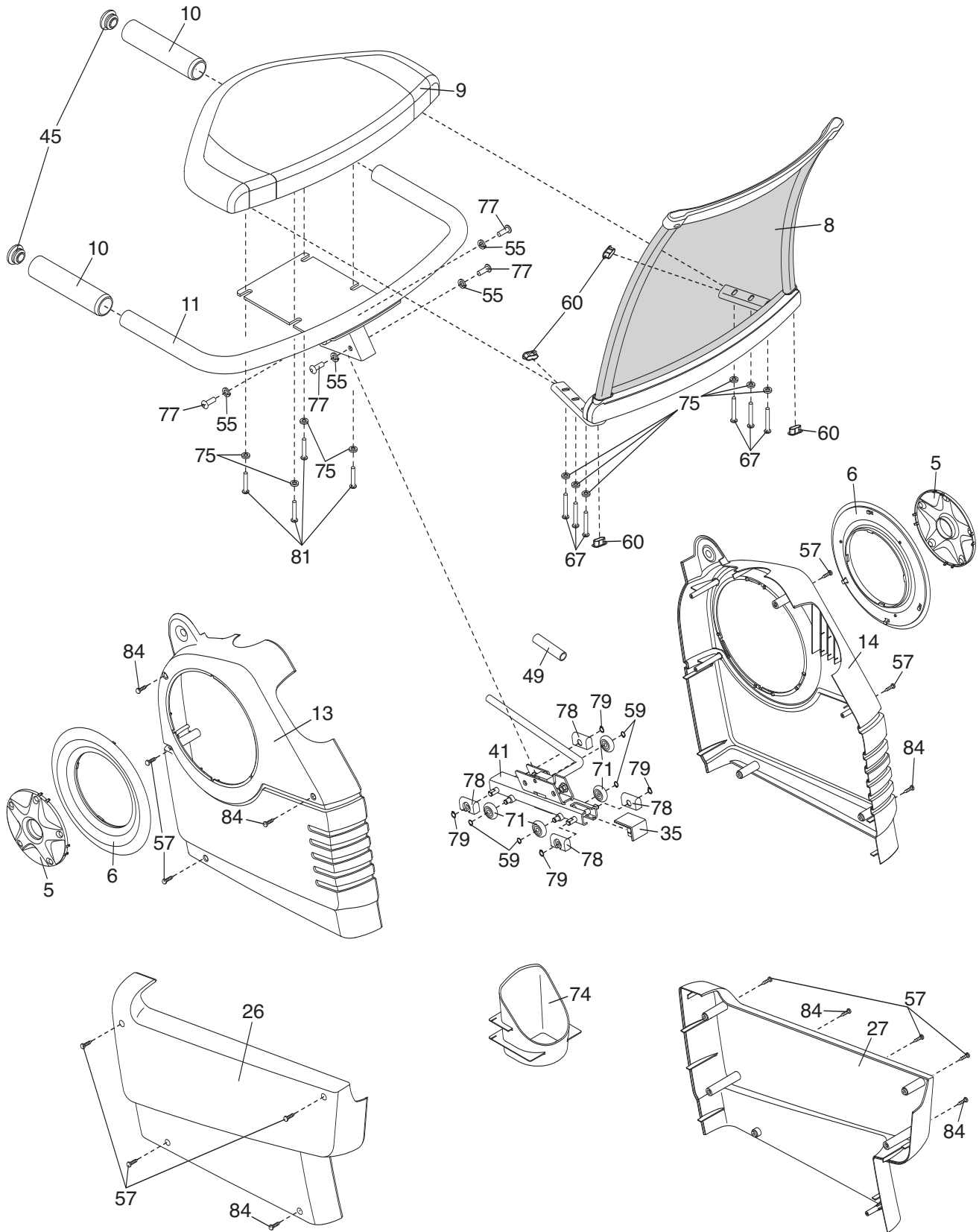


# EXPLODED DRAWING A—Model No. 30707.1

R0308A



# EXPLODED DRAWING B—Model No. 30707.1

R0308A

