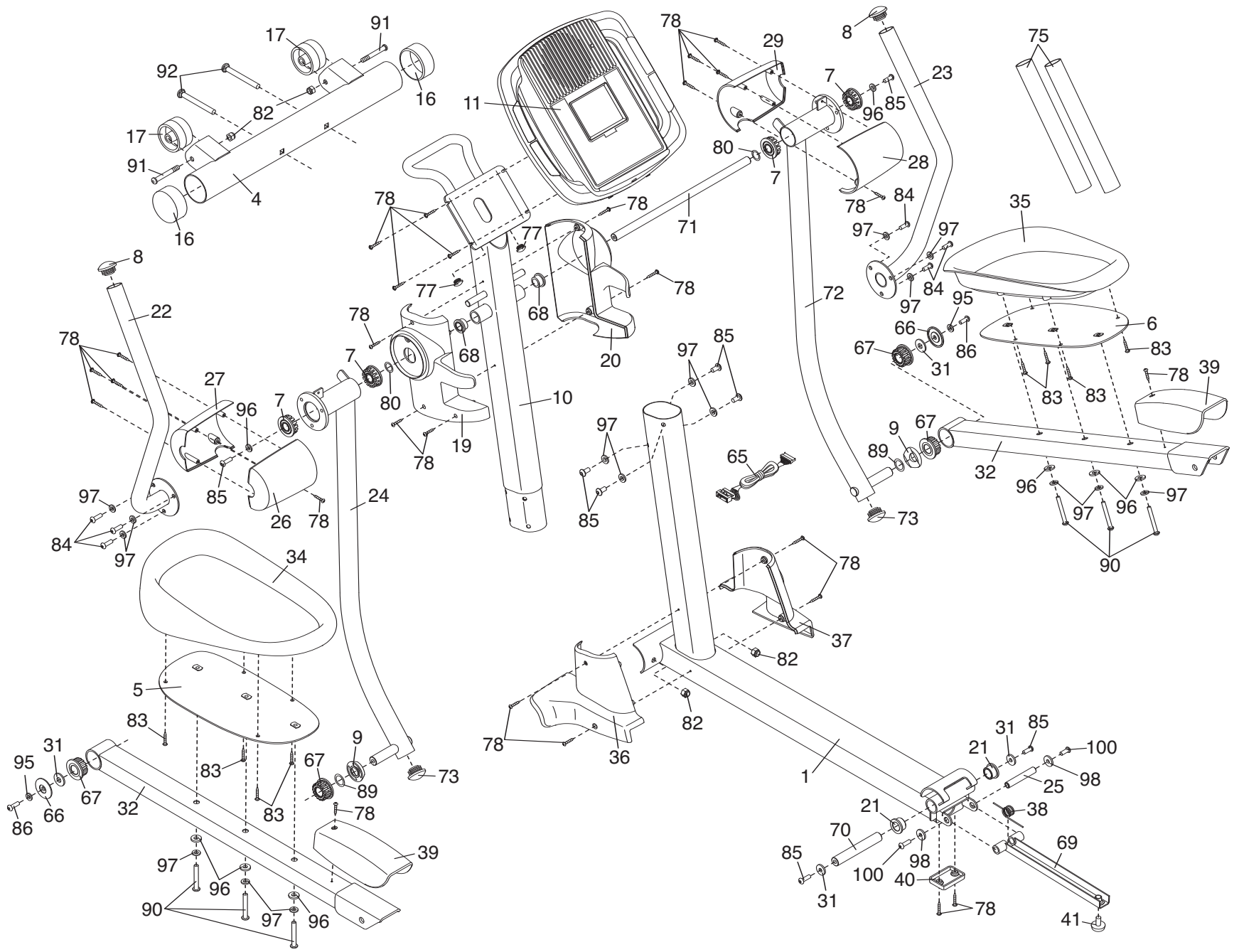


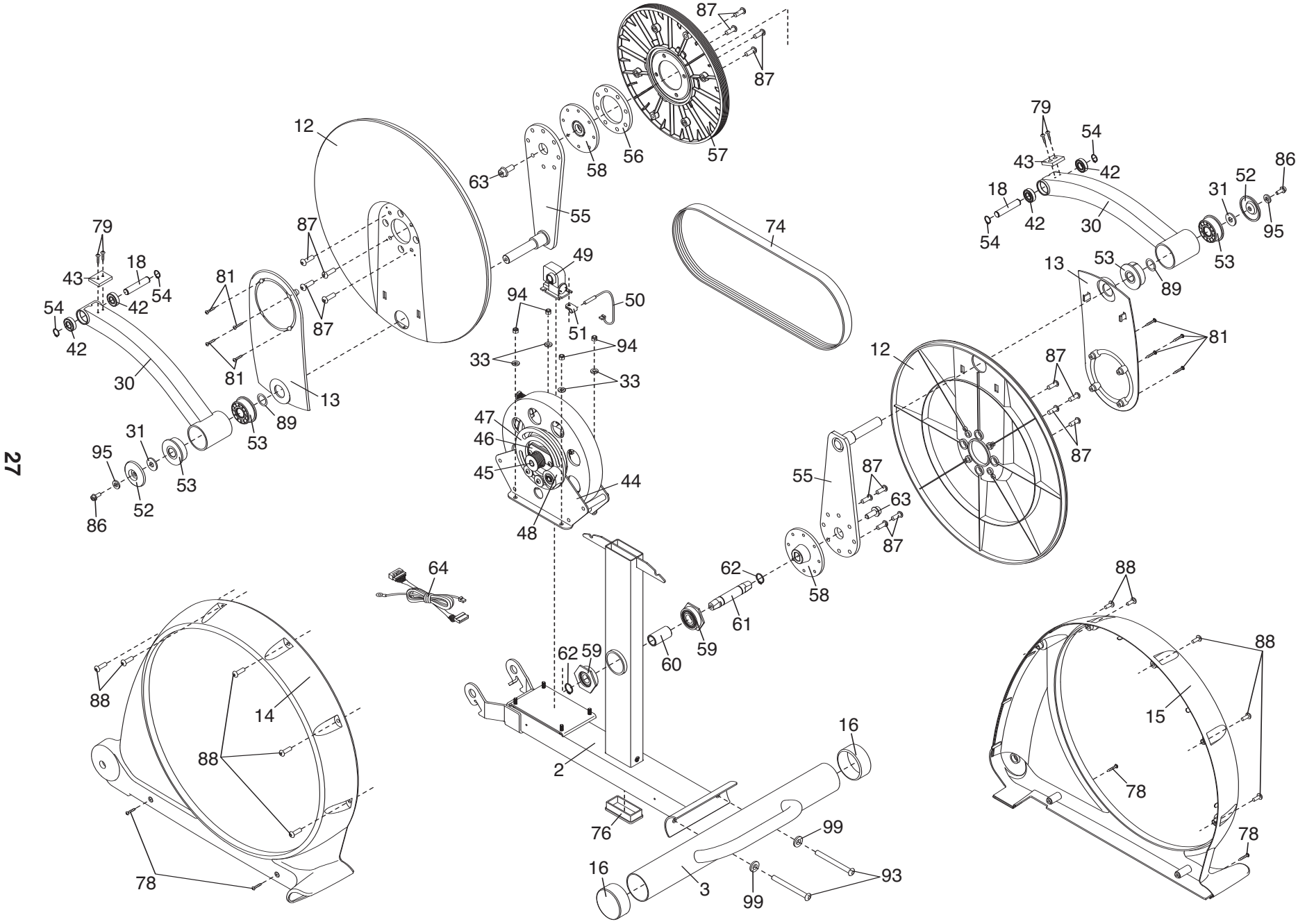
EXPLODED DRAWING A—Model No. 30710.0

R0607A



EXPLODED DRAWING B—Model No. 30710.0

R0607A



27