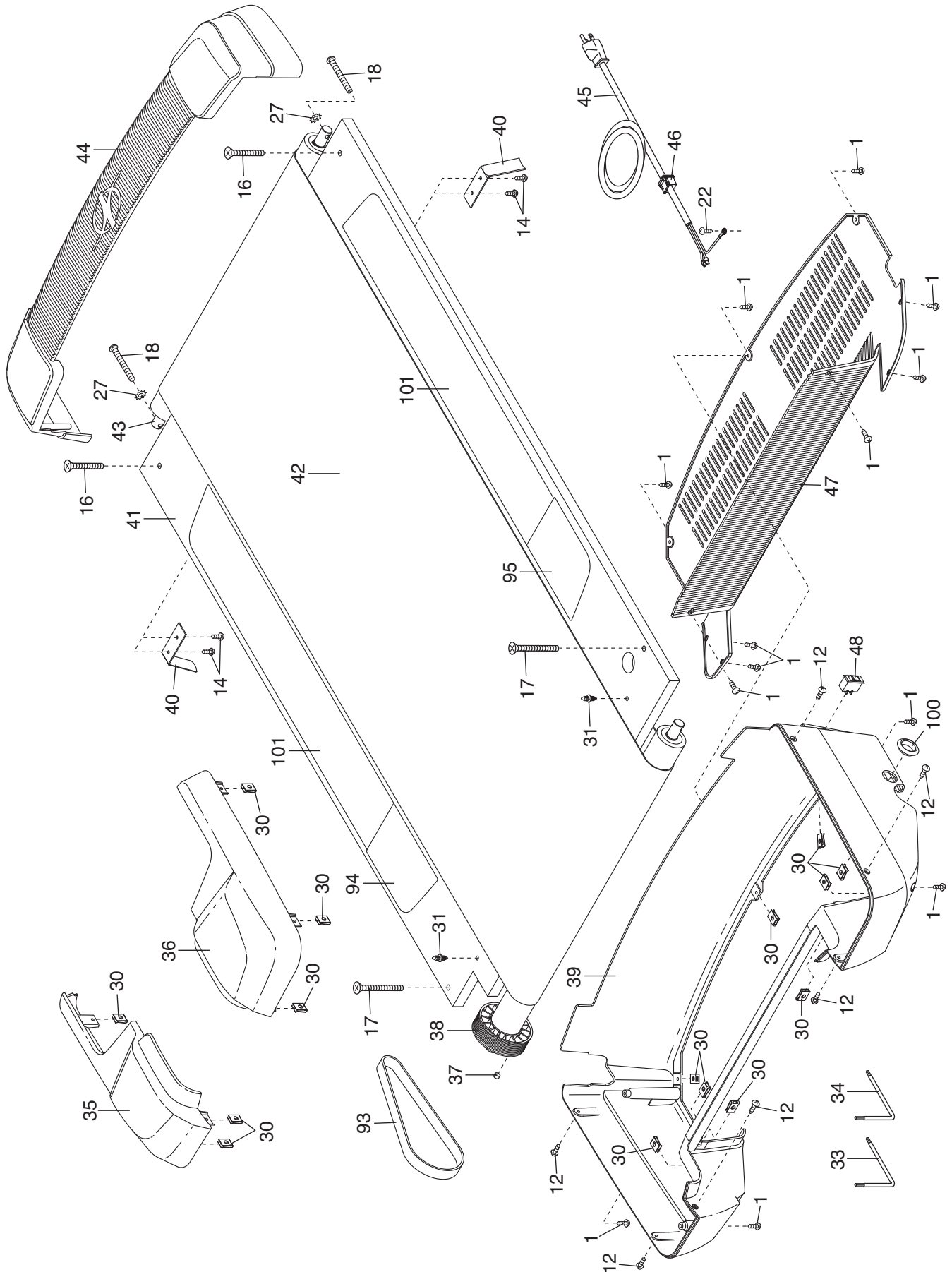


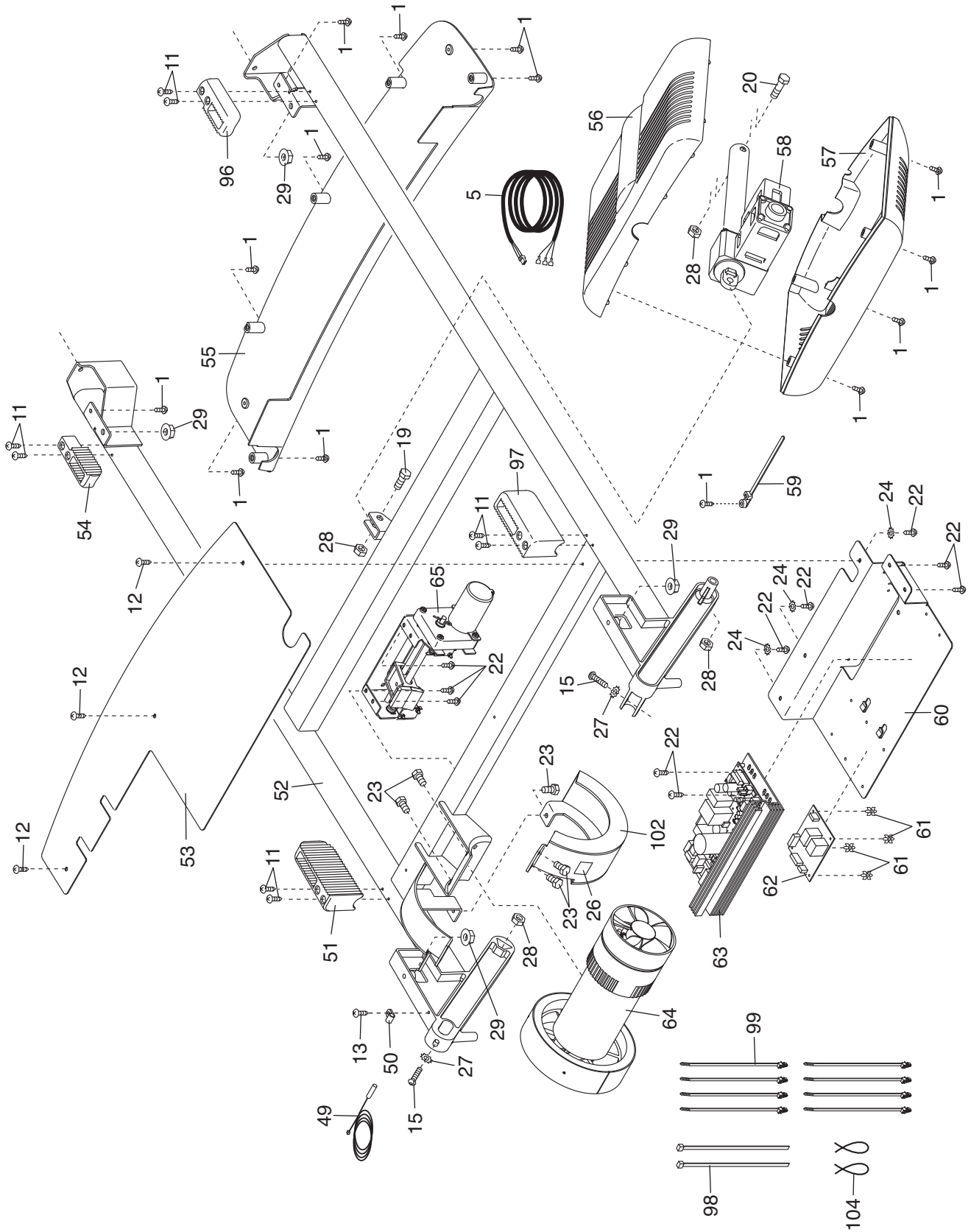
# EXPLODED DRAWING A—Model No. 30874.0

R0809A



# EXPLODED DRAWING B—Model No. 30874.0

R0809A



# EXPLODED DRAWING C—Model No. 30874.0

R0809A

