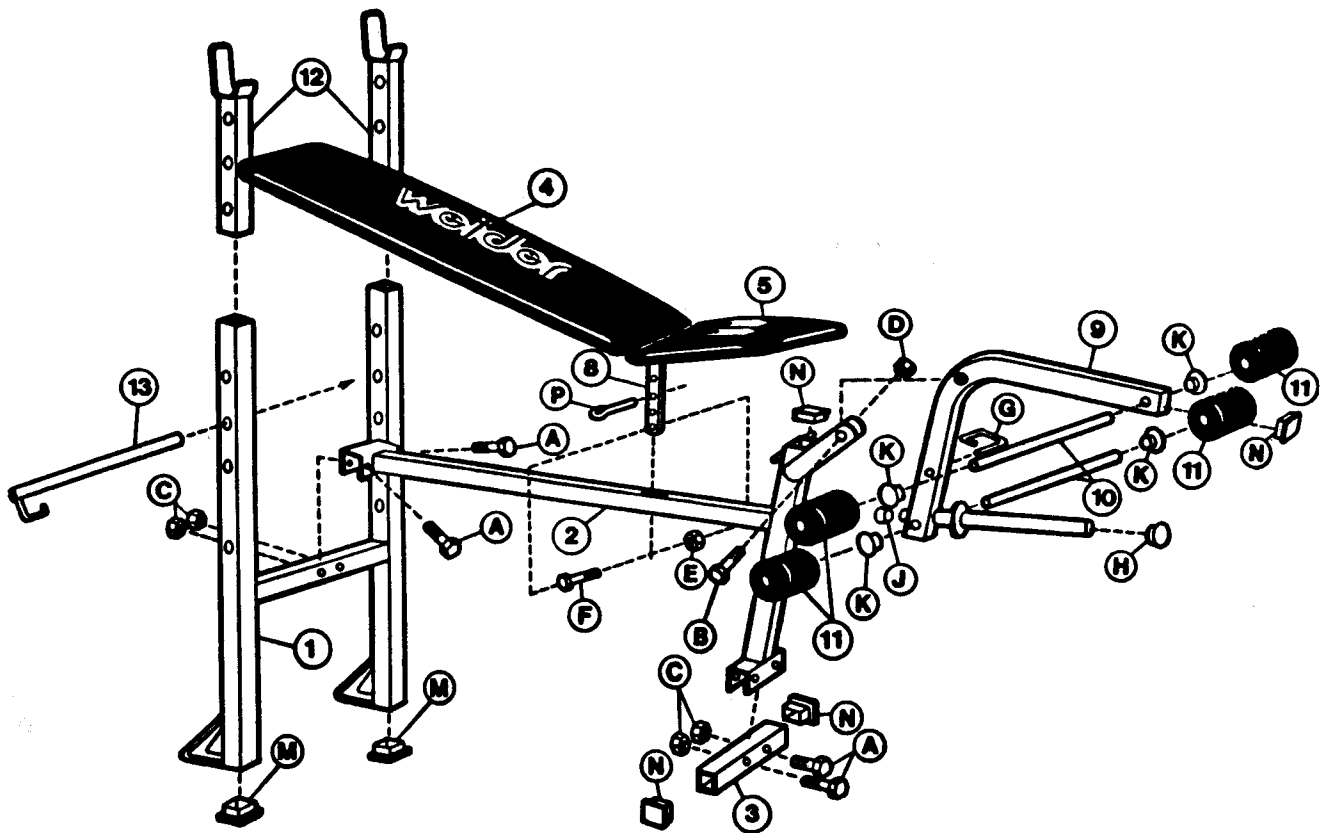


# TABLE OF CONTENTS

	PAGE
DIAGRAM	1
PARTS LIST	2
REPAIR PARTS AND SERVICE	2
STEP1 FRAME ASSEMBLY	3
STEP2 BACKREST & SEAT PREPARATION	3
STEP3 CONNECTING SEAT TO MAIN FRAME	4
STEP4 REPL. OF SHORT ANGLE IRON	4
STEP5 LEG CURL ASSEMBLY	5
STEP6 ADJ UPRIGHTS & LOCKING PIN	5



## WARNING

### CONSULT YOUR PHYSICIAN

CONSULT YOUR PHYSICIAN BEFORE STARTING YOUR EXERCISE PROGRAM. IT IS ADVISABLE TO HAVE A PHYSICAL EXAMINATION BY YOUR PHYSICIAN BEFORE YOU ENTER ANY EXERCISE PROGRAM.

FOR YOUR OWN SAFETY, DO NOT BEGIN ANY EXERCISE WITHOUT PROPER INSTRUCTION. CHILDREN AND HANDICAPPED PERSONS SHOULD NOT USE ANY EXERCISE EQUIPMENT WITHOUT A QUALIFIED PERSON IN ATTENDANCE.

### TRAIN WITH A PARTNER

IT IS RECOMMENDED THAT AN INDIVIDUAL SHOULD NOT WORKOUT WITHOUT A TRAINING PARTNER IN ATTENDANCE. SET UP YOUR PROGRAM TO ACCOMMODATE TWO PEOPLE AND YOU WILL BE HIGHLY MOTIVATED.