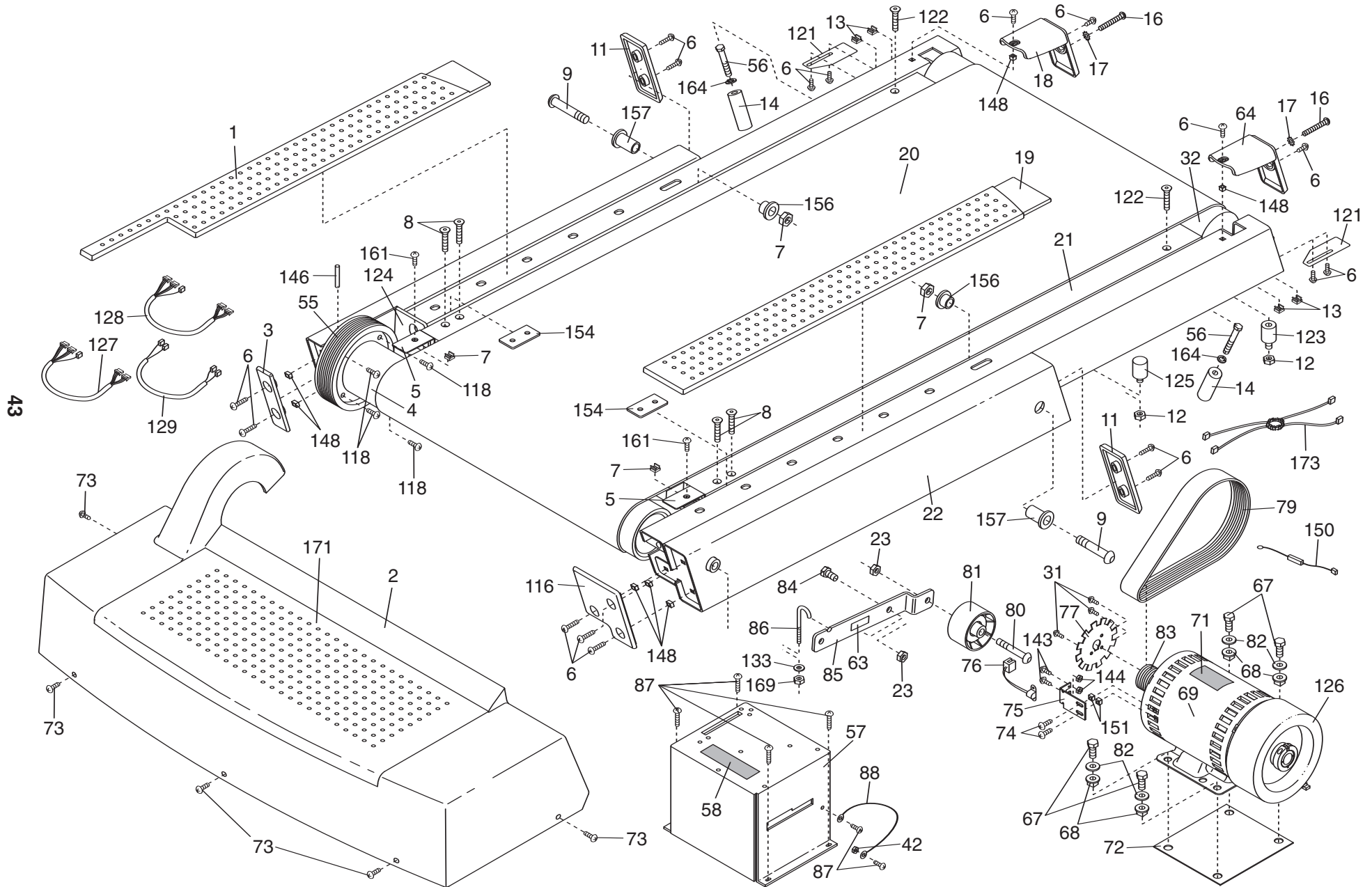
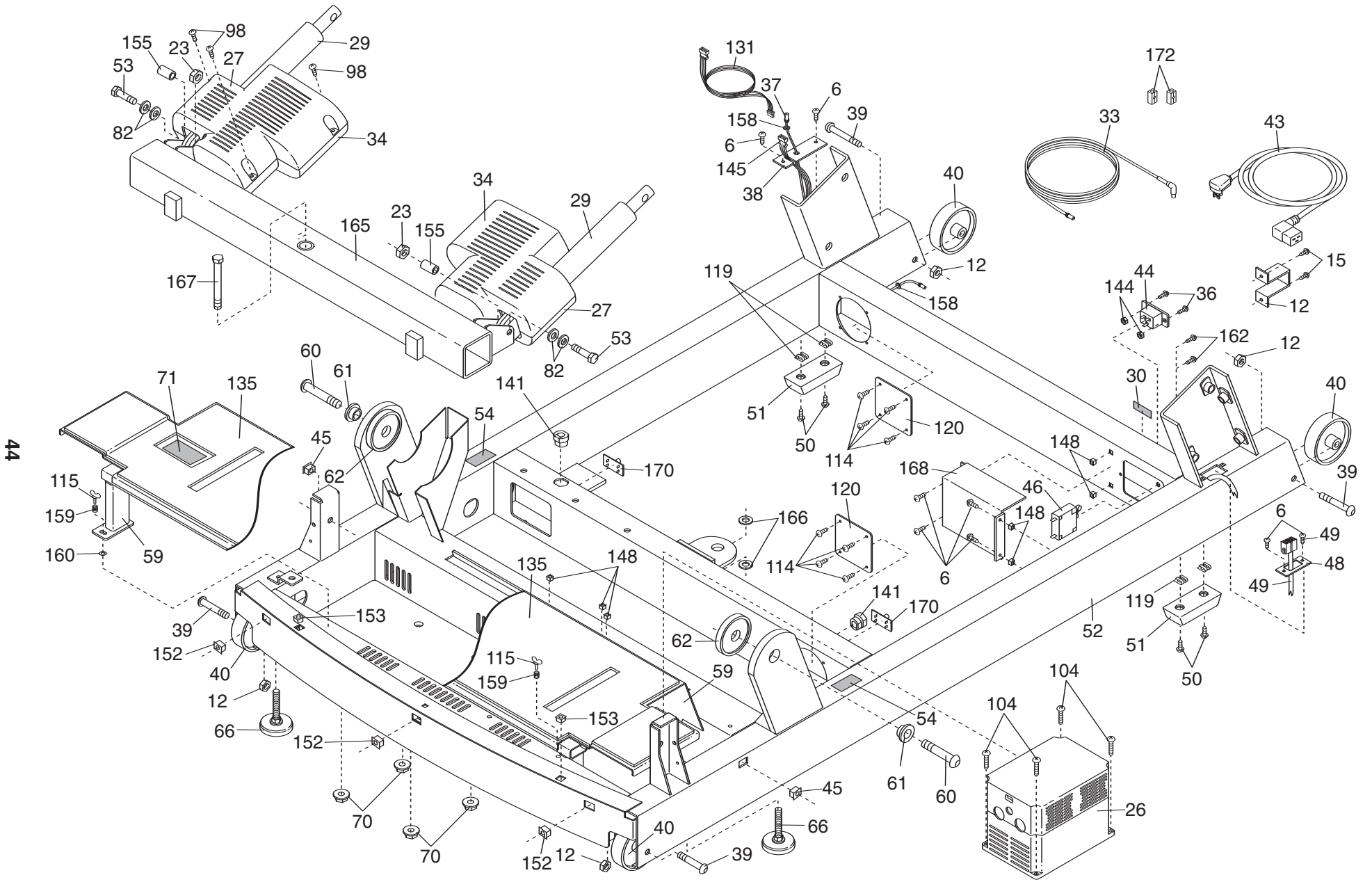


# EXPLODED DRAWING—MODEL NOS. CTK62523/CTK65023

R0105A

Part 1 of 3





Part 3 of 3

