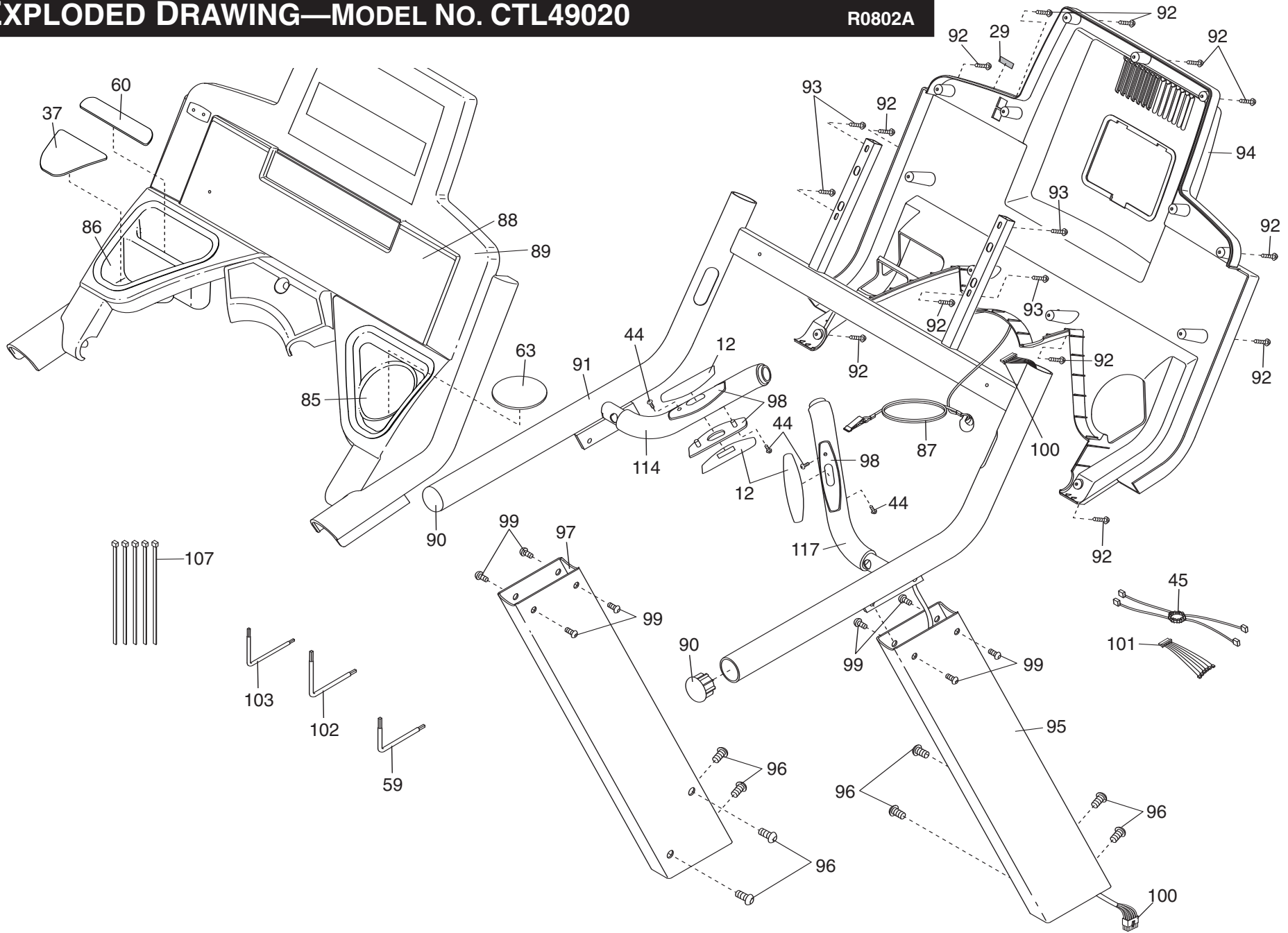
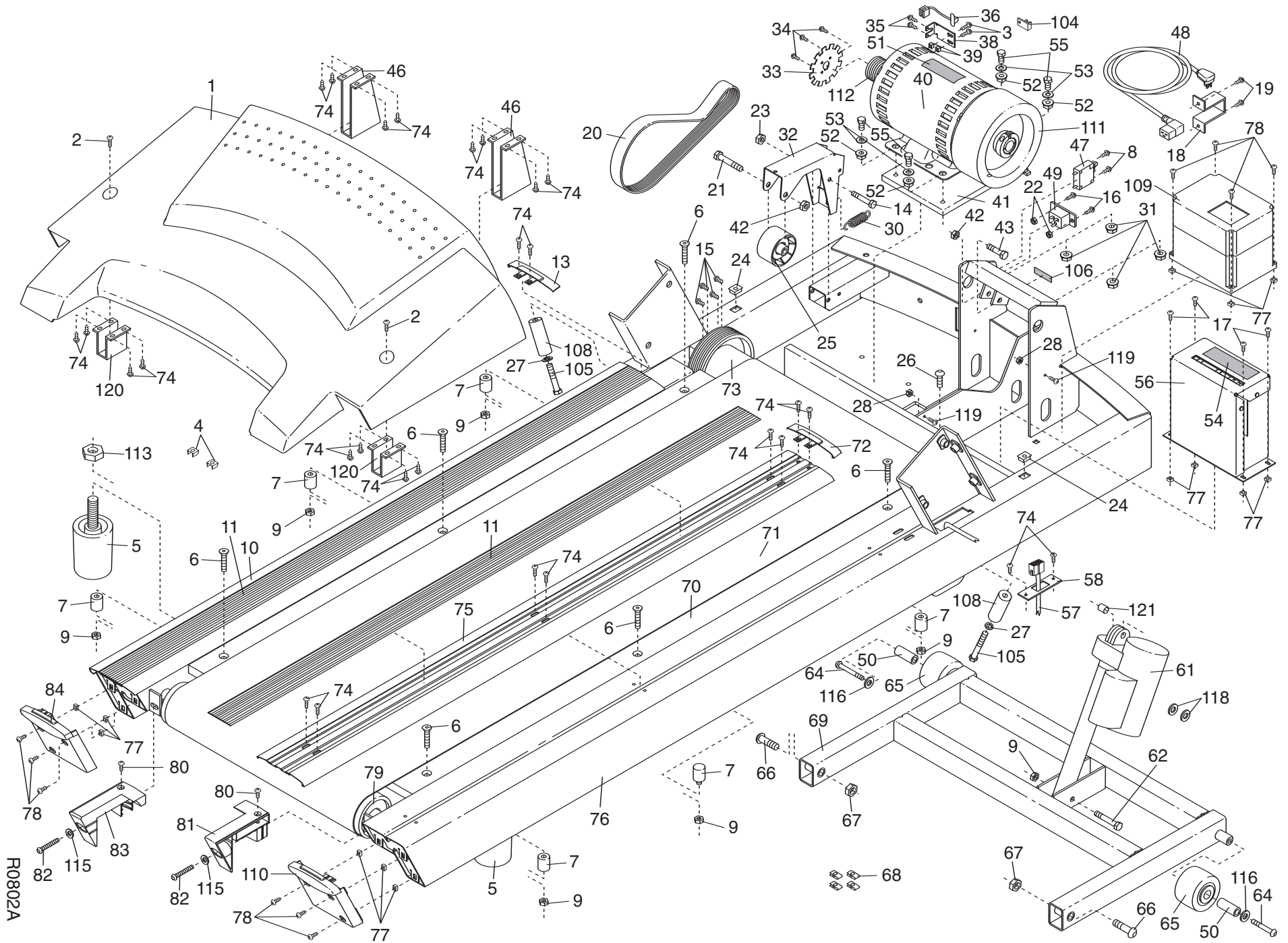


EXPLODED DRAWING—MODEL NO. CTL49020

R0802A



43



RO802A