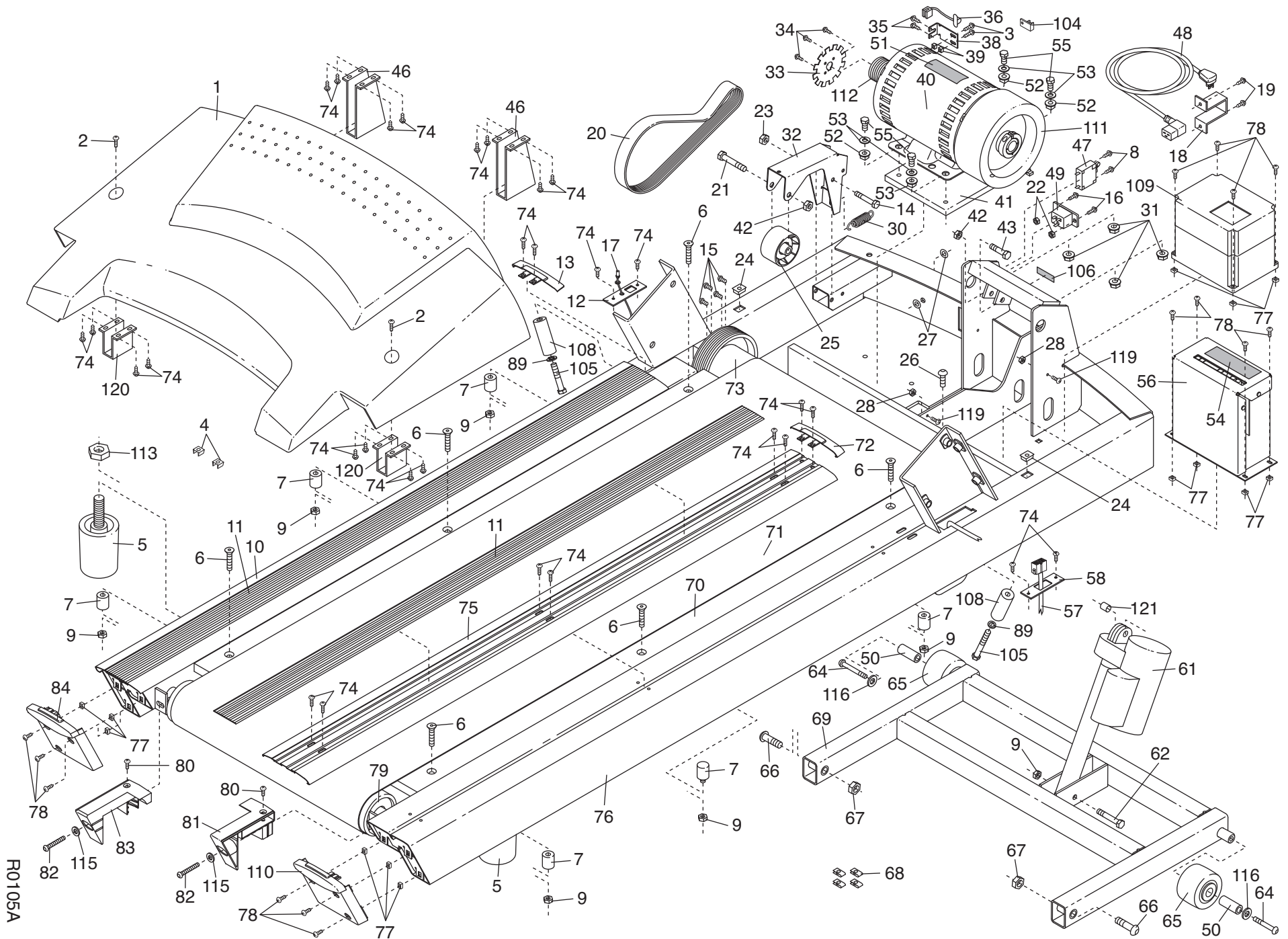




43



R0105A