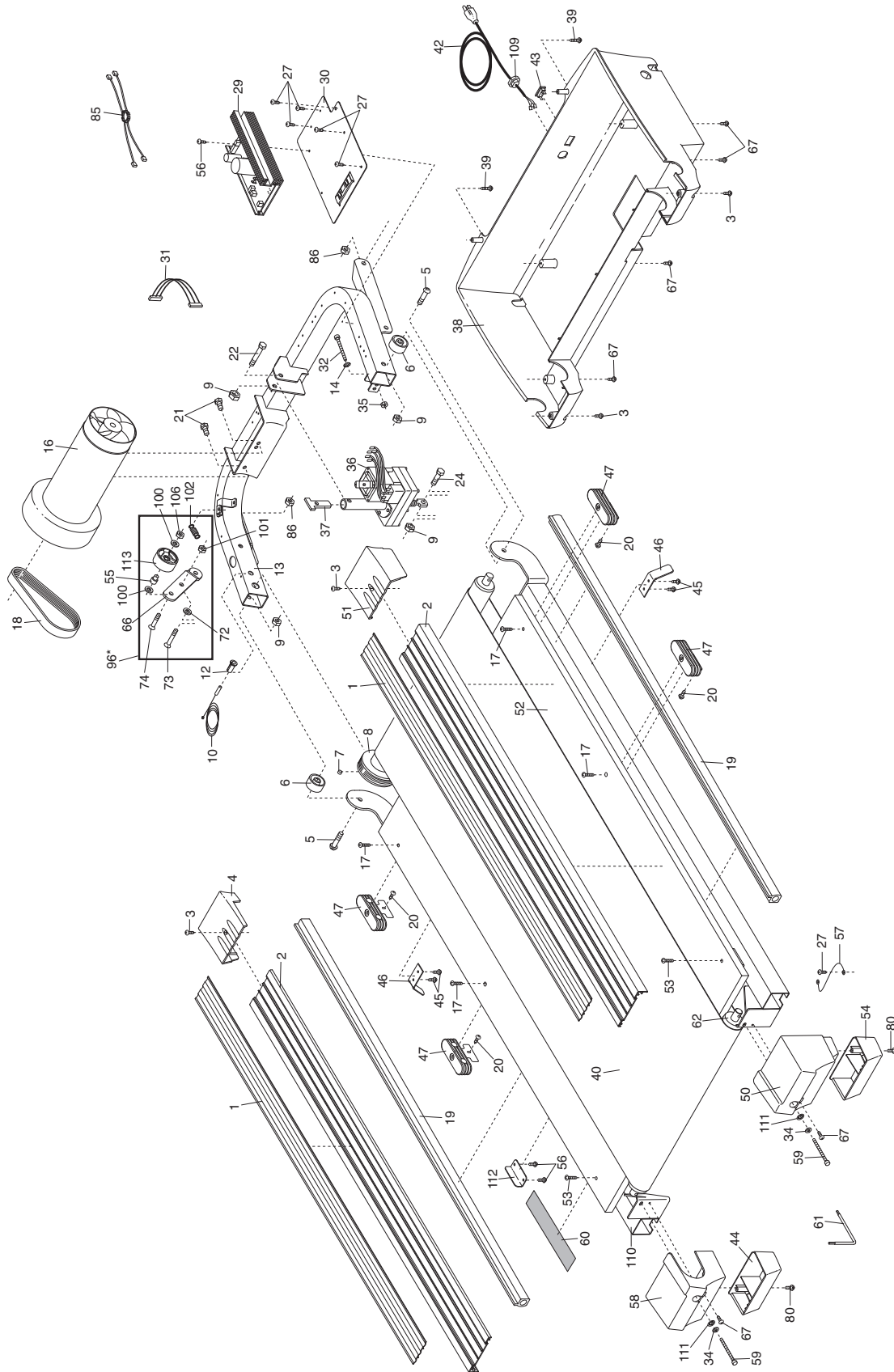


EXPLODED DRAWING—Model No. CTTL078040

R1104B



To identify the parts shown on this exploded drawing, see the PART LIST on page 23 of the User's Manual.

EXPLODED DRAWING—Model No. CTTL078040

R1104B

