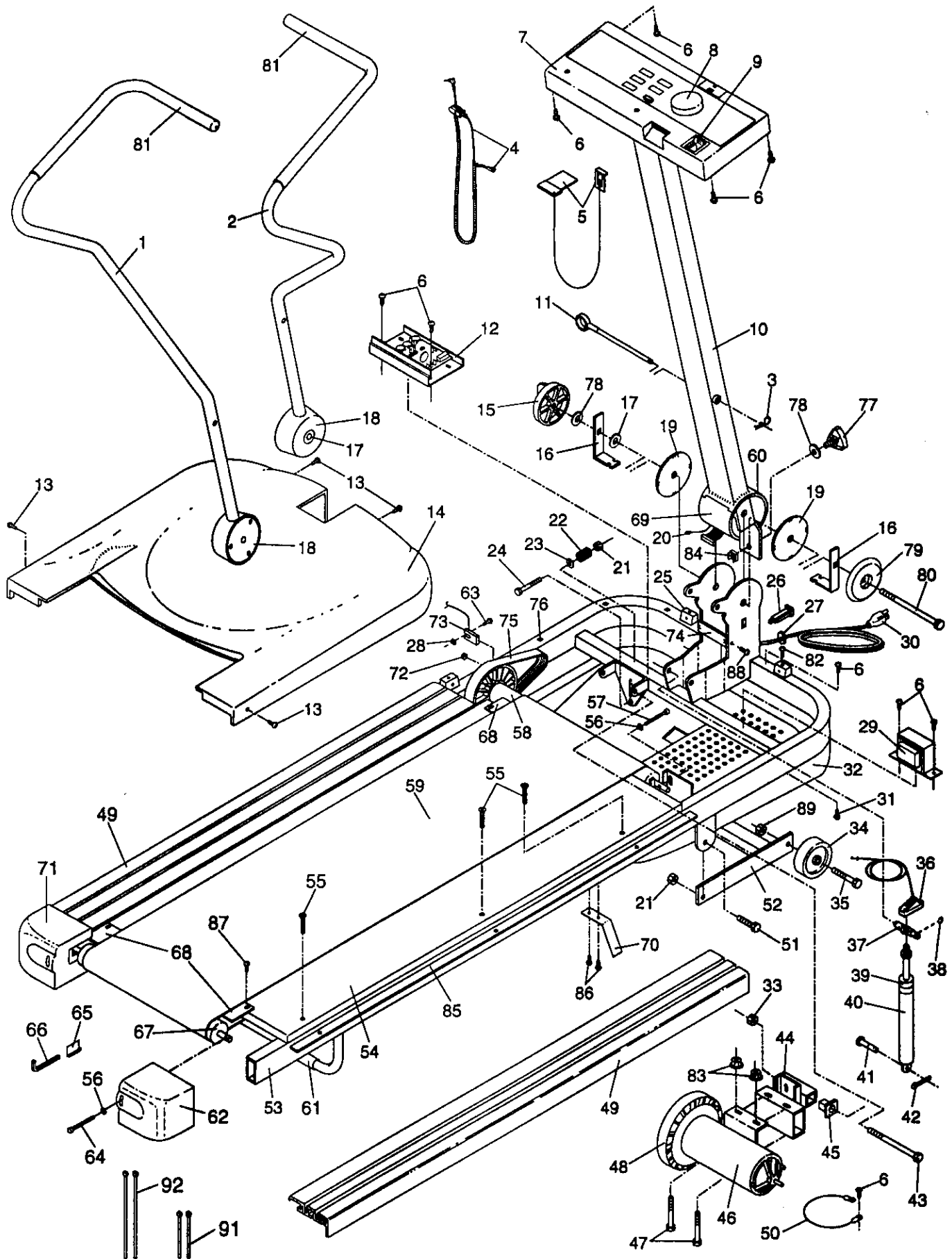


EXPLODED DRAWING—Model No. DR705027

Rev. 2/95



MODEL NUMBER: DR70502
VERSION: 07
PRODUCT NAME: PROFORM CROSSWALK
PRODUCT DESC:

MODEL/PART BOOK LISTING

PAGE 1
INI028P1
RUN DATE: 3/07/97
RUN TIME: 20:39:34

KEY NUMBER	PART NUMBER	DESCRIPTION	QUANTITY
.	.	PROFORM CROSSWALK	0
1	110824	LT UPPER BODY ARM ASSY.	1
.	.	111826 LT UPPER BODY ARM	1
.	.	112023 FOAM GRIP	1
.	.	110823 BODY ARM HOUSING	1
2	110825	RT UPPER BODY ARM ASSY.	1
.	.	111828 RT UPPER BODY ARM	1
.	.	112023 FOAM GRIP	1
.	.	110823 BODY ARM HOUSING	1
3	111114	SPRING CLIP	1
4	119946	PULSE/CLOTHES CLIP	1
5	106337	SAFETY KEY/CLIP	1
6	108080	SCREW	14
7	110254	CONSOLE ASSEMBLY	1
.	.	108590 CONSOLE	1
.	.	125151 FASTENER	1
.	.	088003 LEVER	1
.	.	110255 REPLACEMENT INSTR.	1
8	110000	SPEED CONTROL KNOB	1
9	088003	INCLINE LEVER	1
10	112969	UPRIGHT POST ASSEMBLY	1
11	124008	LOCK PIN	1
12	129854	CONTROLLER W/RI	1
13	108404	HOOD/COVER SCREW	4
14	123790	MOTOR HOOD W/DECALS	1
.	.	110083 MOTOR HOOD	1
.	.	110081 MOTOR HOOD DECAL	1
.	.	120991 WIRE DIAGRAM DECAL	1
15	109511	RESISTANCE CONTROL KNOB	1
16	110193	FRICTION BRACKET	2
17	110147	FLAT WASHER	2
18	110823	UPR BODY ARM HOUSING ASSY	2
.	.	112300 BODY ARM HOUSING	1
.	.	112348 HOUSING PAD	1
.	.	112013 PLUG	1
19	112286	FRICTION PLATE	2
20	112012	INCLINE CABLE	1
21	012082	NUT	3
22	104514	TENSION SPRING	1
23	014041	TENSION WASHER	2
24	103855	MOTOR TENSION BOLT	1
25	113106	HOOD BRACKET	3
26	109382	CIRCUIT BREAKER	1
27	019084	GROMMET	1
28	014157	REED SWITCH WASHER	1
29	031238	CHOKE	1
30	031229	POWER CORD	1
31	013282	SAFETY COVER SCREW	8
32	123712	SAFETY COVER	1
33	012056	LOCK NUT	1
34	052014	FRONT WHEEL	2
35	117806	WHEEL BOLT	2
36	088004	SHOCK RELEASE	1
37	115672	SHOCK BRACKET	1

MODEL NUMBER: DR70502
 VERSION: 07
 PRODUCT NAME: PROFORM CROSSWALK
 PRODUCT DESC:

MODEL/PART BOOK LISTING

PAGE 2
 INI023P1
 RUN DATE: 3/07/97
 RUN TIME: 20:39:34

KEY NUMBER	PART NUMBER	DESCRIPTION	QUANTITY
38	054016	E-CLIP	1
39	059019	SHOCK CUSHION	1
40	118391	INCLINE SHOCK W/RI	1
.	.	112582 INCLINE SHOCK	1
.	.	109785 REPLACEMENT INSTR.	1
41	106616	SHOCK PIN	1
42	106334	COTTER PIN	1
43	101263	MOTOR PIVOT BOLT	1
44	116812	MOTOR MOUNT BRACKET W/RI	1
.	.	117161 MOTOR MOUNT BKT	1
.	.	122470 REPLACEMENT INSTR.	1
45	115706	MOTOR MOUNT ISOLATOR	2
46	124100	MOTOR W/RI	1
.	.	124183 MOTOR	1
.	.	122471 REPLACEMENT INSTR.	1
46A	122630	MOTOR/PULY/FLY/FAN ASSY.	1
.	.	124183 MOTOR	1
.	.	108276 PULLEY/FLY/FAN ASY	1
.	.	122471 REPLACEMENT INSTR.	1
47	123385	MOTOR BOLT	2
48	108276	PULLEY/FLYWHEEL/FAN ASSY.	1
49	116506	DECK RAIL ASSEMBLY	2
.	.	113743 DECK RAIL	1
.	.	127860 NAIL	6
.	.	107103 REPLACEMENT INSTR.	1
50	114261	MOTOR GROUND WIRE	1
51	013303	INCLINE LEG BOLT	2
52	121110	INCLINE LEG	1
53	NSP	FRAME	1
54	110822	WALKING PLATFORM W/RI	1
.	.	109964 WALKING PLATFORM	1
.	.	110583 REPLACEMENT INSTR.	1
55	100691	PLATFORM SCREW	6
56	014127	ROLLER ADJUSTMENT WASHER	3
57	112609	FRONT ROLLER ADJ. BOLT	1
58	117273	FRONT ROLLER/PULLEY ASSY	1
59	126255	WALKING BELT ASSEMBLY	1
.	.	124299 WALKING BELT	1
.	.	127860 NAIL	12
.	.	110237 REPLACEMENT INSTR.	1
60	112958	UPRIGHT COVER, LONG	1
61	110407	REAR LEG PAD	1
62	112293	RIGHT ENDCAP	1
63	013300	REED SWITCH SCREW	1
64	105444	REAR ROLLER ADJ. BOLT	2
65	016028	WRENCH CLIP	1
66	045010	ALLEN WRENCH	1
67	110245	REAR ROLLER W/RI	1
.	.	070084 REAR ROLLER	1
.	.	103847 REPLACEMENT INSTR.	1
68	010206	ROLLER GUARD	3
69	112965	UPRIGHT COVER, SHORT	1
70	109265	BELT GUIDE	2
71	112292	LEFT ENDCAP	1

MODEL NUMBER: DR70502
 VERSION: 07
 PRODUCT NAME: PROFORM CROSSWALK
 PRODUCT DESC:

MODEL/PART BOOK LISTING

PAGE 3
 INI023P1
 RUN DATE: 3/07/97
 RUN TIME: 20:39:34

KEY NUMBER	PART NUMBER	DESCRIPTION	QUANTITY
72	100498	MAGNET	1
73	115569	REED SWITCH/SENSOR WIRE	1
74	121488	MECHANISM COVER	1
75	106939	BELT	1
76	016055	WIRE CLIP	4
77	017088	LOCK KNOB	1
78	014156	LOCK KNOB/CONTROL WASHER	2
79	109517	FRICTION COVER	1
80	109515	PIVOT BOLT	1
81	112023	UPPER BODY ARM FOAM GRIP	2
82	101049	HOOD BRACKET SCREW	3
83	105477	MOTOR NUT	2
84	111869	CAGE NUT	1
85	118127	PLATFORM SHIM	2
86	120866	BELT GUIDE SCREW	4
87	013162	ROLLER GUARD SCREW	3
88	109250	COVER SCREW	2
89	012108	WHEEL NUT	2
90	113203	6" CABLE GUARD	1
91	016029	4" CABLE TIE	2
92	016057	8" CABLE TIE	2
.	.	NON-ILLUSTRATED PARTS:	0
#	129418	POTENTIOMETER	1
#	NLA	BATTERY (1.5 VOLT)	2
#	110402	BATTERY COVER (SNAP-ON)	1
#	110196	FRAME DECAL	2
#	110081	MOTOR HOOD DECAL	1
#	120991	WIRE DIAGRAM DECAL	1
#	111465	FITNESS JOURNAL	1
#	121940	OWNER'S MANUAL	1
.	121937	LITERATURE PACKET	1
.	.	121940 OWNER'S MANUAL	1
.	.	111465 FITNESS JOURNAL	1
.	.	112589 PULSE/CLOTHES CLIP	1
.	.	017088 LOCK KNOB	1
.	.	112940 SILICONE	1
.	.	112817 HARDWARE KIT	1
.	.	016028 WRENCH CLIP	1
.	.	045010 ALLEN WRENCH	1
.	.	014156 LOCK KNOB WASHER	1