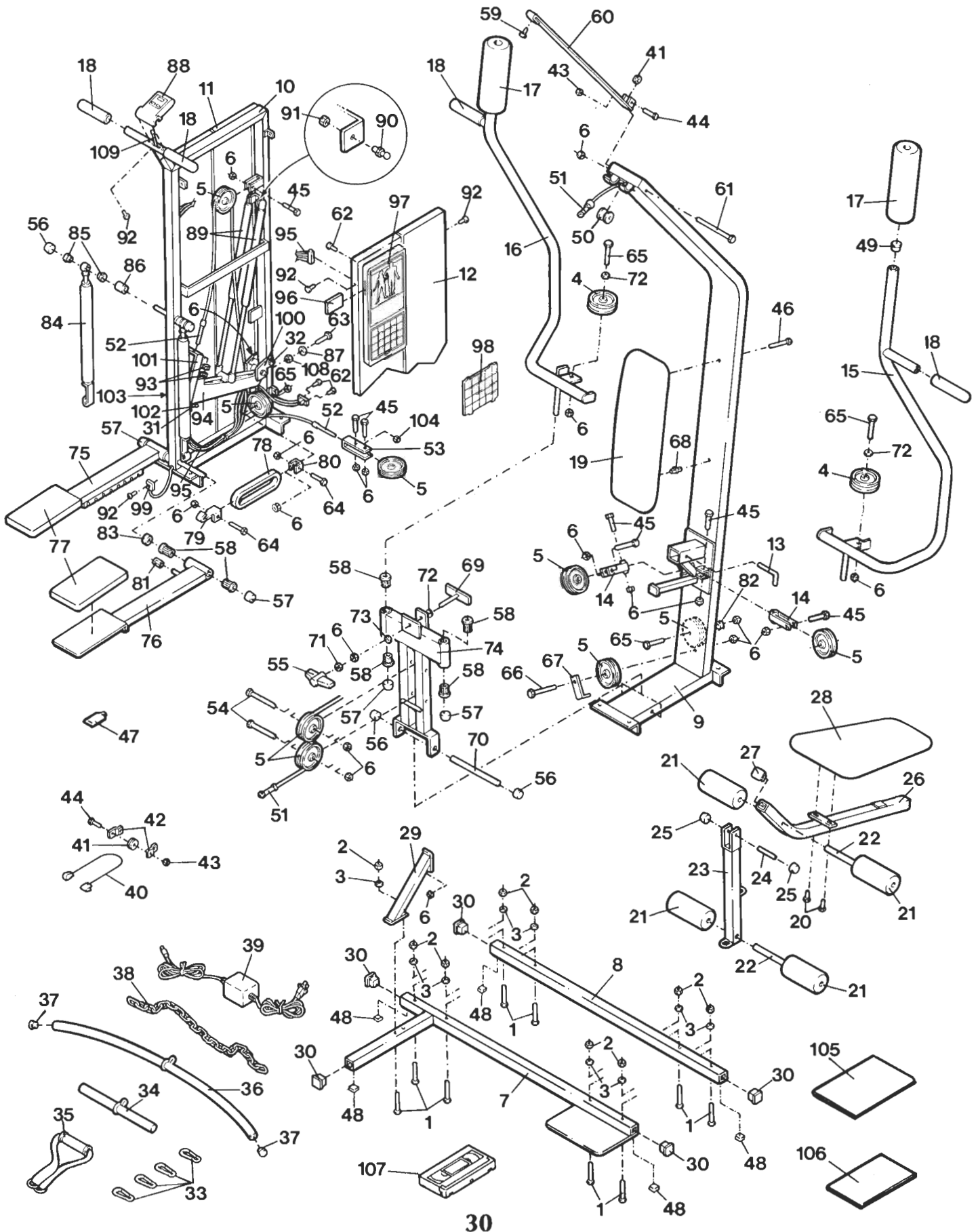


EXPLODED DRAWING—MODEL NO. DR852030

Rev. 1/94



30